

SKIL MASTERS

PROFESSIONAL POWER TOOLS

CORDLESS DRILL/DRIVER
2502 (F0152502..)
2602 (F0152602..)
2702 (F0152702..)



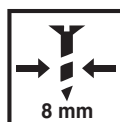
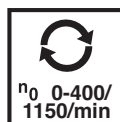
GB	ORIGINAL INSTRUCTIONS	6	RU	ОДЛИННИК РУКОВОДСТВА ПО ЭКСПЛУАТАЦИИ	62
F	NOTICE ORIGINALE	9	UA	ОРИГІНАЛЬНА ІНСТРУКЦІЯ З ЕКСПЛУАТАЦІЇ	67
D	ORIGINALBETRIEBSANLEITUNG	13	GR	ΠΡΩΤΟΤΥΠΟ ΟΔΗΓΙΩΝ ΧΡΗΣΗΣ	71
NL	ORIGINELE GEBRUIKSAANWIJZING	17	RO	INSTRUCȚIUNI DE FOLOSIRE ORIGINALE	76
S	BRUKSANVISNING I ORIGINAL	21	BG	ОРИГИНАЛНО РЪКОВОДСТВО ЗА ЕКСПЛОАТАЦИЯ	80
DK	ORIGINAL BRUGSANVISNING	25	SK	PŮVODNÝ NÁVOD NA POUŽITIE	84
N	ORIGINAL DRIFTSINSTRUKS.	28	HR	ORIGINALNE UPUTE ZA RAD	88
FIN	ALKUPERÄISET OHJEET	31	SRB	ORIGINALNO UPUTSTVO ZA RAD	92
E	MANUAL ORIGINAL	35	SLO	IZVIRNA NAVODILA	95
P	MANUAL ORIGINAL	39	EST	ALGUPÄRANE KASUTUSJUHEND	99
I	ISTRUZIONI ORIGINALI	43	LV	INSTRUKCIJĀM ORIĢINĀLVALODĀ ...	102
H	EREDETI HASZNÁLATI UTASÍTÁS	47	LT	ORIGINALI INSTRUKCIJA	106
CZ	PŮVODNÍM NÁVODEM K POUŽÍVÁNÍ ...	51			
TR	ORIJİNAL İŞLETME TALİMATI	54			
PL	INSTRUKCJA ORYGINALNA	58			

www.skileurope.com

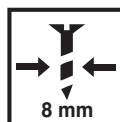
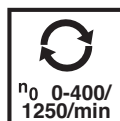


1

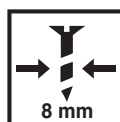
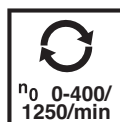
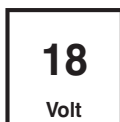
2502



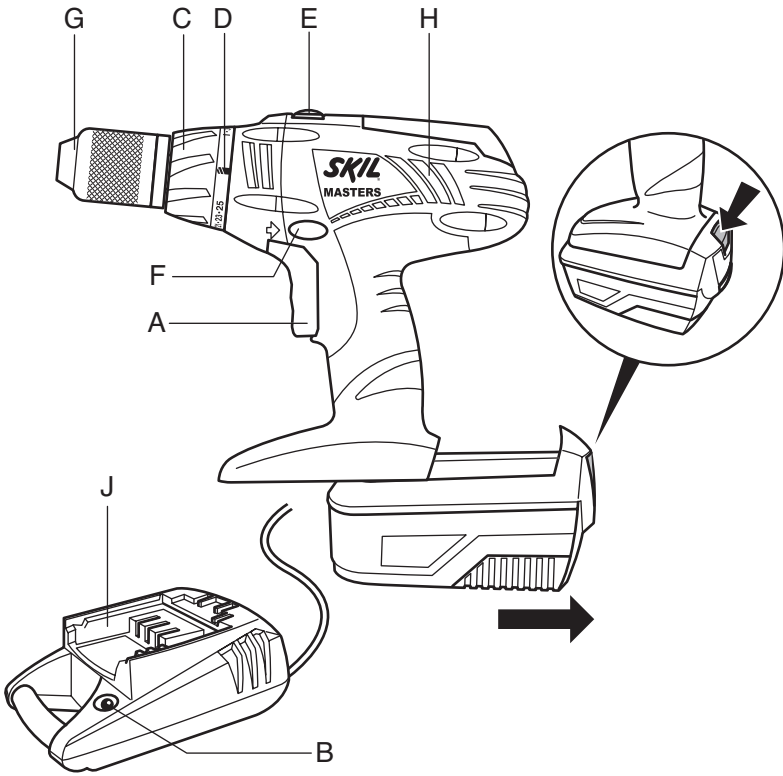
2602



2702



2



3



4

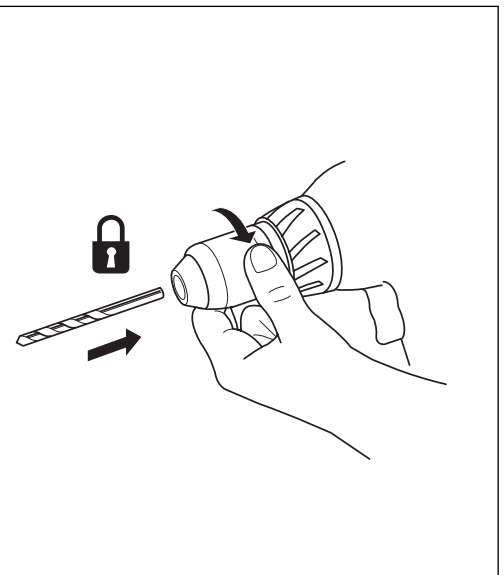
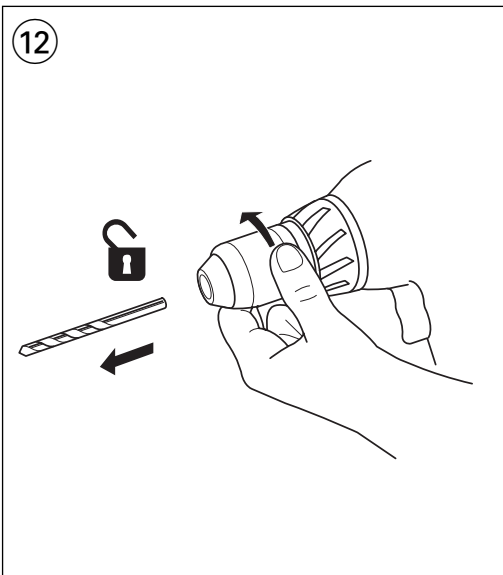
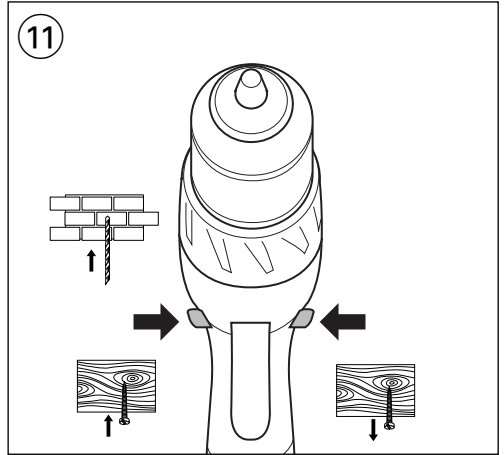
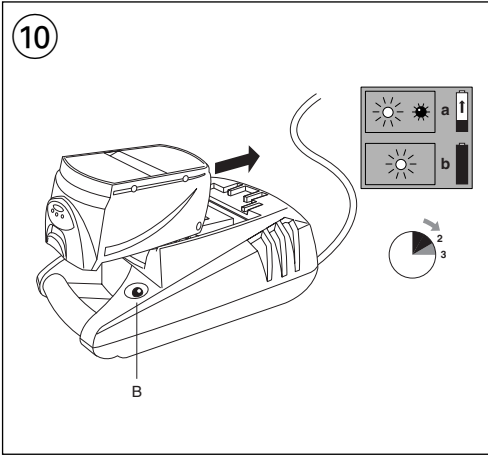
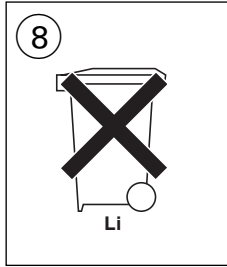
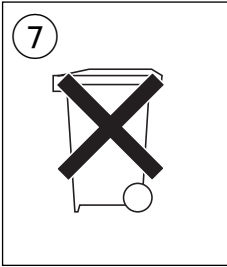


5

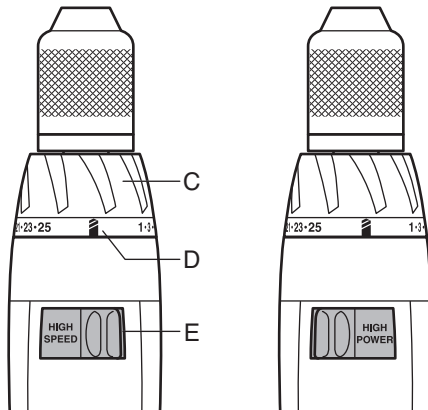


6





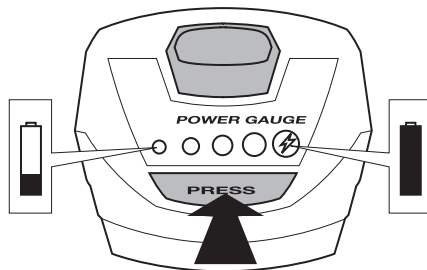
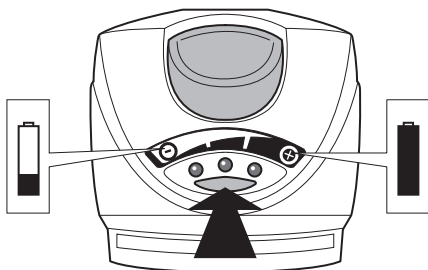
13



13

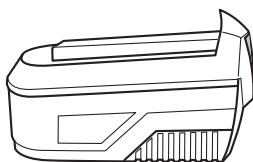
2502/2602

2702



ACCESSORIES

SKIL nr.



12 V (2502) 2,6 Ah NiMH 2607335832

14,4 V (2602) 2,6 Ah NiMH 2607335834

18 V (2702) 2,6 Ah NiMH 2607335796

Cordless drill/driver 2502/2602/2702

INTRODUCTION

- This tool is intended for drilling in wood, metal, ceramic and plastic; tools with electronic speed control and left/right rotation are also suitable for screwdriving and thread cutting
- Read and save this instruction manual ③

TECHNICAL SPECIFICATIONS ①

TOOL ELEMENTS ②

- A Switch for on/off and speed control
- B Light (charger)
- C Ring for torque control
- D Lock-position (clutch)
- E Gear selector
- F Switch for changing direction of rotation
- G Keyless chuck
- H Ventilation slots
- J Charger

SAFETY

GENERAL SAFETY INSTRUCTIONS

⚠ WARNING! Read all safety warnings and all instructions. Failure to follow the warnings and instructions may result in electric shock, fire and/or serious injury. **Save all warnings and instructions for future reference.** The term "power tool" in the warnings refers to your mains-operated (corded) power tool or battery-operated (cordless) power tool.

1) WORK AREA SAFETY

- a) **Keep work area clean and well lit.**
Cluttered or dark areas invite accidents.
- b) **Do not operate power tools in explosive atmospheres, such as in the presence of flammable liquids, gases or dust.** Power tools create sparks which may ignite the dust or fumes.
- c) **Keep children and bystanders away while operating a power tool.** Distractions can cause you to lose control.

2) ELECTRICAL SAFETY

- a) **Power tool plugs must match the outlet. Never modify the plug in any way. Do not use any adapter plugs with earthed (grounded) power tools.** Unmodified plugs and matching outlets will reduce risk of electric shock.
- b) **Avoid body contact with earthed or grounded surfaces such as pipes, radiators, ranges and refrigerators.** There is an increased risk of electric shock if your body is earthed or grounded.

- c) **Do not expose power tools to rain or wet conditions.**
Water entering a power tool will increase the risk of electric shock.

- d) **Do not abuse the cord. Never use the cord for carrying, pulling or unplugging the power tool. Keep cord away from heat, oil, sharp edges or moving parts.** Damaged or entangled cords increase the risk of electric shock.

- e) **When operating a power tool outdoors, use an extension cord suitable for outdoor use.**
Use of a cord suitable for outdoor use reduces the risk of electric shock.

- f) **If operating a power tool in a damp location is unavoidable, use an earth leakage circuit breaker.**
Use of an earth leakage circuit breaker reduces the risk of electric shock.

3) PERSONAL SAFETY

- a) **Stay alert, watch what you are doing and use common sense when operating a power tool. Do not use a power tool while you are tired or under the influence of drugs, alcohol or medication.**
A moment of inattention while operating power tools may result in serious personal injury.
- b) **Use personal protective equipment. Always wear eye protection.** Protective equipment such as dust mask, non-skid safety shoes, hard hat, or hearing protection used for appropriate conditions will reduce personal injuries.
- c) **Prevent unintentional starting. Ensure the switch is in the off-position before connecting to power source and/or battery pack, picking up or carrying the tool.** Carrying power tools with your finger on the switch or energising power tools that have the switch on invites accidents.
- d) **Remove any adjusting key or wrench before turning the power tool on.** A wrench or a key left attached to a rotating part of the power tool may result in personal injury.
- e) **Do not overreach. Keep proper footing and balance at all times.** This enables better control of the power tool in unexpected situations.
- f) **Dress properly. Do not wear loose clothing or jewellery. Keep your hair, clothing and gloves away from moving parts.** Loose clothes, jewellery or long hair can be caught in moving parts.
- g) **If devices are provided for the connection of dust extraction and collection facilities, ensure these are connected and properly used.** Use of dust collection can reduce dust-related hazards.

4) POWER TOOL USE AND CARE

- a) **Do not force the power tool. Use the correct power tool for your application.** The correct power tool will do the job better and safer at the rate for which it was designed.
- b) **Do not use the power tool if the switch does not turn it on and off.** Any power tool that cannot be controlled with the switch is dangerous and must be repaired.

- c) **Disconnect the plug from the power source and/or the battery pack from the power tool before making any adjustments, changing accessories, or storing power tools.** Such preventive safety measures reduce the risk of starting the power tool accidentally.
 - d) **Store idle power tools out of the reach of children and do not allow persons unfamiliar with the power tool or these instructions to operate the power tool.** Power tools are dangerous in the hands of untrained users.
 - e) **Maintain power tools. Check for misalignment or binding of moving parts, breakage of parts and any other condition that may affect the power tool's operation. If damaged, have the power tool repaired before use.** Many accidents are caused by poorly maintained power tools.
 - f) **Keep cutting tools sharp and clean.** Properly maintained cutting tools with sharp cutting edges are less likely to bind and are easier to control.
 - g) **Use the power tool, accessories and tool bits etc., in accordance with these instructions, taking into account the working conditions and the work to be performed.** Use of the power tool for operations different from those intended could result in a hazardous situation.
- 5) BATTERY TOOL USE AND CARE**
- a) **Recharge only with the charger specified by the manufacturer.** A charger that is suitable for one type of battery pack may create a risk of fire when used with another battery pack.
 - b) **Use power tools only with specifically designated battery packs.** Use of any other battery packs may create a risk of injury and fire.
 - c) **When battery pack is not in use, keep it away from other metal objects like paper clips, coins, keys, nails, screws, or other small metal objects that can make a connection from one terminal to another.** Shorting the battery terminals together may cause burns or a fire.
 - d) **Under abusive conditions, liquid may be ejected from the battery; avoid contact. If contact accidentally occurs, flush with water. If liquid contacts eyes, additionally seek medical help.** Liquid ejected from the battery may cause irritation or burns.
- 6) SERVICE**
- a) **Have your power tool serviced by a qualified repair person using only identical replacement parts.** This will ensure that the safety of the power tool is maintained.

SAFETY INSTRUCTIONS FOR CORDLESS DRILL/DRIVERS

- Avoid damage that can be caused by screws, nails and other elements in your workpiece; remove them before you start working
- Always check that the supply voltage is the same as the voltage indicated on the nameplate of the charger (chargers with a rating of 230V or 240V can also be connected to a 220V supply)

- In case of electrical or mechanical malfunction, immediately switch off the tool or unplug charger from power source
- SKIL can assure flawless functioning of the tool only when the correct accessories are used which can be obtained from your SKIL dealer
- Use only accessories with an allowable speed matching at least the highest no-load speed of the tool
- This tool should not be used by people under the age of 16 years
- **Secure the workpiece** (a workpiece clamped with clamping devices or in a vice is held more securely than by hand)
- **Hold the power tool only by the insulated gripping surfaces when performing an operation where the accessory may contact hidden wiring or its own power cord** (contact with a "live" wire will also make exposed metal parts of the power tool "live" and shock the operator)
- **Use suitable detectors to find hidden utility lines or call the local utility company for assistance** (contact with electric lines can lead to fire or electrical shock; damaging a gas line can result in an explosion; penetrating a water pipe will cause property damage or an electrical shock)
- **Do not work materials containing asbestos** (asbestos is considered carcinogenic)
- Dust from material such as paint containing lead, some wood species, minerals and metal may be harmful (contact with or inhalation of the dust may cause allergic reactions and/or respiratory diseases to the operator or bystanders); **wear a dust mask and work with a dust extraction device when connectable**
- Certain kinds of dust are classified as carcinogenic (such as oak and beech dust) especially in conjunction with additives for wood conditioning; **wear a dust mask and work with a dust extraction device when connectable**
- Follow the dust-related national requirements for the materials you want to work with
- Ensure that switch F (2) is in the middle (locking) position before making any adjustments or changing accessories as well as when carrying or storing the tool

CHARGING/BATTERIES

- Charge battery only with the charger that is supplied with the tool
- Do not touch the contacts in the charger
- Do not expose tool/charger/battery to rain
- Store tool/charger/battery in locations where temperature will not exceed 40°C or drop below 0°C
- Batteries will explode when disposed of in fire, so do not burn battery for any reason
- Do not use charger when damaged; take it to one of the officially registered SKIL Service Stations for a safety check
- Do not use charger when cord or plug is damaged; cord or plug should be replaced immediately at one of the officially registered SKIL Service Stations

- Do not use battery when damaged; it should be replaced immediately
- Do not disassemble charger or battery
- Do not attempt to recharge non-rechargeable batteries with the charger
- Explanation of symbols on charger/battery
 - ③ Read the instruction manual before use
 - ④ Only use the charger indoors
 - ⑤ Double insulation (no earth wire required)
 - ⑥ Incorrect polarity of the charger connection could cause a hazard (only charge the battery with the charger supplied)
 - ⑦ Do not dispose of the charger together with household waste material
 - ⑧ Do not dispose of the battery together with household waste material
 - ⑨ NiMH technology provides more energy in a less environment-polluting way

WHEN CONNECTING NEW 3-PIN PLUG (U.K. ONLY):

- Do not connect the blue (= neutral) or brown (= live) wire in the cord of the charger to the earth terminal of the plug
- If for any reason the old plug is cut off the cord of the charger, it must be disposed of safely and not left unattended

USE

- Charging battery ⑩
 - battery of new tools is not fully charged
 - plug charger into power source
 - light B will turn on
 - insert battery into charger
 - light B will blink indicating that the battery is receiving a charge ⑩a)
 - after approximately 2-3 hours the battery is fully charged and light B stays on after blinking, at which time the charger automatically switches to maintenance-charging ⑩b)
- ! **remove battery from charger after charging period has ended thereby lengthening the service life of the battery**

IMPORTANT:

- if light B does not blink after inserting a battery ⑩b), this may mean:
 - 1) that the battery is too cold or too hot (charger only charges batteries when its temperature is between 0°C and 45°C); the charger then automatically switches to maintenance-charging, until a temperature between 0°C and 45°C is reached, at which time the charger will automatically switch to normal charging
 - 2) that the battery should be replaced
- while charging, the charger and the battery may become warm to touch; this is normal and does not indicate a problem
- ensure that the outside surface of the battery is clean and dry before inserting into charger

- do not charge at temperatures below 0° C and over 40° C; this will seriously damage the battery as well as the charger
- do not remove battery from tool while it is running
- ! **a battery that is new or has not been used for a longer period does not develop its full capacity until after approximately 5 charging/discharging cycles**
- do not repeatedly recharge the battery after only a few minutes of operation; this may result in a reduction of operating time and battery efficiency
- the nickel-metalhydride battery must be kept separate from the natural environment and should not be disposed of as normal domestic waste (symbol ⑧ will remind you of this when the need for disposing occurs)
- ! **prior to disposal protect battery terminals with heavy tape to prevent short-circuit**
- if you anticipate long periods of non-use for the tool, it is best to unplug the charger from its power source
- Combined switch A ② for on/off and speed control
 - Control the speed steplessly from zero to maximum by putting less or more pressure on the trigger
- Changing direction of rotation ⑪
 - when not properly set in left/right position, switch A ② cannot be activated
- ! **change direction of rotation only when tool is at a complete standstill**
- Changing bits ⑫
 - insert the bit as deep as possible in the chuck
 - ! **do not use bits with a damaged shank**
 - ! **only use sharp bits**
- Torque control (VariTorque) ⑬
 - limits the amount of output torque delivered by the chuck (26 clutch settings)
 - output torque will increase as clutch ring C is rotated from 1 to 25; position D will lock up the clutch to permit drilling or driving heavy duty work
 - when turning in a screw, first try VariTorque position 1 and increase until the desired depth has been reached
- Mechanical gear selection ⑬
 - set selector E to desired speed
- ! **actuate the gear selector while tool is running slowly**
- HIGH POWER
 - high torque
 - for screwdriving and drilling large diameters
 - for tapping thread
- HIGH SPEED
 - lower torque
 - for drilling small diameters
- Battery level indicator ⑭
 - Shows how much energy the battery has left
- Holding and guiding the tool
 - keep ventilation slots H ② uncovered
 - do not apply too much pressure on the tool; let the tool do the work for you

APPLICATION ADVICE

- When drilling ferrous metals
 - pre-drill a smaller hole, when a large hole is required
 - lubricate drill bit occasionally with oil
- When turning in a screw at/near the cross cut end or an edge of wood, pre-drill a hole in order to avoid cracking of the wood
- For an optimal use of the tool a steady pressure on the screw is required, especially while removing
- When screwdriving in hard wood one should pre-drill a hole
- Vibration level

The vibration emission level stated at the back of this instruction manual has been measured in accordance with a standardised test given in EN 60745; it may be used to compare one tool with another and as a preliminary assessment of exposure to vibration when using the tool for the applications mentioned

- using the tool for different applications, or with different or poorly maintained accessories, may significantly **increase** the exposure level
- the times when the tool is switched off or when it is running but not actually doing the job, may significantly **reduce** the exposure level

! protect yourself against the effects of vibration by maintaining the tool and its accessories, keeping your hands warm, and organizing your work patterns

MAINTENANCE / SERVICE

- Keep tool and charger clean
 - clean charging contacts in charger with alcohol or contact cleaner
- ! unplug charger from power source before cleaning**
- If the tool/charger should fail despite the care taken in manufacturing and testing procedures, repair should be carried out by an after-sales service centre for SKIL power tools
 - send the tool or charger **undismantled** together with proof of purchase to your dealer or the nearest SKIL service station (addresses as well as the service diagram of the tool are listed on www.skileurope.com)

ENVIRONMENT

- **Do not dispose of electric tools, accessories and packaging together with household waste material** (only for EU countries)
 - in observance of European Directive 2002/96/EC on waste of electric and electronic equipment and its implementation in accordance with national law, electric tools that have reached the end of their life must be collected separately and returned to an environmentally compatible recycling facility
 - symbol ⑦ will remind you of this when the need for disposing occurs

F

Perceuse/visseuse 2502/2602/2702 sans fil

INTRODUCTION

- Cet outil est conçu pour le perçage dans le bois, le métal, la céramique et les matières plastiques; les outils avec réglage électronique de la vitesse et rotation à droite/à gauche sont également appropriés pour le vissage et le filetage
- Lisez et conservez ce manuel d'instructions ③

SPECIFICATIONS TECHNIQUES ①

ELEMENTS DE L'OUTIL ②

- A** Interrupteur de marche/arrêt et réglage de vitesse
- B** Lampe (chargeur)
- C** Anneau pour réglage du couple
- D** Position de verrouillage (anneau)
- E** Commutateur de vitesse
- F** Commutateur pour inverser le sens de rotation
- G** Mandrin auto-serrant
- H** Fentes de ventilation
- J** Chargeur

SECURITE

INSTRUCTIONS GENERALES DE SECURITE

⚠ ATTENTION! Lisez tous les avertissements de sécurité et toutes les instructions. Ne pas suivre les avertissements et instructions peut entraîner un choc électrique, un incendie et/ou de graves blessures sur les personnes. **Conservez tous les avertissements et toutes les instructions pour pouvoir s'y reporter ultérieurement.** La notion d'"outil électroportatif" dans les avertissements se rapporte à des outils électriques raccordés au secteur (avec câble de raccordement) et à des outils électriques à batterie (sans câble de raccordement).

1) SECURITE DE LA ZONE DE TRAVAIL

- Maintenez l'endroit de travail propre et bien éclairé.**
Un lieu de travail en désordre ou mal éclairé augmente le risque d'accidents.
- N'utilisez pas l'appareil dans un environnement présentant des risques d'explosion et où se trouvent des liquides, des gaz ou poussières inflammables.**
Les outils électroportatifs génèrent des étincelles risquant d'enflammer les poussières ou les vapeurs.
- Tenez les enfants et autres personnes éloignés durant l'utilisation de l'outil électroportatif.** En cas d'inattention vous risquez de perdre le contrôle sur l'appareil.

2) SECURITE RELATIVE AU SYSTEME ELECTRIQUE

- a) **La fiche de secteur de l'outil électroportatif doit être appropriée à la prise de courant. Ne modifiez en aucun cas la fiche. N'utilisez pas de fiches d'adaptateur avec des appareils avec mise à la terre.** Les fiches non modifiées et les prises de courant appropriées réduisent le risque de choc électrique.
- b) **Évitez le contact physique avec des surfaces mises à la terre telles que tuyaux, radiateurs, fours et réfrigérateurs.** Il y a un risque élevé de choc électrique au cas où votre corps serait relié à la terre.
- c) **N'exposez pas l'outil électroportatif à la pluie ou à l'humidité.** La pénétration d'eau dans un outil électroportatif augmente le risque d'un choc électrique.
- d) **N'utilisez pas le câble à d'autres fins que celles prévues, n'utilisez pas le câble pour porter l'appareil ou pour l'accrocher ou encore pour le débrancher de la prise de courant. Maintenez le câble éloigné des sources de chaleur, des parties grasses, des bords tranchants ou des parties de l'appareil en rotation.** Un câble endommagé ou torsadé augmente le risque d'un choc électrique.
- e) **Au cas où vous utiliseriez l'outil électroportatif à l'extérieur, utilisez une rallonge autorisée homologuée pour les applications extérieures.** L'utilisation d'une rallonge électrique homologuée pour les applications extérieures réduit le risque d'un choc électrique.
- f) **Si l'usage d'un outil dans un emplacement humide est inévitable, utilisez un disjoncteur de fuite à la terre.** L'utilisation d'un disjoncteur de fuite à la terre réduit le risque de choc électrique.

3) SECURITE DES PERSONNES

- a) **Restez vigilant, surveillez ce que vous faites. Faites preuve de bon sens en utilisant l'outil électroportatif. N'utilisez pas l'appareil lorsque vous êtes fatigué ou après avoir consommé de l'alcool, des drogues ou avoir pris des médicaments.** Un moment d'inattention lors de l'utilisation de l'appareil peut entraîner de graves blessures sur les personnes.
- b) **Portez des équipements de protection. Portez toujours des lunettes de protection.** Le fait de porter des équipements de protection personnels tels que masque anti-poussières, chaussures de sécurité antidérapantes, casque de protection ou protection acoustique suivant le travail à effectuer, réduit le risque de blessures.
- c) **Évitez tout démarrage intempestif. S'assurez que l'interrupteur est en position arrêté avant de brancher l'outil au secteur et/ou au bloc de batteries, de le ramasser ou de le porter.** Porter les outils en ayant le doigt sur l'interrupteur ou brancher des outils dont l'interrupteur est en position marche est source d'accidents.
- d) **Enlevez tout outil de réglage ou toute clé avant de mettre l'appareil en fonctionnement.** Une clé ou un outil se trouvant sur une partie en rotation peut causer des blessures.

- e) **Ne surestimez pas vos capacités. Veillez à garder toujours une position stable et équilibrée.** Ceci vous permet de mieux contrôler l'appareil dans des situations inattendues.
- f) **Portez des vêtements appropriés. Ne portez pas de vêtements amples ni de bijoux. Maintenez cheveux, vêtements et gants éloignés des parties de l'appareil en rotation.** Des vêtements amples, des bijoux ou des cheveux longs peuvent être happés par des pièces en mouvement.
- g) **Si des dispositifs servant à aspirer ou à recueillir les poussières doivent être utilisés, vérifiez que ceux-ci soient effectivement raccordés et qu'ils sont correctement utilisés.** L'utilisation des collecteurs de poussière réduit les dangers dus aux poussières.

4) UTILISATION ET EMPLOI SOIGNEUX DE L'OUTIL ELECTROPORTATIF

- a) **Ne surchargez pas l'appareil. Utilisez l'outil électroportatif approprié au travail à effectuer.** Avec l'outil électroportatif approprié, vous travaillerez mieux et avec plus de sécurité à la vitesse pour laquelle il est prévu.
- b) **N'utilisez pas un outil électroportatif dont l'interrupteur est défectueux.** Un outil électroportatif qui ne peut plus être mis en ou hors fonctionnement est dangereux et doit être réparé.
- c) **Débranchez la fiche de la source d'alimentation en courant et/ou le bloc de batteries de l'outil avant tout réglage, changement d'accessoires ou avant de ranger l'outil.** Cette mesure de précaution empêche une mise en fonctionnement par mégarde.
- d) **Gardez les outils électroportatifs non utilisés hors de portée des enfants. Ne permettez pas l'utilisation de l'appareil à des personnes qui ne se sont pas familiarisées avec celui-ci ou qui n'ont pas lu ces instructions.** Les outils électroportatifs sont dangereux lorsqu'ils sont utilisés par des personnes non initiées.
- e) **Prenez soin des outils électroportatifs. Vérifiez que les parties en mouvement fonctionnent correctement et qu'elles ne soient pas coincées, et contrôlez si des parties sont cassées ou endommagées de telle sorte que le bon fonctionnement de l'appareil s'en trouve entravé. Faites réparer les parties endommagées avant d'utiliser l'appareil.** De nombreux accidents sont dus à des outils électroportatifs mal entretenus.
- f) **Maintenez les outils de coupe aiguisés et propres.** Des outils soigneusement entretenus avec des bords tranchants bien aiguisés se coincent moins souvent et peuvent être guidés plus facilement.
- g) **Utilisez les outils électroportatifs, les accessoires, les outils à monter etc. conformément à ces instructions. Tenez compte également des conditions de travail et du travail à effectuer.** L'utilisation des outils électroportatifs à d'autres fins que celles prévues peut entraîner des situations dangereuses.

5) UTILISATION ET EMPLOI SOIGNEUX DES APPAREILS SANS FIL

- a) **Ne chargez les accumulateurs que dans des chargeurs recommandés par le fabricant.**
Un chargeur approprié à un type spécifique d'accumulateur peut engendrer un risque d'incendie lorsqu'il est utilisé avec d'autres accumulateurs.
- b) **Dans les outils électroportatifs, n'utilisez que les accumulateurs spécialement prévus pour celui-ci.**
L'utilisation de tout autre accumulateur peut entraîner des blessures et des risques d'incendie.
- c) **Tenez l'accumulateur non-utilisé à l'écart de toutes sortes d'objets métalliques tels qu'agrafes, pièces de monnaie, clés, clous, vis ou autres, étant donné qu'un pontage peut provoquer un court-circuit.**
Un court-circuit entre les contacts d'accu peut provoquer des brûlures ou un incendie.
- d) **En cas d'utilisation abusive, du liquide peut sortir de l'accumulateur. Évitez tout contact avec ce liquide. En cas de contact par mégarde, rincez soigneusement avec de l'eau. Au cas où le liquide rentrerait dans les yeux, consultez en plus un médecin.** Le liquide qui sort de l'accumulateur peut entraîner des irritations de la peau ou causer des brûlures.
- 6) SERVICE
- a) **Ne faites réparer votre outil électroportatif que par un personnel qualifié et seulement avec des pièces de rechange d'origine.** Ceci permet d'assurer la sécurité de l'appareil.

INSTRUCTIONS DE SECURITE POUR PERCEUSE/ VISSEUSES SANS FIL

- Faites attention aux vis, clous ou autres éléments qui pourraient se trouver dans la pièce à travailler et qui risqueraient d'endommager très fortement votre outil; enlevez-les avant de commencer le travail
- Contrôlez toujours si la tension secteur correspond à la tension indiquée sur la plaquette signalétique du chargeur (les chargeurs conçus pour une tension de 230V ou 240V peuvent également être branchés sur 220V)
- En cas d'anomalie électrique ou mécanique, coupez immédiatement l'outil ou débranchez le chargeur du secteur
- SKIL ne peut se porter garant du bon fonctionnement de cet outil que s'il a été utilisé avec les accessoires appropriés en vente chez votre distributeur SKIL
- La vitesse admissible des accessoires utilisées doit être au moins aussi élevée que la vitesse à vide maximale de l'outil
- Cet outil ne doit pas être utilisé par des personnes de moins de 16 ans
- Fixez solidement la pièce à travailler** (une pièce fixée à l'aide de dispositifs de fixation est davantage assurée que si elle était tenue à la main)

- Ne tenez l'outil électroportatif qu'aux poignées isolées, si, pendant les travaux, l'accessoire risque de toucher des câbles électriques cachés ou son propre câble d'alimentation** (le contact avec des conduites sous tension a pour conséquence une mise sous tension des parties métalliques de l'outil et provoque une décharge électrique)
- Utilisez des détecteurs appropriés afin de localiser la présence de conduites électriques ou bien s'adresser à la société locale de distribution** (un contact avec des lignes électriques peut provoquer un incendie et une décharge électrique; le fait d'endommager une conduite de gaz peut entraîner une explosion; le fait d'endommager une conduite d'eau peut entraîner des dégâts matériels ou causer une décharge électrique)
- Ne travaillez pas de matériaux contenant de l'amiante** (l'amiante est considérée comme étant cancérigène)
- La poussière de matériaux, tels que la peinture contenant du plomb, certaines espèces de bois, certains minéraux et différents métaux, peut être nocive (le contact avec la poussière ou son inhalation peut provoquer des réactions allergiques et/ou des maladies respiratoires chez l'opérateur ou des personnes se trouvant à proximité); **portez un masque antipoussières et travaillez avec un appareil de dépoussiérage lorsqu'il est possible d'en connecter un**
- Certains types de poussières sont classifiés comme étant cancérigènes (tels que la poussière de chêne ou de hêtre), en particulier en combinaison avec des additifs de traitement du bois; **portez un masque antipoussières et travaillez avec un appareil de dépoussiérage lorsqu'il est possible d'en connecter un**
- Suivez les directives nationales relatives au dépoussiérage pour les matériaux à travailler
- Vérifiez que l'interrupteur ② est en position moyen (de blocage) avant d'effectuer des réglages sur l'outil ou de changer des accessoires, ainsi qu'en transportant ou rangant l'outil

RECHARGE/BATTERIES

- Rechargez la batterie uniquement avec le chargeur fourni avec l'outil
- Ne touchez pas les contacts du chargeur
- Ne jamais exposez l'outil/le chargeur/la batterie à la pluie
- Rangez l'outil/le chargeur/la batterie dans des endroits où la température n'excède pas 40°C et ne descende pas au dessous de 0°C
- La batterie explosera si elle est jetée au feu - ne la brûlez en aucun cas
- N'utilisez jamais un chargeur endommagé; confiez-le à une des stations-service agréées SKIL que effectuera un contrôle de sécurité
- N'utilisez jamais de chargeur avec un câble ou une fiche endommagé; remplacez le câble ou la fiche au plus vite dans l'une des stations-service agréées SKIL
- Ne pas utiliser la batterie lorsque celle-ci est endommagée; remplacez-la au plus vite

- Ne démontez pas le chargeur ou la batterie
- Ne tentez pas de recharger des batteries non-rechargeables avec le chargeur
- Explication des symboles sur le chargeur/la batterie
 - ③ Veuillez lire le mode d'emploi avant d'utiliser l'outil
 - ④ N'utilisez pas le chargeur en extérieur
 - ⑤ Double-isolation (ne nécessite pas de mise à la terre)
 - ⑥ Une polarité incorrecte dans la connexion du chargeur peut entraîner un danger (charger uniquement la batterie avec le chargeur fourni)
 - ⑦ Ne jetez pas le chargeur dans les ordures ménagères
 - ⑧ Ne jetez pas la batterie dans les ordures ménagères
 - ⑨ La technologie NiMH permet d'obtenir plus d'énergie, d'une manière plus écologique

UTILISATION

- Charge de la batterie ⑩
 - dans les outils neufs la batterie n'est pas complètement chargée
 - branchez le chargeur au secteur
 - la lampe B s'allumera
 - mettez la batterie dans le chargeur
 - la lampe B clignotera indiquant que la batterie reçoit une charge (⑩.a)
 - au bout d'environ 2-3 heures la batterie est complètement chargée et la lampe B reste allumée après avoir clignoté, après quoi le chargeur revient automatiquement au mode de charge d'entretien (⑩.b)
- ! retirez la batterie du chargeur après la fin de la durée de charge rallongant ainsi la durée de vie de la batterie

IMPORTANT:

- si la lampe B ne clignote pas après insertion d'une batterie (⑩.b), cela peut signifier:
 - 1) que la batterie est trop froide ou trop chaude (le chargeur recharge uniquement des batteries quand leur température est comprise entre 0°C et 45°C); le chargeur revient automatiquement au mode de charge d'entretien, jusqu'à ce qu'une température ait atteint entre 0°C et 45°C, après quoi le chargeur reviendra automatiquement au mode de charge normal
 - 2) que la batterie soit à remplacer
- en chargeant, le chargeur et la batterie peuvent devenir chaud au toucher; cette situation est tout à fait normale et n'indique pas un problème
- s'assurez que l'extérieur de la batterie est propre et sec avant de la placer dans le chargeur
- ne jamais recharger à une température inférieure à 0°C ou supérieure à 40°C au risque de détériorer sérieusement la batterie ainsi que le chargeur
- ne pas retirez la batterie de l'outil lorsque ce dernier est en marche
- ! une batterie neuve ou une batterie qui n'a pas été utilisée pendant une période assez longue, n'atteint sa pleine puissance qu'après environ 5 cycles de charge/décharge

- ne pas recharger trop souvent la batterie si vous n'avez utilisé l'outil que quelques minutes; sinon il pourrait en résulter une réduction de la durée d'utilisation et une perte d'efficacité de la batterie
- il faut que la batterie au nickel-métalhydride est tenue éloignée de l'environnement naturel et ne s'est débarrassée pas comme ordures ménagères normales (le symbole ⑧ vous en souvient quand la nécessité du débarras se présente)
- ! avant d'envoyer les batteries au recyclage, pour éviter un éventuel court-circuit, il convient de revêtir les bornes d'un épais ruban adhésif isolant
- si vous prévoyez de ne pas utiliser l'outil pendant quelques temps, il serait préférable de débrancher le chargeur du secteur
- Interrupteur A ② conjugué marche/arrêt-contrôle de la vitesse
 - Contrôle de la vitesse de zero au maximum en appuyant plus ou moins sur la gâchette
- Inversion du sens de rotation ⑪
 - quand l'outil n'est pas réglé exactement sur la position gauche/droite, il ne peut être mis en marche
 - ! inversez uniquement le sens de rotation lorsque l'outil est à l'arrêt complet
- Changement des embouts ⑫
 - enfoncez l'embout le plus profondément possible dans le mandrin
 - ! ne pas utiliser des embouts avec une queue endommagée
 - ! utilisez seulement des embouts bien affûtés
- Réglage du couple (VariTorque) ⑬
 - limite le couple de sortie transmis par le mandrin (26 positions d'embrayage)
 - le couple de sortie augmentera si l'anneau C est passé de 1 à 25; la position D bloquera le couple pour permettre le perçage et le vissage dans des travaux durs
 - quand vous devez visser une vis, d'abord commencez en VariTorque position 1 et augmentez le couple jusqu'à la vis a atteint la profondeur désirée
- Commutateur de vitesse ⑬
 - sélectionnez la vitesse désirée avec le commutateur E
 - ! actionnez le commutateur de vitesse lorsque l'outil fonctionne lentement
- PUISSANCE ELEVEE
 - couple élevé
 - pour visser et percer de larges diamètres
 - pour fileter
- VITESSE RAPIDE
 - couple bas
 - pour percer de petits diamètres
- Indicateur de niveau de charge de la batterie ⑭
 - Pour montrer le restant d'énergie de la batterie
- Tenue et guidage de l'outil
 - veillez à ce que les fentes de ventilation H ② soient découvertes
 - ne pas appuyez trop fortement sur l'outil; laissez l'outil travailler pour vous

CONSEILS D'UTILISATION

- Quand vous percez des métaux ferreux
 - pour faire un gros trou, faites un avant-trou plus petit
 - lubrifiez le foret de temps en temps
- Quand vous devez visser une vis près d'une arête de bois ou à la fin d'une coupe transversale, il est préférable de faire un avant-trou afin d'éviter de faire craquer le bois
- Pour un usage optimal de l'outil une pression constante sur la vise est nécessaire, spécialement durant dévisser
- Quand vous devez visser une vis au bois d'œuvre, il est préférable de faire un avant-trou
- Niveau de vibrations

Le niveau de vibrations émises indiqué au dos de ce manuel d'instruction a été mesuré conformément à l'essai normalisé de la norme EN 60745; il peut être utilisé pour comparer plusieurs outils et pour réaliser une évaluation préliminaire de l'exposition aux vibrations lors de l'utilisation de l'outil pour les applications mentionnées

- l'utilisation de l'outil dans d'autres applications, ou avec des accessoires différents ou mal entretenus, peut considérablement **augmenter** le niveau d'exposition
- la mise hors tension de l'outil et sa non-utilisation pendant qu'il est allumé peuvent considérablement **réduire** le niveau d'exposition

! protégez-vous contre les effets des vibrations par un entretien correct de l'outil et de ses accessoires, en gardant vos mains chaudes et en structurant vos schémas de travail

ENTRETIEN / SERVICE APRES-VENTE

- Veillez à ce que votre outil et le chargeur soient toujours propres
 - nettoyez les contacteurs du chargeur avec de l'alcool ou un produit spécial
- ! débranchez le chargeur du secteur avant de le nettoyer**
- Si, malgré tous les soins apportés à la fabrication et au contrôle de l'outil/chargeur, celui-ci devait avoir un défaut, la réparation ne doit être confiée qu'à une station de service après-vente agréée pour outillage SKIL
 - retournez l'outil ou le chargeur **non démonté** au vendeur ou au centre de service après-vente SKIL le plus proche, en joignant la preuve d'achat (les adresses ainsi que la vue éclatée de l'outil figurent sur www.skileurope.com)

ENVIRONNEMENT

- **Ne jetez pas les outils électriques, les accessoires et l'emballage dans les ordures ménagères** (pour les pays européens uniquement)

- conformément à la directive européenne 2002/96/EG relative aux déchets d'équipements électriques ou électroniques, et à sa transposition dans la législation nationale, les outils électriques usés doivent être collectés séparément et faire l'objet d'un recyclage respectueux de l'environnement
- le symbole ⑦ vous le rappellera au moment de la mise au rebut de l'outil

D

Akku-Bohrschrauber 2502/2602/2702

ENLEITUNG

- Dieses Werkzeug ist bestimmt zum Bohren in Holz, Metall, Keramik und Kunststoff; Werkzeuge mit elektronischer Drehzahlregulierung und Rechts-/Linkslauf sind auch geeignet zum Schrauben und Gewindeschneiden
- Bitte diese Bedienungsanleitung sorgfältig lesen und aufbewahren ③

TECHNISCHE DATEN ①

WERKZEUGKOMPONENTEN ②

- A** Schalter zum Ein-Aus-Schalten und zur Drehzahlregelung
- B** Signal (Ladegerät)
- C** Ring zur Drehmoment-Kontrolle
- D** Sperrstellung (Kupplung)
- E** Gangwahlschalter
- F** Schalter zum Umschalten der Drehrichtung
- G** Schnellspann-Bohrfutter
- H** Lüftungsschlitze
- J** Ladegerät

SICHERHEIT

ALLGEMEINE SICHERHEITSHINWEISE

⚠ ACHTUNG! Lesen Sie alle Sicherheitshinweise und Anweisungen. Versäumnisse bei der Einhaltung der Sicherheitshinweise und Anweisungen können elektrischen Schlag, Brand und/oder schwere Verletzungen verursachen. **Bewahren Sie alle Sicherheitshinweise und Anweisungen für die Zukunft auf.** Der in den Sicherheitshinweisen verwendete Begriff "Elektrowerkzeug" bezieht sich auf netzbetriebene Elektrowerkzeuge (mit Netzkabel) und auf akkubetriebene Elektrowerkzeuge (ohne Netzkabel).

1) ARBEITSPLATZSICHERHEIT

- a) **Halten Sie Ihren Arbeitsbereich sauber und aufgeräumt.** Unordnung oder unbeleuchtete Arbeitsbereiche können zu Unfällen führen.

- b) **Arbeiten Sie mit dem Gerät nicht in explosionsgefährdeter Umgebung, in der sich brennbare Flüssigkeiten, Gase oder Stäube befinden.** Elektrowerkzeuge erzeugen Funken, die den Staub oder die Dämpfe entzünden können.
- c) **Halten Sie Kinder und andere Personen während der Benutzung des Elektrowerkzeugs fern.** Bei Ablenkung können Sie die Kontrolle über das Gerät verlieren.
- 2) ELEKTRISCHE SICHERHEIT**
- a) **Der Anschlussstecker des Gerätes muss in die Steckdose passen. Der Stecker darf in keiner Weise verändert werden. Verwenden Sie keine Adapterstecker gemeinsam mit geschützten Geräten.** Unveränderte Stecker und passende Steckdosen verringern das Risiko eines elektrischen Schlages.
- b) **Vermeiden Sie Körperkontakt mit geerdeten Oberflächen, wie von Rohren, Heizungen, Herden und Kühlschränken.** Es besteht ein erhöhtes Risiko durch elektrischen Schlag, wenn Ihr Körper geerdet ist.
- c) **Halten Sie das Gerät von Regen oder Nässe fern.** Das Eindringen von Wasser in ein Elektrogerät erhöht das Risiko eines elektrischen Schlages.
- d) **Zweckentfremden Sie das Kabel nicht, um das Gerät zu tragen, aufzuhängen oder um den Stecker aus der Steckdose zu ziehen. Halten Sie das Kabel fern von Hitze, Öl, scharfen Kanten oder sich bewegenden Geräteteilen.** Beschädigte oder verwickelte Kabel erhöhen das Risiko eines elektrischen Schlages.
- e) **Wenn Sie mit einem Elektrowerkzeug im Freien arbeiten, verwenden Sie nur Verlängerungskabel, die auch für den Außenbereich zugelassen sind.** Die Anwendung eines für den Außenbereich geeigneten Verlängerungskabels verringert das Risiko eines elektrischen Schlages.
- f) **Wenn der Betrieb des Elektrowerkzeuges in feuchter Umgebung nicht vermeidbar ist, verwenden Sie einen Fehlerstromschutzschalter.** Der Einsatz eines Fehlerstromschutzschalters vermindert das Risiko eines elektrischen Schlages.
- 3) SICHERHEIT VON PERSONEN**
- a) **Seien Sie aufmerksam, achten Sie darauf, was Sie tun, und gehen Sie mit Vernunft an die Arbeit mit einem Elektrowerkzeug. Benutzen Sie das Gerät nicht, wenn Sie müde sind oder unter dem Einfluss von Drogen, Alkohol oder Medikamenten stehen.** Ein Moment der Unachtsamkeit beim Gebrauch des Gerätes kann zu ernsthaften Verletzungen führen.
- b) **Tragen Sie persönliche Schutzausrüstung und immer eine Schutzbrille.** Das Tragen persönlicher Schutzausrüstung, wie Staubmaske, rutschfester Sicherheitsschuhe, Schutzhelm oder Gehörschutz, je nach Art und Einsatz des Elektrowerkzeuges, verringert das Risiko von Verletzungen.
- c) **Vermeiden Sie eine unbeabsichtigte Inbetriebnahme. Vergewissern Sie sich, dass das Elektrowerkzeug ausgeschaltet ist, bevor Sie es an die Stromversorgung und/oder den Akku anschließen, es aufnehmen oder tragen.** Wenn Sie beim Tragen des Elektrowerkzeuges den Finger am Schalter haben oder das Gerät eingeschaltet an die Stromversorgung anschließen, kann dies zu Unfällen führen.
- d) **Entfernen Sie Einstellwerkzeuge oder Schraubenschlüssel, bevor Sie das Gerät einschalten.** Ein Werkzeug oder Schlüssel, der sich in einem drehenden Geräteteil befindet, kann zu Verletzungen führen.
- e) **Überschätzen Sie sich nicht. Sorgen Sie für einen sicheren Stand und halten Sie jederzeit das Gleichgewicht.** Dadurch können Sie das Gerät in unerwarteten Situationen besser kontrollieren.
- f) **Tragen Sie geeignete Kleidung. Tragen Sie keine weite Kleidung oder Schmuck. Halten Sie Haare, Kleidung und Handschuhe fern von sich bewegenden Teilen.** Lockere Kleidung, Schmuck oder lange Haare können von sich bewegenden Teilen erfasst werden.
- g) **Wenn Staubabsaug- und -auffangeinrichtungen montiert werden können, vergewissern Sie sich, dass diese angeschlossen sind und richtig verwendet werden.** Verwendung einer Staubabsaugung verringert Gefährdungen durch Staub.
- 4) SORGFÄLTIGER UMGANG UND GEBRAUCH VON ELEKTROWERKZEUGEN**
- a) **Überlasten Sie das Gerät nicht. Verwenden Sie für Ihre Arbeit das dafür bestimmte Elektrowerkzeug.** Mit dem passenden Elektrowerkzeug arbeiten Sie besser und sicherer im angegebenen Leistungsbereich.
- b) **Benutzen Sie kein Elektrowerkzeug, dessen Schalter defekt ist.** Ein Elektrowerkzeug, das sich nicht mehr ein- oder ausschalten lässt, ist gefährlich und muss repariert werden.
- c) **Ziehen Sie den Stecker aus der Steckdose und/oder entfernen Sie den Akku, bevor Sie Geräteeinstellungen vornehmen, Zubehörteile wechseln oder das Gerät weglegen.** Diese Vorsichtsmaßnahme verhindert den unbeabsichtigten Start des Geräts.
- d) **Bewahren Sie unbenutzte Elektrowerkzeuge außerhalb der Reichweite von Kindern auf. Lassen Sie Personen das Gerät nicht benutzen, die mit diesem nicht vertraut sind oder diese Anweisungen nicht gelesen haben.** Elektrowerkzeuge sind gefährlich, wenn Sie von unerfahrenen Personen benutzt werden.
- e) **Pflegen Sie das Gerät mit Sorgfalt. Kontrollieren Sie, ob bewegliche Geräteteile einwandfrei funktionieren und nicht klemmen, ob Teile gebrochen oder so beschädigt sind, dass die Funktion des Gerätes beeinträchtigt ist. Lassen Sie beschädigte Teile vor dem Einsatz des Geräts reparieren.** Viele Unfälle haben ihre Ursache in schlecht gewarteten Elektrowerkzeugen.

- f) **Halten Sie Schneidwerkzeuge scharf und sauber.** Sorgfältig gepflegte Schneidwerkzeuge mit scharfen Schneidkanten verklemmen sich weniger und sind leichter zu führen.
- g) **Verwenden Sie Elektrowerkzeug, Zubehör, Einsatzwerkzeuge usw. entsprechend diesen Anweisungen. Berücksichtigen Sie dabei die Arbeitsbedingungen und die ausführende Tätigkeit.** Der Gebrauch von Elektrowerkzeugen für andere als die vorgesehenen Anwendungen kann zu gefährlichen Situationen führen.
- 5) SORGFÄLTIGER UMGANG UND GEBRAUCH VON AKKUGERÄTEN**
- a) **Laden Sie die Akkus nur in Ladegeräten auf, die vom Hersteller empfohlen werden.** Für ein Ladegerät, das für eine bestimmte Art von Akkus geeignet ist, besteht Brandgefahr, wenn es mit anderen Akkus verwendet wird.
- b) **Verwenden Sie nur die dafür vorgesehenen Akkus in den Elektrowerkzeugen.** Der Gebrauch von anderen Akkus kann zu Verletzungen und Brandgefahr führen.
- c) **Halten Sie den nicht benutzten Akku fern von Büroklammern, Münzen, Schlüsseln, Nägeln, Schrauben oder anderen kleinen Metallgegenständen, die eine Überbrückung der Kontakte verursachen könnten.** Ein Kurzschluss zwischen den Akkukontakten kann Verbrennungen oder Feuer zur Folge haben.
- d) **Bei falscher Anwendung kann Flüssigkeit aus dem Akku austreten. Vermeiden Sie den Kontakt damit. Bei zufälligem Kontakt mit Wasser abspülen. Wenn die Flüssigkeit in die Augen kommt, nehmen Sie zusätzlich ärztliche Hilfe in Anspruch.** Austretende Akkuflüssigkeit kann zu Hautreizungen oder Verbrennungen führen.
- 6) SERVICE**
- a) **Lassen Sie Ihr Gerät nur von qualifiziertem Fachpersonal und nur mit Original-Ersatzteilen reparieren.** Damit wird sichergestellt, dass die Sicherheit des Geräts erhalten bleibt.

SICHERHEITSHINWEISE FÜR AKKU-BOHRSCHRAUBER

- Beschädigungen durch Schrauben, Nägel und ähnliches an Ihrem Werkstück vermeiden; diese vor Arbeitsbeginn entfernen
- Stets nachprüfen, daß die Netzspannung mit der auf dem Typenschild des Ladegeräts angegebenen Spannung übereinstimmt (mit 230V oder 240V beschriftete Ladegeräte können auch an 220V betrieben werden)
- Im Falle von atypischem Verhalten oder Fremdgeräuschen schalten Sie das Werkzeug sofort aus oder ziehen Sie den Netzstecker des Ladegeräts aus der Steckdose
- SKIL kann nur dann die einwandfreie Funktion des Werkzeuges zusichern, wenn das entsprechende Zubehör verwendet wird, welches bei ihren Fachhändlern erhältlich ist

- Nur Zubehör verwenden, dessen zulässige Drehzahl mindestens so hoch ist wie die höchste Leerlaufdrehzahl des Werkzeuges
- Der Benutzer dieses Werkzeuges sollte älter als 16 Jahre sein
- **Sichern Sie das Werkstück** (ein mit Spannvorrichtungen oder Schraubstock festgehaltenes Werkstück ist sicherer gehalten als mit der Hand)
- **Fassen Sie das Elektrowerkzeug nur an den isolierten Griffflächen, wenn Sie Arbeiten ausführen, bei denen das Zubehör verborgene Stromleitungen oder das eigene Netzkabel treffen kann** (Kontakt mit einer spannungsführenden Leitung setzt auch Metallteile des Elektrowerkzeuges unter Spannung und führt zu einem elektrischen Schlag)
- **Verwenden Sie geeignete Suchgeräte, um verborgene Versorgungsleitungen aufzuspüren, oder ziehen Sie die örtliche Versorgungsgesellschaft hinzu** (Kontakt mit Elektroleitungen kann zu Feuer und elektrischem Schlag führen; Beschädigung einer Gasleitung kann zur Explosion führen; Eindringen in eine Wasserleitung verursacht Sachbeschädigung oder kann einen elektrischen Schlag verursachen)
- **Bearbeiten Sie kein asbesthaltiges Material** (Asbest gilt als krebserregend)
- Staub von Materialien wie Farbe, die Blei enthält, einigen Holzarten, Mineralien und Metall kann schädlich sein (Kontakt mit oder Einatmen des Staubs kann zu allergischen Reaktionen und/oder Atemwegskrankheiten beim Bediener oder Umstehenden führen); **tragen Sie eine Staubmaske und arbeiten Sie mit einem Staubabsaugungssystem, wenn ein solches angeschlossen werden kann**
- Bestimmte Arten von Staub sind als karzinogen klassifiziert (beispielsweise Eichen- und Buchenholzstaub), insbesondere in Verbindung mit Zusätzen für die Holzvorbehandlung; **tragen Sie eine Staubmaske und arbeiten Sie mit einem Staubabsaugungssystem, wenn ein solches angeschlossen werden kann**
- Beachten Sie die für Ihr verwendetes Verbrauchsmaterial gültigen nationalen Staubschutzvorgaben
- Stellen Sie sicher dass Schalter F ② sich in der mittel- (Schluss-) Position befindet, bevor Sie Werkzeugeinstellungen vornehmen oder Zubehör wechseln, sowie beim Tragen oder Weglegen des Werkzeuges

AUFLADEN/BATTERIEN

- Laden Sie die Batterie ausschließlich durch das mitgelieferte Ladegerät auf
- Die Kontakte im Ladegerät nicht berühren
- Setzen Sie das Werkzeug/Ladegerät/Batterie niemals dem Regen aus
- Bewahren Sie das Werkzeug/Ladegerät/Batterie stets bei Raumtemperaturen unter 40°C und über 0° auf
- Batterien werden bei Kontakt mit Feuer explodieren, die Batterien daher niemals verbrennen

- Beschädigte Ladegeräte nicht in Betrieb nehmen; bringen Sie das Gerät zwecks Überprüfung stets zu einer unserer offiziellen SKIL-Vertragswerkstätten
- Ladegerät nicht weiter verwenden, wenn Kabel oder Stecker beschädigt sind, sondern Kabel oder Netzstecker sofort ersetzen bei einer unserer offiziellen SKIL-Vertragswerkstätten
- Beschädigte Batterien nicht weiter verwenden, sondern sofort ersetzen
- Zerlegen Sie niemals das Ladegerät oder die Batterie
- Nicht versuchen, nicht-aufladbare Batterien mit dem Ladegerät zu laden
- Erklärung der Symbole auf dem Ladegerät/der Batterie
 - ③ Die Bedienungsanleitung vor dem Gebrauch lesen
 - ④ Das Ladegerät nur in Innenräumen benutzen
 - ⑤ Doppelte Isolierung (kein Erdleiter erforderlich)
 - ⑥ Eine falsche Polung beim Ladegerätschluss kann eine Gefährdung verursachen (die Batterie nur mit dem mitgelieferten Ladegerät aufladen)
 - ⑦ Das Ladegerät nicht in den Hausmüll werfen
 - ⑧ Die Batterie nicht in den Hausmüll werfen
 - ⑨ NiMH-Technologie bietet mehr Energie, ohne die Umwelt unnötig zu belasten

BEDIENUNG

- Aufladen der Batterie ⑩
 - neue Werkzeuge sind nicht aufgeladen
 - Ladegerät an die Netzspannung anschließen
 - Signal B leuchtet auf
 - die Batterie in das Ladegerät einführen
 - Signal B blinkt, womit eine Ladung angezeigt wird (⑩a)
 - nach ungefähr 2-3 Stunden Ladezeit ist die Batterie voll aufgeladen und das Blinksignal B wird dann konstant angezeigt, worauf das Ladegerät ganz automatisch auf "Erhaltladen" umschaltet (⑩b)
- ! **die Batterie sollte nach Beendigung des Ladevorganges vom Ladegerät genommen werden, womit sich die Lebensdauer der Batterie verlängert**

WICHTIG:

- falls Signal B nicht nach Einlage des Batteries blinkt (⑩b), könnte es bedeuten:
 - 1) das die Batterie zu kalt oder zu warm ist (Ladung nur möglich bei Batterie-Temperaturen zwischen 0° und 45°); das Ladegerät wird dann automatisch auf "Erhaltladen" umschalten, bis eine Temperatur zwischen 0° und 45° erreicht ist, dann schaltet das Ladegerät automatisch auf Normalladen um
 - 2) das die Batterie ersetzt werden muß
- beim Aufladen könnten Ladegerät und Batterie warm werden; dies ist normal und kein Problem
- achten Sie darauf, daß die Batterie-Außenfläche sauber und trocken ist, bevor Sie die Batterie in das Ladegerät einsetzen
- bei Temperaturen unter 0°C und über 40°C eine Ladung vermeiden; dadurch können Ladegerät und Batterie empfindlich geschädigt werden

- die Batterie darf nicht während des Betriebs des Werkzeuges abgenommen werden
 - ! **eine neue oder längere Zeit nicht verwendete Batterie bringt erst nach ungefähr 5 Lade-/Entladezyklen seine volle Leistung**
 - die Batterie sollte nicht nach jeder kurzen Benutzung des Werkzeuges immer wieder geladen werden, da dies den Verschleiß erhöhen kann
 - die Nickel-Metallhydrid Batterie muß ordnungsgemäß entsorgt werden und darf nicht in den Hausmüll gelangen (hieran soll Sie Symbol ⑧ erinnern)
 - ! **bevor Sie die Batterie entsorgen, schützen Sie die Batterieenden mit einem schweren Band, um so Kriechströme zu vermeiden**
 - wenn Sie Ihr Werkzeug lange nicht verwenden, sollten Sie den Netzstecker des Ladegeräts aus der Steckdose ziehen
 - Kombinationsschalter A ② für Ein/Aus und Geschwindigkeits-Kontrolle
 - Durch mehr oder weniger Druck auf den Schalter kann die Geschwindigkeit stufenlos von Null bis zur maximalen Drehzahl geregelt werden
 - Umschalten der Drehrichtung ⑪
 - wenn die links/rechts Position nicht richtig einrastet, kann der Schalter A ② nicht betätigt werden
 - ! **Drehrichtung nur dann umschalten, wenn das Werkzeug vollkommen stillsteht**
 - Wechseln von Bits ⑫
 - das Bit so tief wie möglich in das Bohrfutter einführen
 - ! **keine Bits mit beschädigtem Schaft benutzen**
 - ! **nur scharfe Bits verwenden**
 - Drehmoment-Kontrolle (VariTorque) ⑬
 - begrenzt das Drehmoment am Bohrfutter (26 Kupplungspositionen)
 - das Drehmoment wird erhöht indem man Kupplungsring C von 1 auf 25 dreht; in der Position D wird die Kupplung gesperrt um schwere Bohr- und Schraubarbeiten auszuführen
 - beim Eindrehen einer Schraube beginnen Sie zunächst mit der VariTorque Position 1 und erhöhen dann langsam, bis die gewünschte Tiefe erreicht ist
 - Mechanische Gangwahl ⑬
 - Schalter E auf gewünschte Drehzahl stellen
 - ! **den Gangwahlschalter betätigen während das Werkzeug langsam läuft**
- HOHE LEISTUNG
- hohes Drehmoment
 - zum Schrauben und Bohren von großen Durchmessern
 - zum Gewindebohren
- HOHE DREHZAHL
- niedriges Drehmoment
 - zum Bohren von kleinen Durchmessern
- Akkuladeanzeige ⑭
 - Gibt verbleibende Akkukapazität an
 - Halten und Führen des Werkzeuges
 - Lüftungsschlitze H ② unbedeckt halten
 - nicht zuviel Druck auf das Werkzeug ausüben; lassen Sie das Werkzeug für Sie arbeiten

ANWENDUNGSHINWEISE

- Beim Bohren in Metall
 - kleines Loch vorbohren wenn ein größeres Loch benötigt ist
 - Bits gelegentlich mit Öl einfetten
 - Beim Eindrehen einer Schraube am Ende oder Kopfstück eines Holzes sollte ein Loch vorgebohrt werden um ein Spalten des Holzes zu vermeiden
 - Für einen optimalen Gebrauch des Werkzeuges ist ein ständiger Druck auf die Schraube notwendig, besonders während des Ausschraubens
 - Beim Eindrehen einer Schraube in Hartholz sollte ein Loch vorgebohrt werden
 - Vibrationsstufe
Die im hinteren Teil dieser Bedienungsanleitung angegebene Vibrationsemissionsstufe wurde mit einem standardisierten Test gemäß EN 60745 gemessen; Sie kann verwendet werden, um ein Werkzeug mit einem anderen zu vergleichen und als vorläufige Beurteilung der Vibrationsexposition bei Verwendung des Werkzeugs für die angegebenen Anwendungszwecke
 - die Verwendung des Werkzeugs für andere Anwendungen oder mit anderem oder schlecht gewartetem Zubehör kann die Expositionsstufe erheblich **erhöhen**
 - Zeiten, zu denen das Werkzeug ausgeschaltet ist, oder wenn es läuft aber eigentlich nicht eingesetzt wird, können die Expositionsstufe erheblich **verringern**
- ! Schützen Sie sich vor den Auswirkungen der Vibration durch Wartung des Werkzeugs und des Zubehörs, halten Sie Ihre Hände warm und organisieren Sie Ihren Arbeitsablauf**

WARTUNG / SERVICE

- Halten Sie Ihr Werkzeug und Ladegerät sauber
 - säubern Sie die Kontakte des Ladegeräts entweder mit Alkohol oder Kontaktreiniger
- ! den Netzstecker des Ladegeräts aus der Steckdose ziehen, bevor Sie das Ladegerät säubern**
- Sollte das Elektrowerkzeug/Ladegerät trotz sorgfältiger Herstellungs- und Prüfverfahren einmal ausfallen, ist die Reparatur von einer autorisierten Kundendienststelle für SKIL-Elektrowerkzeuge ausführen zu lassen
 - das Werkzeug oder Ladegerät **unzerlegt**, zusammen mit dem Kaufbeleg, an den Lieferer oder die nächste SKIL-Vertragswerkstätte senden (die Anschriftenlisten so wie die Ersatzteilzeichnung des Werkzeuges finden Sie unter www.skileurope.com)

UMWELT

- **Elektrowerkzeuge, Zubehör und Verpackungen nicht in den Hausmüll werfen** (nur für EU-Länder)
 - gemäß Europäischer Richtlinie 2002/96/EG über Elektro- und Elektronik- Altgeräte und Umsetzung in nationales Recht müssen nicht mehr gebrauchsfähige Elektrowerkzeuge getrennt gesammelt und einer umweltgerechten Wiederverwertung zugeführt werden
 - hieran soll Sie Symbol ⑦ erinnern

NL

Oplaadbare boor-/ schroefmachine 2502/2602/2702

INTRODUCTIE

- Deze machine is bestemd voor het boren in hout, metaal, keramiek en kunststof; machines met elektronische toerentalregeling en rechts-/linksdraaien zijn ook geschikt voor het in- en uitdraaien van schroeven en het snijden van schroefdraad
- Lees en bewaar deze gebruiksaanwijzing ③

TECHNISCHE SPECIFICATIES ①

MACHINE-ELEMENTEN ②

- A Schakelaar voor aan/uit en toerentalregeling
- B Lampje (oplader)
- C Ring voor instellen van koppel
- D Blokkeerpositie (koppeling)
- E Toerentalschakelaar
- F Knop voor omschakelen van draairichting
- G Zelfspannende boorkop
- H Ventilatie-openingen
- J Oplader

VEILIGHEID

ALGEMENE VEILIGHEIDSVOORSCHRIFTEN

⚠ LET OP! Lees alle veiligheidswaarschuwingen en alle voorschriften. Als de waarschuwingen en voorschriften niet worden opgevolgd, kan dit een elektrische schok, brand of ernstig letsel tot gevolg hebben. **Bewaar alle waarschuwingen en voorschriften voor toekomstig gebruik.** Het in de waarschuwingen gebruikte begrip "elektrisch gereedschap" heeft betrekking op elektrische gereedschappen voor gebruik op het stroomnet (met netsnoer) en op elektrische gereedschappen voor gebruik met een accu (zonder netsnoer).

1) VEILIGHEID VAN DE WERKOMGEVING

- a) **Houd uw werkomgeving schoon en opgeruimd.**
Een rommelige of onverlichte werkomgeving kan tot ongevallen leiden.
- b) **Werk met het gereedschap niet in een omgeving met explosiegevaar waarin zich brandbare vloeistoffen, gassen of stof bevinden.**
Elektrische gereedschappen veroorzaken vonken die het stof of de dampen tot ontsteking kunnen brengen.
- c) **Houd kinderen en andere personen tijdens het gebruik van het elektrische gereedschap uit de buurt.** Wanneer u wordt afgeleid, kunt u de controle over het gereedschap verliezen.

2) ELEKTRISCHE VEILIGHEID

- a) **De aansluitstekker van het gereedschap moet in het stopcontact passen. De stekker mag in geen geval worden veranderd. Gebruik geen adapterstekkers in combinatie met geaarde gereedschappen.**
Onveranderde stekkers en passende stopcontacten beperken het risico van een elektrische schok.
- b) **Voorkom aanraking van het lichaam met geaarde oppervlakken, bijvoorbeeld van buizen, verwarmingen, fornuizen en koelkasten.**
Er bestaat een verhoogd risico door een elektrische schok wanneer uw lichaam geaard is.
- c) **Houd het gereedschap uit de buurt van regen en vocht.** Het binnendringen van water in het elektrische gereedschap vergroot het risico van een elektrische schok.
- d) **Gebruik de kabel niet voor een verkeerd doel, om het gereedschap te dragen of op te hangen of om de stekker uit het stopcontact te trekken. Houd de kabel uit de buurt van hitte, olie, scherpe randen en bewegende gereedschapsdelen.** Beschadigde of in de war geraakte kabels vergroten het risico van een elektrische schok.
- e) **Wanneer u buitenshuis met elektrisch gereedschap werkt, dient u alleen verlengkabels te gebruiken die voor gebruik buitenshuis zijn goedgekeurd.**
Het gebruik van een voor gebruik buitenshuis geschikte verlengkabel beperkt het risico van een elektrische schok.
- f) **Als het gebruik van het elektrische gereedschap in een vochtige omgeving onvermijdelijk is, dient u een aardlekschakelaar te gebruiken.** Het gebruik van een aardlekschakelaar vermindert het risico van een elektrische schok.

3) VEILIGHEID VAN PERSONEN

- a) **Wees alert, let goed op wat u doet en ga met verstand te werk bij het gebruik van het elektrische gereedschap. Gebruik het gereedschap niet wanneer u moe bent of onder invloed staat van drugs, alcohol of medicijnen.** Een moment van onoplettendheid bij het gebruik van het gereedschap kan tot ernstige verwondingen leiden.

- b) **Draag persoonlijke beschermende uitrusting en altijd een veiligheidsbril.** Het dragen van persoonlijke beschermende uitrusting zoals een stofmasker, slippvaste werkschoenen, een veiligheidshelm of gehoorbescherming, afhankelijk van de aard en het gebruik van het elektrische gereedschap, vermindert het risico van verwondingen.
 - c) **Voorom per ongeluk inschakelen. Controleer dat het elektrische gereedschap uitgeschakeld is voordat u de stekker in het stopcontact steekt of de accu aansluit en voordat u het gereedschap oppakt of draagt.** Wanneer u bij het dragen van het elektrische gereedschap uw vinger aan de schakelaar hebt of wanneer u het gereedschap ingeschakeld op de stroomvoorziening aansluit, kan dit tot ongevallen leiden.
 - d) **Verwijder instelgereedschappen of schroefsleutels voordat u het gereedschap inschakelt.** Een instelgereedschap of sleutel in een draaiend deel van het gereedschap kan tot verwondingen leiden.
 - e) **Overschakel uzelf niet. Zorg ervoor dat u stevig staat en steeds in evenwicht blijft.** Daardoor kunt u het gereedschap in onverwachte situaties beter onder controle houden.
 - f) **Draag geschikte kleding. Draag geen loshangende kleding of sieraden. Houd haren, kleding en handschoenen uit de buurt van bewegende delen.** Loshangende kleding, sieraden en lange haren kunnen door bewegende delen worden meegenomen.
 - g) **Wanneer stofafzuigings- of stofopvangvoorzieningen kunnen worden gemonteerd, dient u zich ervan te verzekeren dat deze zijn aangesloten en juist worden gebruikt.** Het gebruik van een stofafzuiging beperkt het gevaar door stof.
- ## 4) GEBUIK EN ONDERHOUD VAN ELEKTRISCHE GEREEDSCHAPPEN
- a) **Overbelast het gereedschap niet. Gebruik voor uw werkzaamheden het daarvoor bestemde elektrische gereedschap.** Met het passende elektrische gereedschap werkt u beter en veiliger binnen het aangegeven capaciteitsbereik.
 - b) **Gebruik geen elektrisch gereedschap waarvan de schakelaar defect is.** Elektrisch gereedschap dat niet meer kan worden in- of uitgeschakeld, is gevaarlijk en moet worden gerepareerd.
 - c) **Trek de stekker uit het stopcontact of neem de accu uit het elektrische gereedschap voordat u het gereedschap instelt, toebehoren wisselt of het gereedschap weglegt.** Deze voorzorgsmaatregel voorkomt onbedoeld starten van het gereedschap.
 - d) **Bewaars niet-gebruikte elektrische gereedschappen buiten bereik van kinderen. Laat het gereedschap niet gebruiken door personen die er niet mee vertrouwd zijn en deze aanwijzingen niet hebben gelezen.** Elektrische gereedschappen zijn gevaarlijk wanneer deze door onervaren personen worden gebruikt.

- e) **Verzorg het gereedschap zorgvuldig. Controleer of bewegende delen van het gereedschap correct functioneren en niet vastklemmen en of onderdelen zodanig gebroken of beschadigd zijn dat de werking van het gereedschap nadelig wordt beïnvloed. Laat beschadigde delen repareren voordat u het gereedschap gebruikt.** Veel ongevallen hebben hun oorzaak in slecht onderhouden elektrische gereedschappen.
- f) **Houd snijdende inzetgereedschappen scherp en schoon.** Zorgvuldig onderhouden snijdende inzetgereedschappen met scherpe snijkanten klemmen minder snel vast en zijn gemakkelijker te geleiden.
- g) **Gebruik elektrische gereedschappen, toebehoren, inzetgereedschappen en dergelijke volgens deze aanwijzingen. Let daarbij op de arbeidsomstandigheden en de uit te voeren werkzaamheden.** Het gebruik van elektrische gereedschappen voor andere dan de voorziene toepassingen kan tot gevaarlijke situaties leiden.

5) GEBUIK EN ONDERHOUD VAN ACCUGEREEDSCHAPPEN

- a) **Laad accu's alleen op in oplaadapparaten die door de fabrikant worden geadviseerd.** Voor een oplaadapparaat dat voor een bepaald type accu geschikt is, bestaat brandgevaar wanneer het met andere accu's wordt gebruikt.
- b) **Gebruik alleen de daarvoor bedoelde accu's in de elektrische gereedschappen.** Het gebruik van andere accu's kan tot verwondingen en brandgevaar leiden.
- c) **Voorkom aanraking van de niet-gebruikte accu met paperclips, munten, sleutels, spijkers, schroeven en andere kleine metalen voorwerpen die overbrugging van de contacten kunnen veroorzaken.** Kortsluiting tussen de accucontacten kan brandwonden of brand tot gevolg hebben.
- d) **Bij verkeerd gebruik kan vloeistof uit de accu lekken. Voorkom contact. Spoel bij onvoorzien contact met water af. Wanneer de vloeistof in de ogen komt, dient u bovendien een arts te raadplegen.** Gelekte accuvloeistof kan tot huidirritaties en verbrandingen leiden.

6) SERVICE

- a) **Laat het gereedschap alleen repareren door gekwalificeerd en vakkundig personeel en alleen met originele vervangingsonderdelen.** Daarmee wordt gewaarborgd dat de veiligheid van het gereedschap in stand blijft.

VEILIGHEIDSVORSCHRIFTEN VOOR OPLAADBARE BOOR-/SCHROEFMACHINES

- Voorkom schade, die kan ontstaan door schroeven, spijkers en andere voorwerpen in uw werkstuk; verwijder deze, voordat u aan een karwei begint
- Controleer of het voltage, dat vermeld staat op het typeplaatje van het oplaadapparaat, overeenkomt met de netspanning (met 230V of 240V aangeduide oplaadapparaten kunnen ook op 220V aangesloten worden)

- In geval van elektrische of mechanische storing, de machine onmiddellijk uitschakelen of het oplaadapparaat uit het stopcontact halen
- SKIL kan alleen een correcte werking van de machine garanderen, indien de juiste accessoires worden gebruikt, die verkrijgbaar zijn bij de vakhandel
- Gebruik alleen accessoires met een toegestaan toerental, dat minstens even hoog is als het hoogste onbelaste toerental van de machine
- Deze machine mag niet worden gebruikt door personen onder de 16 jaar
- **Zet het werkstuk vast** (een werkstuk, dat is vastgezet met klemmen of in een bankschroef, zit steviger vast dan wanneer het met de hand wordt vastgehouden)
- **Houd het elektrische gereedschap alleen vast aan de geïsoleerde greepvlakken als u werkzaamheden uitvoert waarbij het inzetgereedschap verborgen stroomleidingen of de eigen netkabel kan raken** (contact met een onder spanning staande leiding zet ook de metalen delen van het elektrische gereedschap onder spanning en leidt tot een elektrische schok)
- **Gebruik een geschikt detectieapparaat om verborgen stroom-, gas- of waterleidingen op te sporen of raadpleeg het plaatselijke energie- of waterleidingbedrijf** (contact met elektrische leidingen kan tot brand of een elektrische schok leiden; beschadiging van een gasleiding kan tot een explosie leiden; breuk van een waterleiding veroorzaakt materiële schade en kan tot een elektrische schok leiden)
- **Bewerk geen asbesthoudend materiaal** (asbest geldt als kankerverwekkend)
- Stof van materiaal zoals loodhoudende verf, sommige houtsoorten, mineralen en metaal kunnen schadelijk zijn (contact met of inademing van de stof kan allergische reacties en/of ademhalingsziekten bij gebruiker of omstanders veroorzaken); **draag een stofmasker en werk met een stofvang-voorziening als die kan worden aangesloten**
- Bepaalde soorten stof zijn geclassificeerd als kankerverwekkend (zoals stof van eiken en beuken), met name in combinatie met toevoegingsmiddelen voor houtverzorging; **draag een stofmasker en werk met een stofvang-voorziening als die kan worden aangesloten**
- Neem voor de door u te bewerken materialen de nationale voorschriften aangaande stofvang in acht
- Zorg ervoor, dat schakelaar F ② in de midden- (blokkeer-) positie staat, vóórdát u de machine instelt of accessoires verwisselt, en ook wanneer u de machine draagt of opbergt

OPLADEN/BATTERIJEN

- Laad de batterij alleen met het bijgeleverde oplaadapparaat op
- Raak de contacten in het oplaadapparaat niet aan
- Stel machine/oplaadapparaat/batterij niet bloot aan regen
- Bewaar de machine/oplaadapparaat/batterij op een plaats, waar de temperatuur niet hoger dan 40°C kan worden of onder 0°C kan zakken

- Accu's exploderen als zij in vuur worden gegooid, dus verbrand de accu in geen geval
- Gebruik het oplaadapparaat niet wanneer deze beschadigd is; breng deze naar één van de officieel aangestelde SKIL Service Stations voor een veiligheidstest
- Gebruik het oplaadapparaat niet, wanneer snoer of stekker beschadigd is; laat snoer of stekker onmiddellijk bij één van de officieel aangestelde SKIL Service Stations vervangen
- Gebruik de batterij niet, wanneer deze beschadigd is; vervang deze onmiddellijk
- Haal het oplaadapparaat of de batterij niet uit elkaar
- Niet proberen om niet-oplaadbare batterijen met het oplaadapparaat te laden
- Uitleg van symbolen op oplaadapparaat/batterij
 - ③ Lees de gebruiksaanwijzing vóór gebruik
 - ④ Gebruik het oplaadapparaat alleen binnenshuis
 - ⑤ Dubbele isolatie (geen aarddraad nodig)
 - ⑥ Aansluiting van het oplaadapparaat met een onjuiste polariteit kan gevaarlijk zijn (laad de accu uitsluitend op met het geleverde oplaadapparaat)
 - ⑦ Geef het oplaadapparaat niet met het huisvuil mee
 - ⑧ Geef de batterij niet met het huisvuil mee
 - ⑨ NiMH-technologie zorgt voor meer energie op een minder milieubelastende wijze

GEBRUIK

- Opladen batterij ⑩
 - batterij van nieuwe machines is niet volledig opgeladen
 - steek het oplaadapparaat in het stopcontact
 - lampje B gaat branden
 - steek de batterij in het oplaadapparaat
 - lampje B gaat knipperen, wat aangeeft dat de batterij opgeladen wordt (⑩ a)
 - na ongeveer 2-3 uur is de batterij volledig geladen en gaat lampje B, na het knipperen, continu branden, waarbij het oplaadapparaat automatisch op onderhoudsladen overschakelt (⑩ b)
 - ! **haal de batterij na het opladen uit het oplaadapparaat; de batterij gaat dan langer mee**
- BELANGRIJK:**
- als lampje B niet knippert nadat een batterij is geplaatst (⑩ b), kan het zijn dat:
 - 1) de batterij te koud of te warm is (het oplaadapparaat laadt batterijen alleen op, wanneer hun temperatuur tussen 0° en 45° ligt); het oplaadapparaat schakelt automatisch over op onderhoudsladen, totdat een temperatuur tussen 0° en 45° bereikt is, waarna het oplaadapparaat automatisch op normaal laden zal overschakelen
 - 2) de batterij vervangen dient te worden
 - tijdens het laden kunnen het oplaadapparaat en de batterij warm aanvoelen; dit is normaal en geen indicatie voor een probleem
 - zorg ervoor, dat de buitenkant van de batterij schoon en droog is, voordat u deze in het oplaadapparaat steekt

- laad de batterij niet op als de temperatuur lager is dan 0°C of hoger dan 40°C, omdat dit ernstige beschadiging van zowel de batterij als het oplaadapparaat tot gevolg kan hebben
 - haal de batterij niet uit de machine, wanneer deze in gebruik is
 - ! **pas een nieuwe of lang niet gebruikte batterij levert pas na ongeveer 5 oplaad-/ontlaadcycli zijn volledige capaciteit**
 - laad de batterij niet herhaaldelijk, na enkele minuten gebruik, op; dit kan krachtverlies van de batterij tot gevolg hebben
 - de nikkel-metaalhydride batterij moet uit het milieu gehouden worden en mag daarom niet in het vuilnis terecht komen (symbool ⑧ zal u in het afdankstadium hieraan herinneren)
 - ! **bescherm de batterij-contacten met stevig plakband voordat ze afgedankt worden, om kortsluiting te voorkomen**
 - als u denkt uw machine gedurende lange tijd niet te gebruiken, kunt u het best het oplaadapparaat uit het stopcontact halen
 - Gecombineerde schakelaar A ② voor aan/uit en toerentalregeling
Regel het toerental traploos van 0 tot maximum door de schakelaar dieper in te drukken
 - Omschakelen van draairichting ⑪
 - als de omkeerschakelaar niet in de uiterste stand op links/rechts staat, kan schakelaar A ② niet ingedrukt worden
 - ! **schakel alleen om als de machine volledig stilstaat**
 - Vervisselen van bits ⑫
 - plaats bit zo diep mogelijk in de boorkop
 - ! **gebruik geen bits met een beschadigde schacht**
 - ! **gebruik uitsluitend scherpe bits**
 - Instelbaar koppel (VariTorque) ⑬
 - regelt de grootte van het afgegeven koppel (26 instelmogelijkheden)
 - het afgegeven koppel zal toenemen als koppelingring C wordt versteld van positie 1 naar positie 25; in positie D is de koppeling geblokkeerd, hetgeen zware schroefwerkzaamheden en boren mogelijk maakt
 - voor het indraaien van schroeven met VariTorque positie 1 beginnen en het koppel verhogen, totdat de gewenste diepte is bereikt
 - Mechanische toerentalkeuze ⑬
 - zet schakelaar E op het gewenste toerental
 - ! **bedien de toerentalschakelaar alleen als de machine langzaam loopt**
- HOOG VERMOGEN**
- hoog koppel
 - voor schroeven en boren van grote diameters
 - voor draadtappen
- HOOG TOERENTAL**
- lager koppel
 - voor boren van kleine diameters

- Batterijniveau-indicator ¹⁴
Toont het energieniveau van de batterij
- Vasthouden en leiden van de machine
 - houd ventilatie-openingen H ² onbedekt
 - oefen niet te veel druk uit; laat de machine het werk voor u doen

TOEPASSINGSADVIES

- Bij het boren van harde metalen
 - een kleiner gat voorboren, wanneer een groot gat nodig is
 - vet de boorpunt af en toe met olie in
- Altijd een gat voorboren bij het schroeven in/vlakbij de kopse- of zijkant van hout
- Voor een optimaal gebruik van uw machine is het nodig stevig op de schroef te drukken, met name bij uitdraaien
- Voor het indraaien van schroeven in hard hout dient een gat voorgeboord te worden
- Trillingsniveau
Het trillingsemissieniveau, dat achterin deze gebruiksaanwijzing wordt vermeld, is gemeten in overeenstemming met een gestandaardiseerde test volgens EN 60745; deze mag worden gebruikt om twee machines met elkaar te vergelijken en als voorlopige beoordeling van de blootstelling aan trilling bij gebruik van de machine voor de vermelde toepassingen
 - gebruik van de machine voor andere toepassingen, of met andere of slecht onderhouden accessoires, kan het blootstellingsniveau aanzienlijk **verhogen**
 - wanneer de machine is uitgeschakeld of wanneer deze loopt maar geen werk verricht, kan dit het blootstellingsniveau aanzienlijk **reduceren**

! bescherm uzelf tegen de gevolgen van trilling door de machine en de accessoires te onderhouden, uw handen warm te houden en uw werkwijze te organiseren

ONDERHOUD / SERVICE

- Houd machine en oplaadapparaat schoon
 - maak de laadcontactpunten van het oplaadapparaat schoon met alcohol of speciaal contactpunten-schoonmaakmiddel

! haal het oplaadapparaat uit het stopcontact voordat u deze schoonmaakt
- Mocht de machine/het oplaadapparaat ondanks zorgvuldige fabricage- en testmethoden toch defect raken, dient de reparatie te worden uitgevoerd door een erkende klantenservice voor SKIL elektrische gereedschappen
 - stuur de machine of het oplaadapparaat **ongedemonteerd**, samen met het aankoopbewijs, naar het verkoopadres of het dichtstbijzijnde SKIL service-station (de adressen evenals de onderdeeltekening van de machine vindt u op www.skileurope.com)

MILIEU

- **Geef electrisch gereedschap, accessoires en verpakkingen niet met het huisvuil mee** (alleen voor EU-landen)
 - volgens de Europese richtlijn 2002/96/EG inzake oude elektrische en elektronische apparaten en de toepassing daarvan binnen de nationale wetgeving, dient afgedankt electrisch gereedschap gescheiden te worden ingezameld en te worden afgevoerd naar een recycle-bedrijf, dat voldoet aan de geldende milieu-eisen
 - symbool ⁷ zal u in het afdankstadium hieraan herinneren

S

Sladdlös bormaskin/ 2502/2602/2702 skruvdragare

INTRODUKTION

- Maskinen är avsedd för borring i trä, metall, keramik och plast; maskiner med elektronisk varvvalsreglering och höger-/ vänstergång är även lämpliga för skruvdragning och gängskärning
- Läs och spara denna instruktionsbok ³

TEKNISKA DATA ¹

VERKTYGSELEMENT ²

- A Strömbrytare för till/från och varvvalsreglering
- B Lampa (laddare)
- C Ring för justering av vridmoment
- D Låst läge (koppling)
- E Växellägesomkopplare
- F Omkopplare för reversering av rotationsriktningen
- G Snabbchuck
- H Ventilationsöppningar
- J Laddare

SÄKERHET

ALLMÄNNA SÄKERHETSINSTRUKTIONER

⚠ OBS! Läs noga igenom alla anvisningar. Fel som uppstår till följd av att anvisningarna nedan inte följts kan orsaka elstöt, brand och/eller allvarliga kroppsskador. **Förvara alla varningar och anvisningar för framtida bruk.** Nedan använt begrepp "elverktyg" hänförs sig till nätdrivna elverktyg (med nätsladd) och till batteridrivna elverktyg (sladdlösa).

1) ARBETSPLATSSÄKERHET

- a) **Håll arbetsplatsen ren och välbelyst.** Oordning på arbetsplatsen eller dåligt belyst arbetsområde kan leda till olyckor.

- b) **Använd inte elverktyget i explosionsfarlig omgivning med brännbara vätskor, gaser eller damm.** Elverktygen alstrar gnistor som kan antända dammet eller gaserna.
- c) **Håll under arbetet med elverktyget barn och obehöriga personer på betryggande avstånd.** Om du störs av obehöriga personer kan du förlora kontrollen över elverktyget.
- 2) ELEKTRISK SÄKERHET**
- a) **Elverktygets stickpropp måste passa till vägguttaget. Stickproppen får absolut inte förändras. Använd inte adapterkontakter tillsammans med skyddsjordade elverktyg.** Oförändrade stickproppar och passande vägguttag reducerar risken för elektriskt slag.
- b) **Undvik kroppskontakt med jordade ytor som t. ex. rör, värmeelement, spisar och kylskåp.** Det finns en större risk för elektriskt slag om din kropp är jordad.
- c) **Skydda elverktyget mot regn och väta.** Tränger vatten in i ett elverktyg ökar risken för elektriskt slag.
- d) **Missbruka inte nätsladden och använd den inte för att bära eller hänga upp elverktyget och inte heller för att dra stickproppen ur vägguttaget. Håll nätsladden på avstånd från värme, olja, skarpa kanter och rörliga maskindelar.** Skadade eller tillrasslade ledningar ökar risken för elektriskt slag.
- e) **När du arbetar med ett elverktyg utomhus använd endast förlängningsladdar som är godkända för utomhusbruk.** Om en lämplig förlängningsladd för utomhusbruk används minskar risken för elektriskt slag.
- f) **Använd en jordfelsbrytare om det inte är möjligt att undvika elverktygets användning i fuktig miljö.** Genom att använda en jordfelsbrytare minskas risken för elstöt.
- 3) PERSONSÄKERHET**
- a) **Var uppmärksam, kontrollera vad du gör och använd elverktyget med förnuft. Använd inte elverktyget när du är trött eller om du är påverkad av droger, alkohol eller mediciner.** Under användning av elverktyg kan även en kort uppmärksamhet leda till allvarliga kroppsskador.
- b) **Bär alltid personlig skyddsutrustning och skyddsglasögon.** Användning av personlig skyddsutrustning som t. ex. dammfiltermask, halkfria säkerhetsskor, skyddshjälm och hörselskydd reducerar alltefter elverktygets typ och användning risken för kroppsskada.
- c) **Undvik oavsiktlig igångsättning. Kontrollera att elverktyget är fränkopplat innan du ansluter stickproppen till vägguttaget och/eller ansluter/tar bort batteriet, tar upp eller bär elverktyget.** Om du bär elverktyget med fingret på strömställaren eller ansluter fränkopplat elverktyg till nätströmmen kan olycka uppstå.
- d) **Ta bort alla inställningsverktyg och skruvnycklar innan du kopplar på elverktyget.** Ett verktyg eller en nyckel i en roterande komponent kan medföra kroppsskada.
- e) **Överskatta inte din förmåga. Se till att du står stadigt och håller balansen.** I detta fall kan du lättare kontrollera elverktyget i oväntade situationer.
- f) **Bär lämpliga kläder. Bär inte löst hängande kläder eller smycken. Håll håret, kläderna och handskarna på avstånd från rörliga delar.** Löst hängande kläder, smycken och långt hår kan dras in av roterande delar.
- g) **Vid elverktyg med dammsugnings- och - uppsamlingsutrustning kontrollera att anordningarna är rätt monterade och används på korrekt sätt.** Användning av dammsugning minskar de risker damm orsakar.
- 4) OMSORGSFULL HANTERING OCH ANVÄNDNING AV ELVERKTYG**
- a) **Överbelasta inte elverktyget. Använd för aktuellt arbete avsett elverktyg.** Med ett lämpligt elverktyg kan du arbeta bättre och säkrare inom angivet effektområde.
- b) **Ett elverktyg med defekt strömställare får inte längre användas.** Ett elverktyg som inte kan kopplas in eller ur är farligt och måste repareras.
- c) **Dra stickproppen ur vägguttaget och/eller ta bort batteriet innan inställningar utförs, tillbehörsdelar byts ut eller elverktyget lagras.** Denna skyddsåtgärd förhindrar oavsiktlig inkoppling av elverktyget.
- d) **Förvara elverktygen oåtkomliga för barn. Låt elverktyget inte användas av personer som inte är förtrogna med dess användning eller inte läst denna anvisning.** Elverktygen är farliga om de används av oerfarna personer.
- e) **Sköt elverktyget omsorgsfullt. Kontrollera att rörliga komponenter fungerar felfritt och inte kärvar, att komponenter inte brustit eller skadats; orsaker som kan leda till att elverktygets funktioner påverkas menligt. Låt skadade delar repareras innan elverktyget återanvänds.** Många olyckor orsakas av dåligt skötta elverktyg.
- f) **Håll skärverktygen skarpa och rena.** Omsorgsfullt skötta skärverktyg med skarpa eggar kommer inte så lätt i kläm och går lättare att styra.
- g) **Använd elverktyget, tillbehör, insatsverktyg osv. enligt dessa anvisningar. Ta hänsyn till arbetsvillkoren och arbetsmomenten.** Används elverktyget på icke ändamålsenligt sätt kan farliga situationer uppstå.
- 5) OMSORGSFULL HANTERING OCH ANVÄNDNING AV SLADDLÖSA ELVERKTYG**
- a) **Ladda batterierna endast i de laddare som tillverkaren rekommenderat.** Om en laddare som är avsedd för en viss typ av batterier används för andra batterityper finns risk för brand.
- b) **Använd endast batterier som är avsedda för aktuellt elverktyg.** Används andra batterier finns risk för kroppsskada och brand.
- c) **Håll gem, mynt, nycklar, spikar, skruvar och andra små metallföremål på avstånd från reservbatterier för att undvika en bygling av kontaktarna.** En kortslutning av batteriets kontakter kan leda till brännskador eller brand.

- d) **Om batteriet används på fel sätt finns risk för att vätska rinner ur batteriet. Undvik kontakt med vätskan. Vid oavsiktlig kontakt spola med vatten. Om vätska kommer i kontakt med ögonen uppsök dessutom läkare.** Batterivätskan kan medföra hudirritation eller brännskada.

6) SERVICE

- a) **Låt elverktyget repareras endast av kvalificerad fackpersonal och med originalreservdelar.** Detta garanterar att elverktygets säkerhet upprätthålls.

SÄKERHETSANVISNINGAR FÖR SLADDLÖS BORRMASKIN/SKRUVDRAGAR

- Undvik skador genom att ta bort skruvar, spikar eller andra föremål ur arbetsstycket; ta dem bort innan du startar ett arbete
- Kontrollera alltid att den tillförda strömtypen stämmer med spänningen som anges på laddarens märkplåt (laddarer med beteckningen 230V eller 240V kan även anslutas till 220V)
- I händelse av onormala elektriska eller mekaniska störningar, stäng genast av maskinen eller dra ur laddarens stickpropp från elurtaget
- SKIL kan endast garantera att maskinen fungerar felfritt om rätt tillbehör används som du kan köpa hos närmaste SKIL-återförsäljare
- Använd endast tillbehör vilkas tillåtna varvtal åtminstone motsvarar maskinens högsta tomgångsvarvtal
- Den här maskinen ska inte användas av personer under 16 år
- **Sätt fast arbetsstycket** (ett arbetsstycke fastsatt med skruvtingar eller i ett skruvstöd är mera stabilt än om det hålls fast för hand)
- **Håll fast elverktyget endast vid de isolerade handtagen när arbeten utförs på ställen där insatsverktyget kan skada dolda elledningar eller egen nätsladd** (om elverktyget kommer i kontakt med en spänningsförande ledning sätts elverktygets metalldelar under spänning som sedan leder till elstöt)
- **Använd lämpliga detektorer för lokalisering av dolda försörjningsledningar eller konsultera lokalt distributionsföretag** (kontakt med elledningar kan förorsaka brand och elstöt; en skadad gasledning kan leda till explosion; borrhning i vattenledning kan förorsaka saksador eller elstöt)
- **Asbesthaltigt material får inte bearbetas** (asbest anses vara cancerframkallande)
- Viss typ av damm, exempelvis färg som innehåller bly, vissa träsorter, mineraler och metaller kan vara hälsovådliga om de inhaleras (hudkontakt eller inhalering kan ge allergisk reaktion och/eller luftvägsproblem/sjukdom hos personer i närheten); **använd andningsskydd och arbeta med en dammuppsamlare om sådan anslutning finns**
- Vissa typer av damm är klassificerade så som carcinogena (t.ex. ek- och björkdamm) särskilt i kombination med tillsatser för träbehandling; **använd andningsskydd och arbeta med en dammuppsamlare om sådan anslutning finns**

- Följ de nationella krav, som finns angående damm, för de material du skall arbeta med
- Kontrollera att strömbrytare F (2) är i mellan position (låst läge) innan inställningar utförs eller tillbehörskontroll byts eller maskinen transporteras eller lagras

LADDNING/BATTERIERNAS

- Ladda endast batteriet med den medföljande laddaren
- Rör inte kontakten i laddaren
- Utsätt inte maskinen/laddaren/batteriet för regn
- Förvara maskinen/laddaren/batteriet i lokaler, där temperaturen inte överstiger 40°C eller faller under 0°C
- Batterierna kan explodera om de utsätts för eld, undanhåll batterierna från heta källor
- Anslut aldrig trasig laddare; lämna dem till en auktoriserad SKIL serviceverkstad för säkerhetskontroll
- Använd ej laddaren när sladd eller stickpropp är trasig; sladd eller stickpropp skall omedelbart bytas ut på någon av SKIL's auktoriserade serviceverkstäder
- Använd aldrig trasig batteriet; de skall omedelbart bytas ut
- Försök ej ta isär laddaren eller batteriet
- Ej återuppladdningsbara batterier får ej uppladdas med laddaren
- Förklaring av symbolerna på laddaren/batteriet
 - ③ Läs bruksanvisningen före användning
 - ④ Använd laddaren enbart inomhus
 - ⑤ Dubbel isolering (ingen jordning krävs)
 - ⑥ Fel polanslutning av laddarkontakten kan vara farligt (ladda batteriet enbart i originalladdaren)
 - ⑦ Laddaren får inte kastas i hushållssoporna
 - ⑧ Batteriet får inte kastas i hushållssoporna
 - ⑨ NiMH-teknik ger mer energi på ett miljövänligare sätt

ANVÄNDNING

- Laddning av batteriet (10)
 - när maskinen leveras är batteriet inte fullt laddat
 - anslut laddaren till ett elurtag
 - lampa B tänds
 - sätt i batteriet i laddaren
 - den lampan B blinkar vilket indikerar att batteriet erhåller laddning (10a)
 - efter ca. 2-3 timmar är batteriet fulladdat och den lampan B slutar blinka och ger ett fast rött sken, då laddaren automatiskt övergår till underhållsladdning (10b)
- ! **ta bort batteriet från laddaren, efter laddningsstiden förflutit; därmed förlängs livslängd av batteriet**
- VIKTIGA:
 - om den lampan B ej blinkar efter isättning av batteriet (10b), kan detta bero på följande orsaker:
 - 1) att batteriet är för kallt eller för varmt (laddaren laddar endast batteriet vid en temperatur mellan 0°C och 45°C); laddaren slår då automatiskt över till underhållsladdning tills en temperatur mellan 0°C och 45°C är uppnådd och efter detta går laddaren automatiskt över till normalladdning
 - 2) att batteriet är förbrukat och bör ersättas

- under laddning kan laddaren och batteriet kännas varmt vid vidröring; detta är normalt och indikerar ej fel
- kontrollera att batteriets utsida är ren och torr innan du placerar det i laddaren
- ladda inte då temperaturen ligger under 0°C och över 40°C eftersom detta allvarligt kan skada batteriet och laddaren
- tag ej bort batteriet från maskinen när den är igång
- ! **en ny eller under en längre tid inte använd batteri uppstår först efter ca. 5 laddnings- / urladdningscykler full kapacitet**
- återuppladda inte batteriet efter endast några få minuters användning; att göra så kan resultera i minskad verkningsgrad och effektivitet
- nickelmetallhydrid batteriet måste hållas ifrån vår miljö och får således inte kastas som vanligt hushållsavfall (symbolen ⑧) kommer att påminna om detta när batteriet är slut)

! **före avyttring av batterierna, tejpa kontaktytorna med kraftig tejp för att undvika kortslutning**

- om Du räknar med att ej använda Ditt maskin under en lång tid är det bäst att dra ur laddarens stickpropp från elurtaget
- Kombinerad strömbrytare A ② för till/från och hastighetskontroll
Du kan variera hastigheten steglöst från noll till maximum genom att trycka mer eller mindre på avtryckaren
- Reversering av rotationsriktningen ①①
- om inte vänster/höger är inställt i rätt läge, kan inte strömbrytaren A ② tryckas in
- ! **ändra rotationsriktningen när maskinen är helt stilla**
- Byte av bits ⑫
- sätt in biten så djupt som möjligt i chucken
- ! **använd aldrig bits med trasig axel**
- ! **använd endast skarpa bits**
- Justering av vridmoment (VariTorque) ⑬
- reducerar vridmomentet på chucken (26 kopplingslägen)
- vridmomentet ökas genom att ringen C vrids från 1 till 25; det läget D låser kopplingen för att möjliggöra borrning och tyngre skruvdragningsjobb
- vid idragning av en skruv, försök först med VariTorque position 1 och öka tills det rätta djupet är nått
- Mekaniskt växelval ⑬
- ställ in omkopplaren E på önskat varvtal
- ! **påverka växellägesomkopplaren när maskinen går sakta**
- HÖG EFFEKT
- högt vridmoment
- för skruvdragnings och borrning av stora diametrar
- för gängskärning
- HÖG HASTIGHET
- lågt vridmoment
- för borrning av små diametrar
- Batteriindikator ⑭
Visar hur mycket laddning batteriet har kvar

- Fattning och styrning av maskinen
 - håll ventilationsöppningarna H ② ej övertäckta
 - lägg inte för mycket tryck på maskinen; låt maskinen göra arbetet åt dig

ANVÄNDNINGSTIPS

- När du borrar i järnmetaller
 - förborra ett mindre hål då ett större behövs
 - olja in borren emellanåt
- Vid idragning av en skruv nära kortänden eller på sidan av trämaterial ska först borrning ske för att undvika sprickbildning
- För bästa användning av maskinen är det nödvändigt med ett jämnt tryck på skruven, speciellt vid urdragnings
- Vid skruvning i hårt trä bör man först förborra ett hål
- Vibrationsnivå
Vibrationsemissionsvärdet som står på baksidan av den här instruktionsboken har uppmätts enligt ett standardiserat test i enlighet med EN 60745; detta värde kan användas för att jämföra vibrationen hos olika verktyg och som en ungefärlig uppskattning av hur stor vibration användaren utsätts för när verktyget används enligt det avsedda syftet
 - om verktyget används på ett annat än det avsedda syftet eller med fel eller dåligt underhållna tillbehör kan detta drastiskt **öka** vibrationsnivån
 - när verktyget stängs av eller är på men inte används, kan detta avsevärt **minska** vibrationsnivån
- ! **skydda dig mot vibration genom att underhålla verktyget och dess tillbehör, hålla händerna varma och styra upp ditt arbetssätt**

UNDERHÅLL / SERVICE

- Håll din maskin och laddaren ren
 - rengör kontaktytorna i laddaren med alkohol eller kontaktrengöringsmedel
- ! **dra ur laddarens stickpropp från elurtaget innan rengöring**
- Om i elverktyget/laddaren trots exakt tillverkning och sträng kontroll störning skulle uppstå, bör reparation utföras av auktoriserad serviceverkstad för SKIL elverktyg
- sänd in verktyget eller laddaren i **odemonterat skick** tillsammans med inköpsbevis till försäljaren eller till närmaste SKIL serviceverkstad (adresser till servicestationer och sprängskisser av maskiner finns på www.skileurope.com)

MILJÖ

- **Elektriska verktyg, tillbehör och förpackning får inte kastas i hushållssoporna** (gäller endast EU-länder)
 - enligt direktivet 2002/96/EG som avser äldre elektrisk och elektronisk utrustning och dess tillämpning enligt nationell lagstiftning ska uttjänta elektriska verktyg sorteras separat och lämnas till miljövänlig återvinning
 - symbolen ⑦ kommer att påminna om detta när det är tid att kassera

Akkubore-/ skruemaskine

2502/2602/2702

INLEDNING

- Værktøjet er beregnet til boring i træ, metal, keramik og kunststof; værktøj med elektronisk regulering af omdrejningstal og højre-/ venstreløb er også egnet til skruearbejde og gevindskæring
- Læs og gem denne betjeningsvejledning ③

TEKNISKE SPECIFIKATIONER ①

VÆRKTØJETS DELE ②

- A Afbryder til tænd/sluk og regulering af omdrejningstal
- B Lys (oplader)
- C Ring til justering af drejningsmoment
- D Låseposition (kobling)
- E Gearomskifter
- F Omskifter til ændring af omdrejningsretningen
- G Selvspændende borepatron
- H Ventilationshuller
- J Oplader

SIKKERHED

GENERALE SIKKERHEDSINSTRUKSER

⚠ VIGTIGT! Læs alle advarselshenvisninger og instrukser. I tilfælde af manglende overholdelse af advarselshenvisningerne og instrukserne er der risiko for elektrisk stød, brand og/eller alvorlige kvæstelser. **Opbevar alle advarselshenvisninger og instrukser til senere brug.** Det i advarselshenvisningerne benyttede begreb "el værktøj" refererer til netdrevet el værktøj (med netkabel) og akkudrevet el værktøj (uden netkabel).

1) SIKKERHED PÅ ARBEJDSPLADSEN

- a) **Sørg for, at arbejdsområdet er rent og ryddeligt.** Uorden eller uoplyste arbejdsområder øger faren for uheld.
- b) **Brug ikke maskinen i eksplosionstruede omgivelser, hvor der er brændbare væsker, gasser eller støv.** El-værktøj kan slå gnister, der kan antænde støv eller dampe.
- c) **Sørg for, at andre personer og ikke mindst børn holdes væk fra arbejdsområdet, når maskinen er i brug.** Hvis man distraheres, kan man miste kontrollen over maskinen.

2) ELEKTRISK SIKKERHED

- a) **Maskinens stik skal passe til kontakten. Stikket må under ingen omstændigheder ændres. Brug ikke adapterstik sammen med jordforbundne maskiner.** Uændrede stik, der passer til kontakterne, nedsætter risikoen for elektrisk stød.

- b) **Undgå kropskontakt med jordforbundne overflader som f.eks. rør, radiatorer, komfurer og køleskabe.** Hvis din krop er jordforbundet, øges risikoen for elektrisk stød.
 - c) **Maskinen må ikke udsættes for regn eller fugt.** Indtrængning af vand i maskinen øger risikoen for elektrisk stød.
 - d) **Brug ikke ledningen til formål, den ikke er beregnet til (f.eks. må man aldrig bære maskinen i ledningen, hænge maskinen op i ledningen eller rykke i ledningen for at trække stikket ud af kontakten). Beskyt ledningen mod varme, olie, skarpe kanter eller maskindele, der er i bevægelse.** Beskadigede eller indviklede ledninger øger risikoen for elektrisk stød.
 - e) **Hvis maskinen benyttes i det fri, må der kun benyttes en forlængerledning, der er godkendt til udendørs brug.** Brug af forlængerledning til udendørs brug nedsætter risikoen for elektrisk stød.
 - f) **Hvis det ikke kan undgås at bruge maskinen i fugtige omgivelser, skal der bruges et HFI-relæ.** Brug af et HFI-relæ reducerer risikoen for at få elektrisk stød.
- #### 3) PERSONLIG SIKKERHED
- a) **Det er vigtigt at være opmærksom, se, hvad man laver, og bruge maskinen fornuftigt. Man bør ikke bruge maskinen, hvis man er træt, har nydt alkohol eller er påvirket af medicin eller euforiserende stoffer.** Få sekunders uopmærksomhed ved brug af maskinen kan føre til alvorlige personskader.
 - b) **Brug beskyttelsesudstyr og hav altid beskyttelsesbriller på.** Brug af sikkerhedsudstyr som f.eks. støvmaske, skridsikkert fodtøj, beskyttelseshjelm eller hørevern afhængig af maskintype og anvendelse nedsætter risikoen for personskader.
 - c) **Undgå utilsigtet igangsætning. Kontrollér, at el værktøjet er slukket, før du tilslutter det til strømtilførslen og/eller akkuen, løfter eller bærer det.** Undgå at bære el værktøjet med fingeren på afbryderen og sørg for, at el værktøjet ikke er tændt, når det slutes til nettet, da dette øger risikoen for personskader.
 - d) **Fjern indstillingsværktøj eller skruenøgle, inden maskinen tændes.** Hvis et stykke værktøj eller en nøgle sidder i en roterende maskindel, er der risiko for personskader.
 - e) **Overvurder ikke dig selv. Sørg for at stå sikkert, mens der arbejdes, og kom ikke ud af balance.** Det er derved nemmere at kontrollere maskinen, hvis der skulle opstå uventede situationer.
 - f) **Brug egnet arbejdstøj. Undgå løse beklædningsgenstande eller smykker. Hold hår, tøj og handske væk fra dele, der bevæger sig.** Dele, der er i bevægelse, kan gribe fat i løstsiddende tøj, smykker eller langt hår.
 - g) **Hvis støvudsugnings- og opsamlingsudstyr kan monteres, er det vigtigt, at dette tilsluttes og benyttes korrekt.** Brug af en støvopsugning nedsætter risikoen for personskader som følge af støv.

4) OMHYGGELIG OMGANG MED OG BRUG AF EL-VÆRKTØJ

- a) **Undgå overbelastning af maskinen. Brug altid en maskine, der er beregnet til det stykke arbejde, der skal udføres.** Med den rigtige maskine arbejder man bedst og mest sikkert inden for det angivne effektområde.
- b) **Brug ikke en maskine, hvis afbryder er defekt.** En maskine, der ikke kan startes og stoppes, er farlig og skal repareres.
- c) **Træk stikket ud af stikkontakten og/eller fjern akkuen, inden maskinen indstilles, der skiftes tilbehørsdele, eller maskinen lægges fra.** Disse sikkerhedsforanstaltninger forhindrer utilsigtet start af maskinen.
- d) **Opbevar ubenyttet el-værktøj uden for børns rækkevidde. Lad aldrig personer, der ikke er fortrolige med maskinen eller ikke har gennemlæst disse instrukser, benytte maskinen.** El-værktøj er farligt, hvis det benyttes af ukyndige personer.
- e) **Maskinen bør vedligeholdes omhyggeligt. Kontroller, om bevægelige dele fungerer korrekt og ikke sidder fast, og om delene er brækket eller beskadiget, således at maskinens funktion påvirkes. Få beskadigede dele repareret, inden maskinen tages i brug.** Mange uheld skyldes dårligt vedligeholdte maskiner.
- f) **Sørg for, at skæreværktøjer er skarpe og rene.** Omhyggeligt vedligeholdte skæreværktøjer med skarpe skærekanter sætter sig ikke så hurtigt fast og er nemmere at føre.
- g) **Brug el-værktøj, tilbehør, indsatsværktøj osv. iht. disse instrukser. Tag hensyn til arbejdsforholdene og det arbejde, der skal udføres.** I tilfælde af anvendelse af værktøjet til formål, som ligger uden for det fastsatte anvendelsesområde, kan der opstå farlige situationer.

5) OMHYGGELIG OMGANG MED OG BRUG AF AKKU-MASKINER

- a) **Oplad kun akku'er i ladeaggregater, der er anbefalet af fabrikanten.** Et ladeaggregat, der er egnet til en bestemt type akku'er, må ikke benyttes med andre akku'er - brandfare.
- b) **Brug kun de akku'er, der er beregnet til el-værktøjet.** Brug af andre akku'er øger risikoen for personskader og er forbundet med brandfare.
- c) **Ikke benyttede akku'er må ikke komme i berøring med kontorclips, mønter, nøgler, søm, skruer eller andre små metalgenstande, da disse kan kortslutte kontakterne.** En kortslutning mellem akku-kontakterne øger risikoen for personskader i form af forbrændinger.
- d) **Hvis akku'en anvendes forkert, kan der slippe væske ud af akku'en. Undgå at komme i kontakt med denne væske. Hvis det alligevel skulle ske, skylles med vand. Søg læge, hvis væsken kommer i øjnene.** Akku-væske kan give hudirritation eller forbrændinger.

6) SERVICE

- a) **Sørg for, at maskinen kun repareres af kvalificerede fagfolk, og at der kun benyttes originale reservedele.** Dermed sikres størst mulig maskinsikkerhed.

SIKKERHEDSINSTRUKSER FOR AKKUBORE-/SKRUEMASKINE

- Undgå skader forårsaget af skruer, søm eller andre materialer i arbejdsstykket; fjern disse før De begynder at arbejde
- Kontrollér altid at forsyningsspændingen er den samme som den spænding, der er anført på opladerens navneskilt (oplader med betegnelsen 230V eller 240V kan også tilsluttes til 220V)
- I tilfælde af elektrisk eller mekanisk fejlfunktion skal værktøjet straks afbrydes eller opladeren fjernes fra stikkontakten
- SKIL kan kun sikre en korrekt funktion af værktøjet, hvis der benyttes den rigtige tilbehør, som kan fås hos SKIL-forhandleren
- Der må kun benyttes tilbehør, hvis godkendte omdrejningstal er mindst så højt som værktøjets max. omdrejningstal i ubelastet tilstand
- Dette værktøj må ikke bruges af personer under 16 år
- **Fastgør emnet** (det er sikrere at holde emner i en fastgøringsanordning eller skruestik end med hånden)
- **Hold altid kun el-værktøjet i de isolerede gribeplader, når du udfører arbejde, hvor indsatsværktøjet kan ramme bøjede strømledninger eller værktøjets eget kabel** (kontakt med en spændingsførende ledning sætter også metaldele under spænding, hvilket fører til elektrisk stød)
- **Anvend egnede søgeinstrumenter til at finde frem til skjulte forsyningsledninger eller kontakt det lokale forsyningselskab** (kontakt med elektriske ledninger kan føre til brand og elektrisk stød; skadigelise af en gasledning kan føre til eksplosion; brud på et vandrør kan føre til materiel skade eller elektrisk stød)
- **Bearbejd ikke asbestholdigt materiale** (asbest er kræftfremkaldende)
- Støv fra materiale som f.eks. maling, der indeholder bly, nogle træsorter, mineraler og metal kan være skadeligt (kontakt med eller indånding af støvet kan forårsage allergiske reaktioner og/eller sygdomme i luftvejene hos den, der anvender værktøjet, eller hos omkringstående); **bær en støvmaske og arbejd med en støvudsugningsanordning, hvor en sådan kan sluttes til**
- Visse slags støv er klassificeret som kræftfremkaldende (som f.eks. støv fra eg og bøg) især i forbindelse med tilsætningsstoffer til træbehandling; **bær en støvmaske og arbejd med en støvudsugningsanordning, hvor en sådan kan sluttes til**
- Følg de nationale krav, hvad angår støv, for de materialer, du ønsker at arbejde med
- Kontroller, at afbryder F ② er i midterste (låst) position inden værktøjet indstilles eller der skiftes tilbehørsdele eller værktøjet bæres eller lægges fra

OPLADNING/BATTERIERNE

- Oplad kun batteriet i den leverede lader
- Berør ikke kontaktpunkterne i opladeren
- Sæt ikke værktøj/opladeren/batteriet ud i regn

- Opbevar værktøj/opladeren/batteriet i et lokale, hvor temperaturen ikke overstiger 40°C eller falder under 0°C
- Batterier vil eksplodere, hvis de kommer i ild, så forsøg aldrig at brænde batteriet
- Brug ikke opladeren hvis den er beskadiget; send den til et sikkerhedscheck hos et autoriseret SKIL service værksted
- Brug ikke opladeren, hvis ledning eller stik er beskadiget; ledning eller stik bør straks udskiftes på et autoriseret SKIL service værksted
- Brug ikke batteriet hvis de er beskadiget; de bør erstatte straks
- Skille ikke opladeren eller batteriet ad
- Forsøg ikke at oplade batterierne, som ikke kan genoplades, med opladeren
- Forklaring af symboler på lader/batteri
 - ③ Læs instruktionen inden brugen
 - ④ Benyt kun laderen indendørs
 - ⑤ Dobbelt isolering (jordforbindelse unødvendig)
 - ⑥ Forkert polaritet på laderens tilslutning kan medføre fare (lad kun batteriet op med den medfølgende lader)
 - ⑦ Opladeren må ikke bortskaffes som almindeligt affald
 - ⑧ Batteriet må ikke bortskaffes som almindeligt affald
 - ⑨ NiMH-teknologi giver mere energi på en mere miljøvenlig måde

BETJENING

- Opladning batteriet ⑩
 - på nye værktøj er batteriet ikke fuldt opladet
 - forbind opladeren med en stikkontakt
 - lys B tændes
 - indsæt batteriet korrekt i opladeren
 - lys B begynder at blinke, og indikerer hermed at batteriet modtager en opladning (⑩a)
 - efter ca. 2-3 timer er batteriet fuldt opladet og lys B bliver vist konstant, idet øjeblik opladeren automatisk skifter over til vedligeholdelsesopladning (⑩b)
- ! fjern batteriet fra opladeren efter opladningsperioden er slut, hvilket forøger levetid af batteriet

VIGTIGT:

- hvis lys B ikke begynder at blinke, efter at man har sat batteriet i (⑩b), kan dette skyldes:
 - 1) at batteriet er for kold eller varm til en opladning (opladeren oplader kun batteriet når disses temperatur er mellem 0°C og 45°C); opladeren skifter da automatisk til vedligeholdelsesopladning, indtil en temperatur på mellem 0°C og 45°C er nået, hvorpå opladeren automatisk skifter til normalt-opladning
 - 2) at batteriet bør udskiftes
- under opladning kan opladeren og batteriet blive varme at røre ved; dette er normalt og er ikke tegn på et problem
- kontroller, at batteriets yvendige overflade er ren og tør, før det sættes i opladeren
- oplad ikke i temperature under 0°C og over 40°C; dette vil i høj grad skade batteriet og opladeren
- fjern ikke batteriet fra værktøjet medens der arbejdes

! en ny batteri eller en batteri, som ikke har været benyttet i længere tid, yder først fuld kapacitet efter ca. 5 opladninger/afladninger

- oplad ikke batteriet efter få minutters brug; dersom De gør dette, kan resultatet blive en reduktion af arbejdstiden og batteriet kapacitet
- nikkel-metalhydrid batteriet kan forurene naturen og må ikke blandes med almindeligt affald (symbolet ⑧ erindrer dig om dette, når udskiftning er nødvendig)
- ! beskyt batteri terminaler med bredt tape for at undgå kortslutning
 - hvis værktøjet i længere tid ikke bliver benyttet, er det bedst at trække opladerens stik ud af stikkontakten
- Kombineret afbryder A ② for til/fra og hastighedskontrol Kontroler hastigheden trinløst fra 0 til max. hastighed ved at trykke mere eller mindre på afbryderen
- Ændring af omdrejningsretningen ⑪
 - afbryderen A ② kan ikke aktiveres, hvis venstre/højre stilling ikke er indstillet nøjagtigt
- ! ændre kun omdrejningsretningen når værktøjet er standstet helt
- Ombytning af bits ⑫
 - indsæt bit så dybt som muligt i borepatronen
- ! brug ikke bits med beskadiget skaft
- ! brug kun skarpe bits
- Justering af drejningsmoment (VariTorque) ⑬
 - bestemmer den kraft borepatronen skal trække med (26 koblingsindstillinger)
 - trækraften vil forøges når indstillingsringen C drejes fra 1 til 25; pos. D vil tillade may trækraft til boring og skruning meget kraftigt arbejde
 - ved iskruning af en skrue, prøv først VariTorque stilling 1 og forøg derefter på skalaen indtil den ønskede dybde er nået
- Mekanisk gearvalg ⑭
 - stil omskifteren E på ønskede omdrejningstal
- ! tryk på gearomskifteren mens værktøjet kører langsomt
- HØJ EFFEKT
 - stor trækraft
 - for iskruning og boring ved store diametre på bor
 - for gevindskæring
- HØJ OMDREJNINGSTAL
 - lavere trækraft
 - for boring ved små diametre på bor
- Indikator for batteritilstand ⑮
 - Viser, hvor meget energi der er tilbage i batteriet
- Håndtering og styring af værktøjet
 - hold ventilationshullerne H ② utildækkede
 - pres ikke for hårdt med værktøjet; lad værktøjet gøre arbejdet for dig

GODE RÅD

- Ved boring i metal
 - forbor et mindre hul, når et stort hul skal bores
 - sørg for at smøre boret en gang imellem med olien
- Ved iskruning af en skrue nær endeflader eller i endetræ bør der forbores for at undgå splinter i træet
- For at få optimal glæde af værktøjet er det nødvendigt mod ed jævn tryk på skruen, især ved udskruining

- Ved iskruning i hårdt trø anbefales det at forbore
 - Vibrationsniveau
Det vibrationsniveau, der er anført bag på denne betjeningsvejledning er målt i henhold til den standardiserede test som anført i EN 60745; den kan benyttes til at sammenligne to stykker værktøj og som en foreløbig bedømmelse af udsættelsen for vibrationer, når værktøjet anvendes til de nævnte formål
 - anvendes værktøjet til andre formål eller med andet eller dårligt vedligeholdt tilbehør, kan dette **øge** udsættelsesniveauet betydeligt
 - de tidsrum, hvor værktøjet er slukket, eller hvor det kører uden reelt at udføre noget arbejde, kan **reducere** udsættelsesniveauet betydeligt
- ! beskyt dig selv imod virkningerne af vibrationer ved at vedligeholde værktøjet og dets tilbehør, ved at holde dine hænder varme og ved at organisere dine arbejdsmønstre**

VEDLIGEHOLDELSE / SERVICE

- Hold Deres værktøj og oplader ren
 - rens kontaktfladerne i opladeren med alkohol eller anden rensesvæske
- ! fjern opladeren fra stikkontakten før rensning**
- Skulle el værktøjet/opladeren trods omhyggelig fabrikation og kontrol holde op med at fungere, skal reparationen udføres af et autoriseret serviceværksted for SKIL-elektroværktøj
 - send venligst det **uskilte** værktøj eller oplader sammen med et køb-bevis til Deres værktøjsforhandler eller nærmeste autoriseret SKIL service værksted (adresser og reservedelstegning af værktøjet findes på www.skileurope.com)

MILJØ

- **Elværktøj, tilbehør og emballage må ikke bortskaffes som almindeligt affald** (kun for EU-lande)
 - i henhold til det europæiske direktiv 2002/96/EF om bortskaffelse af elektriske og elektroniske produkter og gældende national lovgivning, skal brugt elværktøj indsamles separat og bortskaffes på en måde, der skåner miljøet mest muligt
 - symbolet ⑦ erindrer dig om dette, når udskiftning er nødvendig

N

Oppladbar bormaskin/ 2502/2602/2702 skrutrekker

INTRODUKSJON

- Dette værktøjet er beregnet til boring i træ, metall, keramikk og kunststoff; værktøj med elektronisk turtallsregulering og højre-/ venstregang er også egnet til skruing og gjengeskjæring
- Les og ta vare på denne brukerveiledningen ③

TEKNISKE OPPLYSNINGER ①

VERKTØYELEMENTER ②

- A Bryter til av/på og turtallsregulering
- B Lys (lader)
- C Ring til momentinnstilling
- D Låst stilling (clutch)
- E Girvalg Bryter
- F Bryter til endring av dreieretning
- G Selvspennende chuck
- H Ventilasjonsåpninger
- J Lader

SIKKERHET

GENERELLE SIKKERHETSANVISNINGER

⚠ OBS! Les gjennom alle advarslene og anvisningene. Feil ved overholdelsen av advarslene og nedenstående anvisninger kan medføre elektriske støt, brann og/eller alvorlige skader. **Ta godt vare på alle advarslene og informasjonene.** Det nedenstående anvendte uttrykket "elektroværktøy" gjelder for strømndrevne elektroværktøy (med ledning) og batteridrevne elektroværktøy (uten ledning).

1) SIKKERHET PÅ ARBEIDSPLASSEN

- a) **Hold arbeidsområdet rent og ryddig.**
Rotete arbeidsområder eller arbeidsområder uten lys kan føre til ulykker.
- b) **Ikke arbeid med maskinen i eksplosjonsutsatte omgivelser – der det befinner seg brennbare væsker, gass eller støv.** Elektroværktøy lager gnister som kan antenne støv eller damper.
- c) **Hold barn og andre personer unna når elektroværktøyet brukes.** Hvis du blir forstyrret under arbeidet, kan du miste kontrollen over maskinen.

2) ELEKTRISK SIKKERHET

- a) **Støpselet til maskinen må passe inn i stikkontakten. Støpselet må ikke forandres på noen som helst måte. Ikke bruk adapterstøpsler sammen med jordede maskiner.** Bruk av støpsler som ikke er forandret på og passende stikkontakter reduserer risikoen for elektriske støt.
- b) **Unngå kroppskontakt med jordede overflater slik som rør, ovner, komfyrer og kjøleskap.** Det er større fare ved elektriske støt hvis kroppen din er jordet.
- c) **Hold maskinen unna regn eller fuktighet.** Dersom det kommer vann i et elektroværktøy, øker risikoen for elektriske støt.
- d) **Ikke bruk ledningen til andre formål, f.eks. til å bære maskinen, henge den opp eller trekke den ut av stikkontakten. Hold ledningen unna varme, olje, skarpe kanter eller maskindeler som beveger seg.** Med skadede eller opphopede ledninger øker risikoen for elektriske støt.

- e) Når du arbeider utendørs med et elektroverktøy, må du kun bruke en skjøteledning som er godkjent til utendørs bruk. Når du bruker en skjøteledning som er egnet for utendørs bruk, reduseres risikoen for elektriske støt.
- f) Hvis det ikke kan unngås å bruke elektroverktøyet i fuktige omgivelser, må du bruke en jordfeilbryter. Bruk av en jordfeilbryter reduserer risikoen for elektriske støt.

3) PERSONSIKKERHET

- a) Vær oppmerksom, pass på hva du gjør, gå fornuftig frem når du arbeider med et elektroverktøy. Ikke bruk maskinen når du er trett eller er påvirket av narkotika, alkohol eller medikamenter. Et øyeblikks uoppmerksomhet ved bruk av maskinen kan føre til alvorlige skader.
- b) Bruk personlig verneutstyr og husk alltid å bruke vernebriller. Bruk av personlig sikkerhetsutstyr som støvmaske, sklifaste arbeidssko, hjelm eller hørselvern – avhengig av type og bruk av elektroverktøyet – reduserer risikoen for skader.
- c) Unngå å starte verktøyet ved en feiltagelse. Forviss deg om at elektroverktøyet er slått av før du kobler det til strømmen og/eller batteriet, løfter det opp eller bærer det. Hvis du holder fingeren på bryteren når du bærer elektroverktøyet eller kobler elektroverktøyet til strømmen i innkoblet tilstand, kan dette føre til uhell.
- d) Fjern innstillingsverktøy eller skrunøkler før du slår på elektroverktøyet. Et verktøy eller en nøkkel som befinner seg i en roterende maskindel, kan føre til skader.
- e) Ikke overvurder deg selv. Sørg for å stå stødig og i balanse. Dermed kan du kontrollere maskinen bedre i uventede situasjoner.
- f) Bruk alltid egnede klær. Ikke bruk vide klær eller smykker. Hold hår, tøy og hansker unna deler som beveger seg. Løstsittende tøy, smykker eller langt hår kan komme inn i deler som beveger seg.
- g) Hvis det kan monteres støvavsug- og oppsamlingsinnretninger, må du forviss deg om at disse er tilkoblet og brukes på korrekt måte. Bruk av et støvavsug reduserer faren på grunn av støv.

4) AKTSOM HÅNDTERING OG BRUK AV ELEKTROVERKTØY

- a) Ikke overbelast maskinen. Bruk et elektroverktøy som er beregnet til den type arbeid du vil utføre. Med et passende elektroverktøy arbeider du bedre og sikrer i det angitte effektområdet.
- b) Ikke bruk elektroverktøy med defekt på-/avbryter. Et elektroverktøy som ikke lenger kan slås av eller på, er farlig og må repareres.
- c) Trekk støpselet ut av stikkontakten og/eller fjern batteriet før du utfører innstillinger på elektroverktøyet, skifter tilbehørsdeler eller legger maskinen bort. Disse tiltakene forhindrer en utilsiktet startung av maskinen.

- d) Elektroverktøy som ikke er i bruk må oppbevares utilgjengelig for barn. Ikke la maskinen brukes av personer som ikke er fortrolig med dette eller ikke har lest disse anvisningene. Elektroverktøy er farlige når de brukes av uerfarne personer.
- e) Vær nøye med vedlikeholdet av maskinen. Kontroller om bevegelige maskindeler fungerer feilfritt og ikke klemmes fast, og om deler er brukket eller skadet, slik at dette innvirker på maskinens funksjon. La skadede deler repareres før maskinen brukes. Dårlig vedlikeholdte elektroverktøy er årsaken til mange uhell.
- f) Hold skjæreverktøyene skarpe og rene. Godt stelte skjæreverktøy med skarpe skjær setter seg ikke så ofte fast og er lettere å føre.
- g) Bruk elektroverktøy, tilbehør, verktøy osv. i henhold til disse anvisningene. Ta hensyn til arbeidsforholdene og arbeidet som skal utføres. Bruk av elektroverktøy til andre formål enn det som er angitt kan føre til farlige situasjoner.

5) AKTSOM HÅNDTERING OG BRUK AV BATTERIDREVNE VERKTØY

- a) Lad batteriet kun opp i ladeapparater som er anbefalt av produsenten. Det oppstår brannfare hvis et ladeapparat som er egnet til en bestemt type batterier, brukes med andre batterier.
- b) Bruk derfor kun riktig type batterier for elektroverktøyene. Bruk av andre batterier kan medføre skader og brannfare.
- c) Hold batteriet som ikke er i bruk unna binders, mynter, nøkler, spikre, skruer eller andre mindre metallgjenstander, som kan lage en forbindelse mellom kontaktene. En kortslutning mellom batterikontaktene kan føre til forbrenninger eller brann.
- d) Ved gal bruk kan det lekket væske ut av batteriet. Unngå kontakt med denne væsken. Ved tilfeldig kontakt må det skylles med vann. Hvis det kommer væske i øynene, må du i tillegg oppsøke en lege. Batterivæske som renner ut kan føre til irritasjoner på huden eller forbrenninger.

6) SERVICE

- a) Maskinen din skal alltid kun repareres av kvalifisert fagpersonale og kun med originale reservedeler. Slik opprettholdes maskinens sikkerhet.

SIKKERHETSANVISNINGER FOR OPPLADBAR DRILL/ SKRUTREKKER

- Ungå skade p.g.a. skruer, spiker eller andre elementer i arbeidsstykket; fjernes for man starter jobben
- Sjekk alltid at tilført spenningen er den samme som oppgitt på laderens merkeplate (lader som er betegnet med 230V eller 240V kan også tilkoples 220V)
- I tilfelle noe elektrisk eller mekanisk unormalt, slå øyeblikkelig av bryteren eller ta ut laderen fra stikkontakten
- SKIL kan kun garantere et feilfritt verktøy dersom riktig tilbehør brukes, som leveres fra SKIL-forhandleren på stedet
- Bruk kun tilbehør med et godkjent turtall som er minst like høyt som verktøyets høyeste tomgangsturtall

- Verktøyet må ikke brukes av personer under 16 år
- **Sett fast arbeidsstykket** (et arbeidsstykke som er sikret med klemmer, sitter sikrere enn om det holdes fast for hånd)
- **Ta kun tak i elektroverktøyet på de isolerte gripeflatene, hvis du utfører arbeid der innsatsverktøyet kan treffe på skjulte strømledninger eller den egne strømledningen** (kontakt med en spenningsførende ledning setter også elektroverktøyet metalldele under spenning og fører til elektriske støt)
- **Bruk egnede detektorer til å finne skjulte strøm-/gass-/vannledninger, eller spør hos det lokale el-/gass-/vannverket** (kontakt med elektriske ledninger kan medføre brann og elektrisk støt; skader på en gassledning kan føre til eksplosjon; inntrenging i en vannledning forårsaker materielle skader og kan medføre elektriske støt)
- **Ikke bearbeid asbestholdig material** (asbest kan fremkalle kreft)
- Støv fra materialer som blyholdig maling, visse tresorter, mineraler og metall kan være skadelig (kontakt med eller inhalering av støv kan gi allergiske reaksjoner og/eller sykdommer i åndedretsorganene for brukeren eller personer i nærheten); **bruk støvmaske og arbeid med støvfjerningsutstyr når det er mulig**
- Visse typer støv er klassifisert som kreftfremkallende (som f.eks. støv fra eik og bøk), spesielt sammen med tilsetningsstoffer for trebehandling; **bruk støvmaske og arbeid med støvfjerningsutstyr når det er mulig**
- Følg de nasjonale krav, når det gjelder støv for de materialer du ønsker å arbeide med
- Sørg for at bryter F (2) er i midterste (låst) posisjon før du utfører innstillinger på verktøyet eller skifter tilbehørsdeler eller bærer eller legger verktøyet bort

LADING/BATTERIENE

- Lad alltid batteriet med laderen som følger med
- Ikke berør kontaktene i laderen
- Utsett ikke verktøy/lader/batteriet for regn
- Oppbevar verktøy/lader/batteriet på et sted der temperaturen ikke overstiger 40°C eller faller enn 0°C
- Batterier vil eksplodere hvis de blir brent, derfor må man aldri brenne batteriene
- Bruk ikke laderen når den er skadet; ta den med til et autorisert SKIL serviceverksted for en sikkerhetssjekk
- Bruk ikke laderen dersom ledning eller plugg er skadet; ledning eller plugg bør straks skiftes ut på et autorisert SKIL serviceverksted
- Bruk ikke batteriet når de er skadet; de må byttes ut umiddelbart
- Demontere ikke lader eller batteriet
- Forsøk ikke å lade opp batterier, som ikke er oppladbare, med laderen
- Forklaring av symboler på lader/batteri
 - ③ Les instruksjonsboken for bruk
 - ④ Laderen skal kun brukes innendørs
 - ⑤ Dobbeltisolert (ikke nødvendig med jordingsleder)

- ⑥ Ombytting av polene ved tilkobling av laderen kan medføre fare (batteriet skal kun lades med den medfølgende laderen)
- ⑦ Kast aldri lader i husholdningsavfallet
- ⑧ Kast aldri batteriet i husholdningsavfallet
- ⑨ NiMH-teknologi gir mer energi og mindre forurensing av miljøet

BRUK

- Lading batteriet (10)
 - batteriet er ikke fullt oppladet på nye verktøy
 - kople laderen med en stikkontakt
 - lyset B tenes
 - stikk batteriet inn i laderen
 - lyset B begynner å blinke og indikerer dermed at batteriet mottar lading (10a)
 - etter ca. 2-3 timer er batteriet fullt opladet og lyset B vises konstant, i samme øyeblikk skifter laderen over til vedlikeholdsladning (10b)
- ! **ta ut batteriet fra laderen etter ladetiden er ute; sliik forlenges levetid av batteriet**
- VIKTIG:
 - dersom lyset B ikke begynner å blinke etter at man har satt batteriet i laderen (10b), kann dette skyldes:
 - 1) at batteriet er for kald eller varm (laderen lader kun batteriet ved temperaturer mellom 0°C og 45°C); laderen skifter da automatisk til vedlikeholdsladning inntil en temperatur på mellom 0°C og 45°C er oppnådd, deretter skifter laderen automatisk til normalladning
 - 2) at batteriet bør skiftes
 - under ladning kan laderen og batteriet være varm å berøre; dette er normalt og ikke et tegn på at noe er galt
 - se til at overflaten på batteriet er ren og tørr før det settes i laderen
 - opplading må ikke foregå ved temperaturer lavere enn 0°C og over 40°C; dette vil forårsake alvorlig skade på batteriet og laderen
 - ta ikke ut batteriet mens verktøyet er i gang
- ! **et nytt batteri eller et batteri som ikke har vært brukt over lengre tid gir først sin fulle effekt etter ca. 5 oppladings-/utladingscykluser**
- gjenta ikke oppladningen etter kun noen få minutters bruk; dette kan resultere i reduksjon av brukstiden og effektiviteten
- nikkelmetallhydrid batteriet må oppbevares adskilt fra miljø og må ikke kastes som vanlig husholdningsavfall (symbolet 8) er påtrykt som en påminnelse for riktig avhendelse av batteriet når nødvendig)
- ! **før batteriene kastes, tape polene med tykk tape for å unngå kortslutning**
- dersom verktøyet ikke har vært benyttet på lang tid er det best å trekke laderen ut av stikkkontakten
- Kombinert bryter A (2) gir på/av og hastighetsinnstilling Regulér den trinnløse hastighet fra 0 til maksimum ved å trykke mere eller mindre på bryteren

- Endring av dreieretning ⑪
 - hvis ikke retningshendelen er riktig satt i venstre/høyre posisjon, sperres bryteren A ②
 - ! **endre bare dreieretning når verktøyet er helt stillestående**
 - Bytting av bits ⑫
 - sett bit så dybt som mulig inn i chucken
 - ! **bruk aldri bit med skadet tange**
 - ! **bruk alltid skarpt bits**
 - Momentinnstilling (VariTorque) ⑬
 - begrenser styrken til chucken (26 clutch-stillinger)
 - kraft vil øke dersom clutch-ringen C føres fra 1-25; den stilling D vil låse clutchen og muliggjøre høy effekt i boring og skruing
 - ved skruing, prøv først med VariTorque stilling 1 og øk inntil den ønskede dybde er nådd
 - Mekanisk girvalg ⑬
 - sett bryteren E på ønsket turtall
 - ! **bruk girvalg Bryteren når verktøyet går sakte**
- HØY EFFEKT**
- høy vridningsmoment
 - for skrutrekking og boring av stor diameter
 - or gjenging
- HØY HASTIGHET**
- liten vridningsmoment
 - for boring av liten diameter
- Indikator for batteristatus ⑭
- Viser, hvor meget energi der er tilbake i batteriet
- Grep og styring av verktøyet
 - hold ventilasjonsåpningen H ② utildekket
 - ikke utøv for meget press på verktøyet; la verktøyet gjøre jobben for deg

BRUKER TIPS

- Ved boring i jernholdige metaller
 - bor først et lite hull, når et stort hull er krevet
 - smør boret av og til med olje
- Ved skruing ute ved materialkanten er det en fordel å forbore for a ongå at materialet sprekker
- For at du skal ha full nytte av verktøyet er det nødvendig med et svakt press mot skruen, spesielt ved utskruing
- Som skrutrekker ved anvendelse i hardt tre anbefaler vi å bore et styrehull først
- Vibrasjonsnivå

Det avgitte vibrasjonsnivået som er angitt bak i denne bruksanvisningen er blitt målt i samsvar med en standardisert test som er angitt i EN 60745; den kan brukes til å sammenligne et verktøy med et annet, og som et foreløpig overslag over eksponering for vibrasjoner ved bruk av verktøyet til de oppgavene som er nevnt

 - bruk av verktøyet til andre oppgaver, eller med annet eller mangelfullt vedlikeholdt utstyr, kan gi en vesentlig **økning** av eksponeringsnivået
 - tidsrommene når verktøyet er avslått eller når det går men ikke arbeider, kan gi en vesentlig **reduksjon** av eksponeringsnivået

! **beskytt deg selv mot virkningene av vibrasjoner ved å vedlikeholde verktøyet og utstyret, holde hendene varme og organisere arbeidsmåten din**

VEDLIKEHOLD / SERVICE

- Hold verktøyet og laderen ren
 - rengjør kontakten i laderen med alkohol eller contact rens
- ! **ta ut laderen fra stikkkontakten før rengjøring**
- Hvis elektroverktøyet/laderen til tross for omhyggelige produksjons- og kontrollmetoder en gang skulle svikte, må reparasjonen utføres av et autorisert serviceverksted for SKIL-elektroverktøy
 - send verktøyet eller laderen i **montert** tilstand med kjøpsbevis til leverandøren eller nærmeste SKIL serviceverksted (adresser liksom service diagram av verktøyet finner du på www.skileurope.com)

MILJØ

- **Kast aldri elektroverktøy, tilbehør og emballasje i husholdningsavfallet** (kun for EU-land)
 - i henhold til EU-direktiv 2002/96/EF om kasserte elektriske og elektroniske produkter og direktivets iverksetting i nasjonal rett, må elektroverktøy som ikke lenger skal brukes, samles separat og returneres til et miljøvennlig gjenvinningsanlegg
 - symbolet ⑦ er påtrykt som en påminnelse når utskiftning er nødvendig

FIN

Akkuruuvinväännin/ 2502/2602/2702 -porakone

ESITTELY

- Koneet on tarkoitettu poraamiseen puuhun, metalliin, keramiikkaan ja muoviin; elektronisella nopeudensäädöllä ja suunnanvaihdolla varustetut koneet soveltuvat myös ruuvinvääntöön ja kierteitykseen
- Lue ja säilytä tämä ohjekirja ③

TEKNISET TIEDOT ①

LAITTEEN OSAT ②

- A** On/off- ja nopeudensäätökytkin
- B** Valo (latauslaite)
- C** Momentinsäätö
- D** Lukitusasento (kytkin)
- E** Vaihtenvälitsin
- F** Kytkin pyörintäs suunnan vaihtamiseksi
- G** Pikaistukka
- H** Ilmanvaihto-aukot
- J** Latauslaite

TURVALLISUUS

YLEISET TURVALLISUUSOHJEET

⚠️ HUOMIO! Lue kaikki turvallisuus- ja muut ohjeet.

Turvallisuusohjeiden noudattamisen laiminlyönti saattaa johtaa sähköiskuun, tulipaloon ja/tai vakavaan loukkaantumiseen. **Säilytä kaikki turvallisuus- ja muut ohjeet tulevaisuutta varten.** Turvallisuusohjeissa käytetty käsite "sähkötyökalu" käsittää verkkokäyttöisiä sähkötyökaluja (verkkojohdolla) ja akkukäyttöisiä sähkötyökaluja (ilman verkkojohtoa).

1) TYÖPAIKAN TURVALLISUUS

- a) **Pidä työskentelyalue puhtaana ja hyvin valaistuna.** Työpaikan epäjärjestys tai valaisemattomat työalueet voivat johtaa tapaturmiin.
- b) **Älä työskentele sähkötyökalulla räjähdysalttiissa ympäristössä, jossa on palavaa nestettä, kaasua tai pölyä.** Sähkötyökalu muodostaa kipinöitä, jotka saattavat sytyttää pölyn tai höyryt.
- c) **Pidä lapset ja sivulliset loitolla sähkötyökalua käyttäessäsi.** Voit menettää laitteesi hallinnan, huomiosi suuntautuessa muualle.

2) SÄHKÖTURVALLISUUS

- a) **Sähkötyökalun pistotulpan tulee sopia pistorasiaan.** Pistotulppaa ei saa muuttaa millään tavalla. **Älä käytä mitään pistorasia-adaptoreita maadoitettujen sähkötyökalujen kanssa.** Alkuperäisessä kunnossa olevat pistotulpat ja sopivat pistorasiat vähentävät sähköiskun vaaraa.
- b) **Vältä koskettamasta maadoitettuja pintoja, kuten putkia, pattereita, liesiä tai jääkaappeja.** Sähköiskun vaara kasvaa, jos kehosi on maadoitettu.
- c) **Älä aseta sähkötyökalua alttiiksi sateelle tai kosteudelle.** Veden tunkeutuminen sähkötyökalun sisään kasvattaa sähköiskun riskiä.
- d) **Älä käytä verkkojohtoa väärin. Älä käytä sitä sähkötyökalun kantamiseen, vetämiseen tai pistotulpan irrottamiseen pistorasiasta. Pidä johto loitolla kuumuudesta, öljystä, terävistä reunoista ja liikkuvista osista.** Vahingoittuneet tai sotkeutuneet johdot kasvattavat sähköiskun vaaraa.
- e) **Käyttäessäsi sähkötyökalua ulkona, käytä ainoastaan ulkokäyttöön soveltuvaa jatkojohtoa.** Ulkokäyttöön soveltuvan jatkojohdon käyttö pienentää sähköiskun vaaraa.
- f) **Jos sähkötyökalun käyttö kosteassa ympäristössä ei ole välttävissä, tulee käyttää maavuotokatkaisijaa.** Maavuotokatkaisijan käyttö vähentää sähköiskun vaaraa.

3) HENKILÖTURVALLISUUS

- a) **Ole valpas, kiinnitä huomiosi työskentelyysi ja noudata tervettä järkeä sähkötyökalua käyttäessäsi. Älä käytä sähkötyökalua, jos olet väsynyt tai huumeiden, alkoholin tahi lääkkeiden vaikutuksen alaisena.** Hetken tarkkaamattomuus sähkötyökalua käytettäessä, saattaa johtaa vakavaan loukkaantumiseen.

- b) **Käytä suojarusteita. Käytä aina suojalaseja.** Henkilökohtaisen suojarustuksen käyttö, kuten pölynaamarin, luistamattomien turvakenkien, suojakypärän tai kuulonsuojaimien, riippuen sähkötyökalun lajista ja käyttötavasta, vähentää loukkaantumisriskiä.
 - c) **Vältä tahatonta käynnistämistä. Varmista, että sähkötyökalu on poiskytkettyä, ennen kuin liität sen sähköverkkoon ja/tai liität akun, otat sen käteen tai kannat sitä.** Jos kannat sähkötyökalua sormi käynnistyskytkimellä tai kytket sähkötyökalun pistotulpan pistorasiaan, käynnistyskytkimen ollessa käyntiasennossa, altistat itsesi onnettomuuksille.
 - d) **Poista kaikki säätötyökalut ja ruuvitalat, ennen kuin käynnistät sähkötyökalun.** Työkalu tai avain, joka sijaitsee laitteen pyörivässä osassa, saattaa johtaa loukkaantumiseen.
 - e) **Älä yliarviointeasi. Huolehdi aina tukevista seisoma-asennosta ja tasapainosta.** Täten voit paremmin hallita sähkötyökalua odottamattomissa tilanteissa.
 - f) **Käytä tarkoituksen soveltuvia vaatteita. Älä käytä löysiä työvaatteita tai koruja. Pidä hiukset, vaatteet ja käsinneet loitolla liikkuvista osista.** Väljät vaatteet, korut ja pitkät hiukset voivat takertua liikkuviin osiin.
 - g) **Jos pölynimu- ja keräilylaitteita voidaan asentaa, tulee sinun tarkistaa, että ne on liitetty ja että ne käytetään oikealla tavalla.** Pölynimulaitteiston käyttö vähentää pölyn aiheuttamia vaaroja.
- ### 4) SÄHKÖTYÖKALUJEN KÄYTTÖ JA HOITO
- a) **Älä ylikuormita laitetta. Käytä kyseiseen työhön tarkoitettua sähkötyökalua.** Sopivaa sähkötyökalua käyttäen työskentelet paremmin ja varmemmin tehoalueella, jolle sähkötyökalu on tarkoitettu.
 - b) **Älä käytä sähkötyökalua, jota ei voida käynnistää ja pysäyttää käynnistyskytkimestä.** Sähkötyökalu, jota ei enää voida käynnistää ja pysäyttää käynnistyskytkimellä, on vaarallinen ja se täytyy korjata.
 - c) **Irrota pistotulppa pistorasiasta, ennen kuin suoritat säätöjä, vaihdat tarvikkeita tai siirrä sähkötyökalun varastoitavaksi.** Nämä turvatoimenpiteet pienentävät sähkötyökalun tahattoman käynnistysriskin.
 - d) **Säilytä sähkötyökalut poissa lasten ulottuvilta, kun niitä ei käytetä. Älä anna sellaisten henkilöiden käyttää sähkötyökalua, jotka eivät tunne sitä tai jotka eivät ole lukeneet tätä käyttöohjetta.** Sähkötyökalut ovat vaarallisia, jos niitä käyttävät kokemattomat henkilöt.
 - e) **Hoida sähkötyökalusi huolella. Tarkista, että liikkuvat osat toimivat moitteettomasti, eivätkä ole puristuksessa sekä, että siinä ei ole murtuneita tai vahingoittuneita osia, jotka saattaisivat vaikuttaa haitallisesti sähkötyökalun toimintaan. Anna korjauttaa mahdolliset viat ennen käyttöönottoa.** Monen tapaturman syyt löytyvät huonosti huolletuista laitteista.
 - f) **Pidä leikkausterät terävinä ja puhtaina.** Huolellisesti hoidetut leikkaustyökalut, joiden leikkausreunat ovat teräviä, eivät tartu helposti kiinni ja niitä on helpompi hallita.

g) Käytä sähkötyökaluja, tarvikkeita, vaihtotyökaluja jne. näiden ohjeiden mukaisesti. Ota tällöin huomioon työolosuhteet ja suoritettava toimenpide. Sähkötyökalun käyttö muuhun kuin sille määrättyyn käyttöön, saattaa johtaa vaarallisiin tilanteisiin.

5) AKKUKÄYTTÖISTEN SÄHKÖTYÖKALUJEN KÄYTTÖ JA HOITO

a) Lataa akku vain valmistajan määräämässä latauslaitteessa. Latauslaite, joka soveltuu määrättyntyyppiselle akulle, saattaa muodostaa tulipalovaaran erilaista akkua ladattaessa.

b) Käytä sähkötyökalussa ainoastaan kyseiseen sähkötyökaluun tarkoitettua akkua. Jonkun muun akun käyttö saattaa johtaa loukkaantumiseen ja tulipaloon.

c) Pidä irrallista akkua loitolla metalliesineistä, kuten paperinliittimistä, kolikoista, avaimista, nauloista, ruuveista tai muista pienistä metalliesineistä, jotka voivat oikosulkea akun koskettimet.

Akkukoskettimien välinen oikosulku saattaa aiheuttaa palovammoja tai johtaa tulipaloon.

d) Väärästä käytöstä johtuen saattaa akusta vuotaa nestettä, jota ei tule koskettaa. Jos nestettä vahingossa joutuu iholle, huuhtele kosketuskohta vedellä. Jos nestettä pääsee silmiin, tarvitaan tämän lisäksi lääkärin apua. Akusta vuotava neste saattaa aiheuttaa ärsytystä ja palovammoja.

6) HUOLTO

a) Anna koulutettujen ammattihenkilöiden korjata sähkötyökalusi ja hyväksy korjauksiin vain alkuperäisiä varaosia. Täten varmistat, että sähkötyökalu säilyy turvallisena.

AKKURUUVINVÄÄNTIMEN/-PORAKONEEN TURVALLISUUSOHJEET

- Vältä vaaralliset vahingot, jotka voivat aiheutua nauloista, ruuveista tai muista aineista työstettävässä materiaalissa; poista ne ennen työskentelyn aloittamista
- Tarkista aina, että syöttöjännite on sama kuin latauslaitteen nimiltaan osoittama jännite (latauslaitetta, joiden jännitetaso on 230V tai 240V, voidaan kytkeä myös 220V tason jännitteeseen)
- Jos huomaat sähköisen tai mekaanisen vian, sammuta kone heti tai irrota latauslaite ajaksi pistorasiasta
- SKIL pystyy takaamaan työkalun moitteettoman toiminnan vain, kun käytetään oikeita tarvikkeita, jotka ovat saatavana SKIL-myyntiliikkeestä
- Käytä vain tarvikkeita, joiden sallittu kierrosluku on vähintään yhtä suuri kuin laitteen suurin tyhjäkäyntikierrosluku
- Tätä työkalua saavat käyttää vain 16 vuotta täyttäneet henkilöt
- **Kiinnitä työstettävä kappale** (kiinnittimeen tai puristimeen kiinnitetty työstettävä kappale pysyy tukevammin paikoillaan kuin käsin pidettäessä)

- Tartu sähkötyökaluun ainoastaan eristetyistä pinnoista, tehdesäsi työtä, jossa saattaisit osua piilossa olevaan sähköjohtoon tai sahan omaan sähköjohtoon (kosketus jännitteeseen johtoon saattaa myös sähkötyökalun metalliosat jännitteisiksi ja johtaa sähköiskuun)
- Käytä sopivia etsintälaitteita piilossa olevien syöttöjohtojen paikallistamiseksi, tai käänny paikallisen jakeluyltiön puoleen (kosketus sähköjohtoon saattaa johtaa tulipaloon ja sähköiskuun; kaasuputken vahingoittaminen saattaa johtaa räjähdykseen; vesijohtoon tunkeutuminen aiheuttaa aineellista vahinkoa tai saattaa johtaa sähköiskuun)
- Älä koskaan työstä asbestipitoista ainetta (asbestia pidetään karsinogeenisena)
- Materiaaleista, kuten liijyypitoinen maali, jotkut puulajit, mineraalit ja metalli, tuleva pöly voi olla vahingollista (kosketuksiin joutuminen pölyn kanssa tai sen sisään hengittäminen voi aiheuttaa käyttäjälle tai sivustakatsojille allergiareaktioita ja/tai hengitysvaivoja); käytä pölynaamaria ja työskentele pölynpoistolaitteen kanssa, kun sellainen on liitettävissä
- Tietyntyypiset pölyt on luokiteltu karsinogeenisiksi (kuten tammi- ja pyökkipöly) erityisesti puun käsittelyyn käytettävien lisäaineiden yhteydessä; käytä pölynaamaria ja työskentele pölynpoistolaitteen kanssa, kun sellainen on liitettävissä
- Noudata maakohtaisia pölyyn liittyviä sääntöjä
- Varmista, että kytkin F ② on keskellä (lukitus)asennossa, ennen kuin suoritat säätöjä, vaihdat tarvikkeita tai siirät koneen varastoitavaksi

LATAAMINEN/AKKU

- Lataa akku vain koneen mukana toimitetulla latauslaitteella
- Älä koske latauslaitteessa olevia releitä
- Suojele konettasi/latauslaitetta/akkua sateelta
- Säilytä konettasi/latauslaitetta/akkua paikoissa, joissa lämpötila ei nouse yli 40°C, eikä laske alle 0°C
- Akut räjähtävät, jos ne hävitetään polttamalla, joten älä missään tapauksessa polta niitä
- Älä käytä vahingoittunutta latauslaitetta; vaan toimita se SKIL-keskushuoltoon tarkastettavaksi
- Älä käytä latauslaitetta, kun johto tai pistoke on vioittunut; johto ja pistoke olisi heti vaihdettava SKIL-keskushuollossa
- Älä käytä vahingoittunutta akkua, vaan vaihda se välittömästi
- Älä pura itse latauslaitetta tai akkua
- Älä lataa ladattavaksi soveltumattomia akkuja tällä laturilla
- Laturissa/akussa olevien symbolien selitykset
 - ① Lue käyttöohjeet ennen käyttöä
 - ② Käytä laturia vain sisätiloissa
 - ③ Kaksoiseristys (ei tarvita maaajohtoa)
 - ④ Latauskytkennän väärä napaisuus voi aiheuttaa vaaran (lataa akku ainoastaan mukana tulevalla laturilla)

- ⑦ Älä hävitä latauslaitetta tavallisen kotitalousjätteen mukana
- ⑧ Älä hävitä akkua tavallisen kotitalousjätteen mukana
- ⑨ NiMH-tekniologialla aikaansaadaan enemmän energiaa ympäristöä vähemmän saastuttavalla tavalla

KÄYTTÖ

- Akun lataaminen ⑩
 - uusien koneiden akku ei ole ladattu
 - yhdistä latauslaitteen pistoke virtalähteeseen
 - valo B syttyy
 - aseta akku latauslaitteeseen
 - valo B vilkkuu ilmoittaen, että akku saa latauksen (⑩a)
 - noin 2-3 tunnin kuluttua akku on täysin ladattu ja valo B syttyy vilkkumisen jälkeen palamaan jatkuvasti, jolloin latauslaite kytketty automaattisesti säilytyslataukselle (⑩b)
- ! **irrota akku latauslaitteesta sen jälkeen kun lataus on valmis pidentääksesi akun käyttöikää**
- TÄRKEÄÄ HUOMIOITAVAA:
 - jos valo B ei vilku, kun akku on asetettu latauslaitteeseen (⑩b), se voi merkitä, että:
 - 1) on liian kylmää tai liian kuumaa (latauslaite lataa akkuja vain, kun lämpötila on 0-45°C); tällöin latauslaite kytketty automaattisesti säilytyslataukselle, kunnes on saavutettu 0-45°C:n välinen lämpötila, jolloin latauslaite automaattisesti kytketty normaali lataukseen
 - 2) akku on loppuunkäytetty ja vaihdettava uuteen
 - lataamisen aikana akku voi tuntua lämpimältä, kun sitä kosketellaan; tämä on normaalia eikä merkki mistään ongelmasta
 - varmista, että akku on puhdas ja kuiva, ennen kuin asetat sen latauslaitteeseen
 - älä lataa alle 0°C:n tai yli 40°C:n lämpötiloissa; akun ja latauslaite vaurioituvat siitä
 - älä irrota akkua koneen käydessä
- ! **uusi tai kauan käyttämättä ollut akku saavuttaa täyden tehonsa vasta n. 5 lataus-purkausjakson jälkeen**
- älä lataa akkua uudelleen muutaman minuutin käytön jälkeen; tämä saattaa vähentää käyttöikää ja akun tehoa
- nikkelimetallihydridi-akkua ei saa jättää luontoon eikä heittää pois normaalin kotitalousjätteen tapaan (symboli ⑧ muistuttaa tästä, kun käytöstä poisto tulee ajankohtaiseksi)
- ! **poistaessasi akun käytöstä peitä plus- ja miinusnapa sähköteipillä oikosulun estämiseksi**
- jos on odotettavissa, että työkalua ei käytetä pitkään aikaan, on parasta irrottaa latauslaite virtalähteestä
- Käynnistys ja nopeuden säätö samalla kytkimellä A ②
 - Valitse nopeus portaattomasti nollassa maksiminopeuteen painamalla enemmän tai vähemmän kytkintä

- Pyörintäsuunnan vaihto ⑪
 - jos säätöä ei ole oikein asetettu vasen/oikea asentoon, kytkintä A ② ei voi käynnistää
 - ! **muuta pyörintäsuuntaa vain kun työkalu on täysin pysäytetty**
- Kärkien vaihto ⑫
 - aseta kärki mahdollisimman syvälle istukkaan
 - ! **älä käytä kärkiä, joiden varsi on vahingoittunut**
 - ! **käytä vain teräviä kärkiä**
- Vääntömomentin säätö (VariTorque) ⑬
 - rajoittaa istukan vääntömomenttia (26 eri säätömahdollisuutta)
 - vääntömomentti kasvaa käännettäessä kytkimen rengasta C 1:stä 25:ään; asento D on porausasento, jossa suurta momenttia vaativa ruuvinvääntö on mahdollista
 - ruuvia kiinnittäessäsi koeta ensin VariTorque-säädintä asennolla 1, koeta sen jälkeen seuraavia asentoja, kunnes toivottu syvyys on saavutettu
- Mekaaninen vaihteenvaihto ⑭
 - aseta valitsin E haluamaasi kierrosluvun asentoon
 - ! **käytä vaihteenvaihtoa kun kone pyörii hiljaa**
- SUURI TEHO
 - suuri vääntömomentti
 - ruuvinvääntöön ja isojen reikien poraukseen
 - kierreitykseen
- SUUREMPI NOPEUS
 - alhaisempi vääntömomentti
 - pienien reikien poraukseen
- Akun lataustilan näyttö ⑮
 - Ilmoittaa akun lataustilan
- Koneen pitäminen ja ohjaaminen
 - pidä ilmanvaihto-aukkoja H ② peittämättöminä
 - älä paina työkalua liian voimakkaasti; vaan anna työkalun tehdä työ puolestasi

VINKKEJÄ

- Porattaessa rautametalleja
 - poraa ensin pienempi esireikä ja jatka sitten isommalla terällä
 - voitele poranterä ajoittain öljyllä
- Kun ruuvi väännetään lähelle puun reunaa, pitää porata esireikä ruuvia varten, jotta estetään puun halkeaminen
- Jotta laitteesta saataisiin mahdollisimman suuri hyöty, ruuvia on painettava tasaisesti, varsinkin ruuvia irrotettaessa
- Väännettäessä ruuveja kovan puuhun tulisi ensin porata esireikä
- Tärinätaso
 - Tämän ohjekirjan takana mainittu tärinäsaateilytaso on mitattu standardin EN 60745 mukaisen standarditestin mukaisesti; sitä voidaan käyttää verrattaessa yhtä laitetta toiseen sekä alustavana tärinälle altistumisen arviona käytettäessä laitetta manituissa käyttötarkoituksissa
 - laitteen käyttö eri käyttötarkoituksiin tai erilaisten tai huonosti ylläpidettyjen lisälaitteiden kanssa voi lisätä merkittävästi altistumistasoa

- laitteen ollessa sammutuksissa tai kun se on käynnissä, mutta sillä ei tehdä työtä, altistumistaso voi olla huomattavasti **pienempi**
- ! **suojaudu tärinän vaikutuksilta ylläpitämällä laite ja sen lisävarusteet, pitämällä kädet lämpiminä ja järjestämällä työmenetelmät**

HOITO / HUOLTO

- Pidä koneesi ja latauslaite puhtaana
 - puhdista latauslaitteen virtanavat alkohoolilla tai kosketinkärkien puhdistukseen tarkoitettulla puhdistusaineella
- ! **irrota latauslaite aina puhdistuksen ajaksi pistorasista**
- Jos sähkötyökalussa/latauslaitteessa, huolellisesta valmistuksesta ja koestusmenettelystä huolimatta esiintyy vikaa, tulee korjaus antaa SKIL sopimushuollon tehtäväksi
 - toimita työkalu tai latauslaite sitä osiin **purkamatta** lähimpään SKIL-huoltoon (osoitteet ja työkalun huoltokaava ovat tarjolla web-osoitteessa www.skileurope.com) ostotodiste mukaan liitettynä

YMPÄRISTÖSUOJELU

- **Älä hävitä sähkötyökalua, tarvikkeita tai pakkausta tavallisen kotitalousjätteen mukana** (koskee vain EU-maita)
 - vanhoja sähkö- ja elektroniikkalaitteita koskevan EU-direktiivin 2002/96/ETY ja sen maakohtaisten sovellusten mukaisesti käytetyt sähkötyökalut on toimitettava ongelmajätteen keräyspisteeseen ja ohjattava ympäristöystävälliseen kierrätykseen
 - symboli ⑦ muistuttaa tästä, kun käytöstä poisto tulee ajankohtaiseksi

E

**Taladradora/ 2502/2602/2702
atornilladora sin cable**

INTRODUCCIÓN

- Esta herramienta ha sido proyectada para taladrar en madera, metal, cerámica y materiales sintéticos; las herramientas con control electrónico de la velocidad y de giro a derecha e izquierda son también adecuadas para atornillar y tallar roscas
- Lea y conserve este manual de instrucciones ③

CARACTERÍSTICAS TÉCNICAS ①

ELEMENTOS DE LA HERRAMIENTA ②

- A Interruptor para encendido/apagado y control de velocidad
- B Luz (cargador)
- C Anillo para regulación del par de apriete
- D Posición de bloqueo (embrague)
- E Selector de velocidad
- F Interruptor para invertir la dirección de giro
- G Portabrocas sin llave
- H Ranuras de ventilación
- J Cargador

SEGURIDAD

INSTRUCCIONES GENERALES DE SEGURIDAD

⚠ ¡ATENCIÓN! Lea íntegramente estas advertencias de peligro e instrucciones. En caso de no atenerse a las advertencias de peligro e instrucciones siguientes, ello puede ocasionar una descarga eléctrica, un incendio y/o lesión grave. **Guardar todas las advertencias de peligro e instrucciones para futuras consultas.** El término “herramienta eléctrica” empleado en las siguientes advertencias de peligro se refiere a herramientas eléctricas de conexión a la red (con cable de red) y a herramientas eléctricas accionadas por acumulador (o sea, sin cable de red).

1) SEGURIDAD DEL PUESTO DE TRABAJO

- a) **Mantenga limpia y bien iluminada su área de trabajo.** El desorden o una iluminación deficiente en las áreas de trabajo pueden provocar accidentes.
- b) **No utilice la herramienta eléctrica en un entorno con peligro de explosión, en el que se encuentren combustibles líquidos, gases o material en polvo.** Las herramientas eléctricas producen chispas que pueden llegar a inflamar los materiales en polvo o vapores.
- c) **Mantenga alejados a los niños y otras personas de su área de trabajo al emplear la herramienta eléctrica.** Una distracción le puede hacer perder el control sobre la herramienta.

2) SEGURIDAD ELÉCTRICA

- a) **El enchufe de la herramienta debe corresponder a la toma de corriente utilizada. No es admisible modificar el enchufe en forma alguna. No emplear adaptadores en herramientas dotadas con una toma de tierra.** Los enchufes sin modificar adecuados a las respectivas tomas de corriente reducen el riesgo de una descarga eléctrica.
- b) **Evite que su cuerpo toque partes conectadas a tierra como tuberías, radiadores, cocinas y refrigeradores.** El riesgo a quedar expuesto a una descarga eléctrica es mayor si su cuerpo tiene contacto con tomas de tierra.

- c) **No exponga las herramientas eléctricas a la lluvia o a condiciones de humedad.** Existe el peligro de recibir una descarga eléctrica si penetran líquidos en la herramienta.
- d) **No utilice el cable de red para transportar o colgar la herramienta, ni tire de él para sacar el enchufe de la toma de corriente. Mantenga el cable de red alejado del calor, aceite, esquinas cortantes o piezas móviles.** Los cables de red dañados o enredados pueden provocar una descarga eléctrica.
- e) **Al trabajar con la herramienta eléctrica en la intemperie utilice solamente cables de prolongación homologados para su uso en exteriores.**
La utilización de un cable de prolongación adecuado para su uso en exteriores reduce el riesgo de una descarga eléctrica.
- f) **Si el funcionamiento de una herramienta eléctrica en un lugar húmedo fuese inevitable, utilice un cortacircuito de fuga a tierra.** El uso de un cortacircuito de fuga a tierra reduce el riesgo de descarga eléctrica.

3) SEGURIDAD DE PERSONAS

- a) **Esté atento y emplee la herramienta con prudencia. No utilice la herramienta eléctrica si estuviese cansado, ni bajo los efectos de alcohol, drogas o medicamentos.** El no estar atento durante el uso de una herramienta eléctrica puede provocarle serias lesiones.
- b) **Utilice un equipo de protección personal y en todo caso unas gafas de protección.** El riesgo a lesionarse se reduce considerablemente si, dependiendo del tipo y la aplicación de la herramienta eléctrica empleada, se utiliza un equipo de protección adecuado como una mascarilla antipolvo, zapatos de seguridad con suela antideslizante, casco, o protectores auditivos.
- c) **Evite una puesta en marcha fortuita. Asegurarse de que la herramienta eléctrica esté desconectada antes de conectarla a la toma de corriente y/o al montar el acumulador, al recogerla, y al transportarla.** Si transporta la herramienta eléctrica sujetándola por el interruptor de conexión/desconexión, o si introduce el enchufe en la toma de corriente con la herramienta eléctrica conectada, ello puede dar lugar a un accidente.
- d) **Retire las herramientas de ajuste o llaves fijas antes de conectar la herramienta eléctrica.**
Una herramienta o llave colocada en una pieza rotativa puede producir lesiones graves al accionar la herramienta eléctrica.
- e) **Sea precavido. Trabaje sobre una base firme y mantenga el equilibrio en todo momento.** Ello le permitirá controlar mejor la herramienta eléctrica en caso de presentarse una situación inesperada.
- f) **Lleve puesta una vestimenta de trabajo adecuada. No utilice vestimenta amplia ni joyas. Mantenga su pelo, vestimenta y guantes alejados de las piezas móviles.** La vestimenta suelta, las joyas y el pelo que se pueden enganchar con las piezas en movimiento.

- g) **Siempre que sea posible utilizar equipos de aspiración o captación de polvo, asegúrese que éstos estén montados y que sean utilizados correctamente.** El empleo de estos equipos reduce los riesgos derivados del polvo.

4) CUIDADO Y UTILIZACIÓN DE HERRAMIENTAS ELÉCTRICAS

- a) **No sobrecargue la herramienta. Use la herramienta prevista para el trabajo a realizar.** Con la herramienta adecuada podrá trabajar mejor y con mayor seguridad dentro del margen de potencia indicado.
 - b) **No utilice herramientas con un interruptor defectuoso.** Las herramientas que no se puedan conectar o desconectar son peligrosas y deben repararse.
 - c) **Saque el enchufe de la red y/o desmonte el acumulador antes de realizar un ajuste en la herramienta eléctrica, cambiar de accesorio o al guardar la herramienta eléctrica.** Esta medida preventiva reduce el riesgo de conectar accidentalmente la herramienta.
 - d) **Guarde las herramientas fuera del alcance de los niños y de las personas que no estén familiarizadas con su uso.** Las herramientas utilizadas por personas inexpertas son peligrosas.
 - e) **Cuide sus herramientas con esmero. Controle si funcionan correctamente, sin atascarse, las partes móviles de la herramienta, y si existen partes rotas o deterioradas que pudieran afectar al funcionamiento de la herramienta. Si la herramienta eléctrica estuviese defectuosa haga repararla antes de volver a utilizarla.** Muchos de los accidentes se deben a herramientas con un mantenimiento deficiente.
 - f) **Mantenga los útiles limpios y afilados.** Los útiles mantenidos correctamente se dejan guiar y controlar mejor.
 - g) **Utilice herramientas eléctricas, accesorios, útiles, etc. de acuerdo con estas instrucciones, teniendo en cuenta las condiciones de trabajo y la tarea a realizar.** El uso de herramientas eléctricas para trabajos diferentes de aquellos para los que han sido concebidas puede resultar peligroso.
- ### 5) CUIDADO Y UTILIZACIÓN DE HERRAMIENTAS ACCIONADAS POR ACUMULADOR
- a) **Cargue los acumuladores únicamente con los cargadores recomendados por el fabricante.** Existe riesgo de incendio al intentar cargar acumuladores de un tipo diferente al previsto para el cargador.
 - b) **Emplee únicamente los acumuladores previstos para la herramienta eléctrica.** El uso de otro tipo de acumuladores puede provocar daños e incluso un incendio.
 - c) **Si no utiliza el acumulador, guárdelo separado de clips, monedas, llaves, clavos, tornillos o demás objetos metálicos que pudieran puentear sus contactos.** El cortocircuito de los contactos del acumulador puede causar quemaduras o un incendio.

d) **La utilización inadecuada del acumulador puede provocar fugas de líquido. Evite el contacto con él. En caso de un contacto accidental enjuagar el área afectada con abundante agua. En caso de un contacto con los ojos recurra además inmediatamente a un médico.** El líquido del acumulador puede irritar la piel o producir quemaduras.

6) SERVICIO

a) **Únicamente haga reparar su herramienta eléctrica por un profesional, empleando exclusivamente piezas de repuesto originales.** Solamente así se mantiene la seguridad de la herramienta eléctrica.

INSTRUCCIONES DE SEGURIDAD PARA TALADROS/ ATORNILLADORES

- Evite los daños que puedan causar los tornillos, clavos y otros objetos sobre la pieza de trabajo; retírelos antes de empezar a trabajar
- Compruebe siempre que la tensión de alimentación es la misma que la indicada en la placa de características del cargador (los cargadores de 230V o 240V pueden conectarse también a 220V)
- En caso de un mal funcionamiento eléctrico o mecánico se debe parar inmediatamente la herramienta o desenchufar el cargador de la red
- SKIL únicamente puede garantizar un funcionamiento correcto de la herramienta, cuando se utilicen los accesorios adecuados que podrá obtener de su proveedor de SKIL
- Utilice únicamente accesorios cuyo límite de revoluciones permitido sea como mínimo igual a las revoluciones en vacío máximas de la herramienta
- Esta herramienta no debe utilizarse por personas menores de 16 años
- **Asegure la pieza de trabajo** (una pieza de trabajo fijada con unos dispositivos de sujeción o en un tornillo de banco, se mantiene sujeta de forma mucho más segura que con la mano)
- **Sujete la herramienta únicamente por las empuñaduras aisladas al realizar trabajos en los que el accesorio pueda tocar conductores eléctricos ocultos o el propio cable de la herramienta** (el contacto con conductores portadores de tensión puede hacer que las partes metálicas de la herramienta le provoquen una descarga eléctrica)
- **Utilice aparatos de detección adecuados para localizar posibles conductores o tuberías ocultas, o consulte a su compañía abastecedora** (el contacto con conductores eléctricos puede provocar una descarga eléctrica e incluso un incendio; al dañar una tubería de gas puede producirse una explosión; la perforación de una tubería de agua pueden causar daños materiales o una descarga eléctrica)
- **No trabaje materiales que contengan amianto** (el amianto es cancerígeno)

- El polvo del material, como por ejemplo la pintura que contiene plomo, algunas especies de madera, minerales y metal podrían ser dañinos (el contacto o inhalación del polvo podría producir reacciones alérgicas y/o trastornos respiratorios al operador u otras personas cerca); **utilice una máscara contra el polvo y trabaje con un dispositivo de extracción de polvo cuando lo conecte**
- Ciertos tipos de polvo están catalogados como cancerígenos (por ejemplo el polvo de roble y de haya) especialmente junto con aditivos para el acondicionamiento de la madera; **utilice una máscara y trabaje con un dispositivo de extracción de polvo cuando lo conecte**
- Siga la normativa nacional en cuanto a extracción de polvo, en función de los materiales que vayan a ser utilizados
- Cerciorarse de que el interruptor F (2) está en la posición central (posición de bloqueo) antes de realizar ajustes en la herramienta o un cambio de accesorios así como para el transporte o para guardar la herramienta

RECARGA/BATERÍAS

- Recargue la batería únicamente con el cargador suministrado
- No toque los terminales del cargador
- No exponga la herramienta/cargador/batería a la lluvia
- Guarde la herramienta/cargador/batería en un lugar donde la temperatura no exceda los 40°C ni baje de 0°C
- Las baterías estallarán si se tiran al fuego, por ningún motivo caliente las baterías.
- No utilice el cargador si está dañado; llévelo a uno de los servicios técnicos autorizados de SKIL para hacer el examen de seguridad
- No utilice el cargador cuando el cable o la clavija estén dañados; el cable o la clavija deben cambiarse inmediatamente en uno de los servicios técnicos autorizados de SKIL
- Nunca utilice la batería estropeada; debe de ser cambiada inmediatamente
- No desarme el cargador o la batería
- No intente recargar las baterías no recargables con el cargador
- Explicación de los símbolos del cargador/batería
 - ③ Lea el manual de instrucciones antes de utilizarla
 - ④ Sólo utilice el cargador en interiores
 - ⑤ Doble aislamiento (no requiere cable de tierra)
 - ⑥ Una polaridad incorrecta en la conexión del cargador podría causar daños (sólo cargue la batería con el cargador suministrado)
 - ⑦ No deseche el cargador junto con los residuos domésticos
 - ⑧ No deseche la batería junta con los residuos domésticos
 - ⑨ La tecnología NiMH proporciona más energía de una manera menos contaminante

USO

- Recargue de la batería (10)
 - la batería de herramientas nuevas no está completamente cargada
 - enchufar el cargador a la red
 - la luz B se encenderá
 - introduzca la batería en el cargador
 - la luz B roja parpadeará indicando que la batería está recibiendo una carga (10a)
 - después de aproximadamente 2-3 horas la batería estará cargada y la luz B dejará de parpadear y permanecerá encendida a cuyo tiempo el cargador automáticamente cortará la corriente y pasará a carga lenta (10b)

! retire la batería del cargador después de que se haya cumplido el tiempo de recarga; con ello se prolonga la vida útil de la batería

IMPORTANTE:

- si la luz B no parpadea tras colocar la batería (10b), esto puede significar:
 - 1) esta demasiado fría o demasiado caliente (el cargador sólo carga la batería cuando su temperatura está entre 0°C y 45°C) en cuyo caso el cargador automáticamente cortará la corriente y pasará a carga lenta, hasta que se alcance la temperatura entre 0°C y 45°C, desde ese momento el cargador pasará a carga normal
 - 2) que la batería deberá ser reemplazada
- mientras esté cargando, el cargador y la batería pueden calentarse demasiado; esto es normal y no indica ningún problema
- asegúrese de que la superficie exterior de la batería esté limpia y seca antes de insertarla en el cargador
- no recargue las baterías a temperaturas por debajo de 0°C o por encima de 40°C; puede dañar seriamente la batería y el cargador
- no desconecte la batería de la herramienta mientras ésta esté en marcha
- ! una batería nueva o que no haya sido usada durante largo tiempo alcanza su plena potencia después de aproximadamente 5 ciclos de carga/descarga**
- no recargue la batería repetidamente después del uso por algunos minutos; a consecuencia de esto se puede reducir la potencia de la batería
- la batería níquel metal hidruro debe de ser apartada del ambiente natural y no hay que considerarla como despojo doméstico normal (símbolo 8) llamará su atención en caso de necesidad de tirarla)
- ! es prioritario disponer de terminales protectores de baterías para evitar un corto circuito**
- si usted prevee largos periodos de inactividad de la herramienta, sería conveniente desenchufar el cargador de la red
- Interruptor combinado A (2) on/off y control de velocidad
Controla la velocidad acelerando de 0 hasta la máxima, apretando el gatillo acelerador

- Inversión de la dirección de giro (11)
 - si el inversor de giro no está adecuadamente colocado en la posición izquierda/derecha, el interruptor A (2) no podrá ser activado
 - ! sólo invierta la dirección de giro cuando la herramienta esté completamente parada**
 - Cambio de brocas (12)
 - introduzca la broca lo más profundo posible dentro del portabrocas
 - ! no utilice brocas con un mago deteriorado**
 - ! utilice únicamente brocas afiladas**
 - Control del par de apriete (VariTorque) (13)
 - para regular la potencia del par de apriete dado por el portabrocas (26 ajustes de embrague)
 - el par de apriete puesto se aumentará cuando el anillo de embrague C será cambiado de la posición 1 al 25; en la posición D el portabrocas está bloqueado, con este será posible trabajos pesados como atornillar y taladrar
 - al apretar un tornillo, empiece a utilizar VariTorque en la posición 1 y vaya aumentando hasta alcanzar la profundidad deseada
 - Selector de velocidad mecánico (13)
 - coloque el selector E en la velocidad deseada
 - ! accione el selector de velocidad mientras la herramienta marcha lentamente**
- GRAN POTENCIA**
- par de apriete elevado
 - para atornillar y taladrar grandes diámetros
 - para roscar de tornillo
- GRAN VELOCIDAD**
- par de apriete inferior
 - para taladrar pequeños diámetros
- Indicador del nivel de batería (14)
Muestra cuánta energía queda aún
- Sujeción y manejo de la herramienta
 - mantenga las ranuras de ventilación H (2) descubiertas
 - no ejerza demasiada presión en la herramienta; deje que la herramienta haga su trabajo

CONSEJOS DE APLICACIÓN

- Al taladrar metales ferrosos
 - pretaladre antes un agujero pequeño
 - lubrique de cuando en cuando la broca con aceite
- Taladrar de antemano un agujero para poder atornillar en/cerca o al lado de la madera para prevenir la rotura de ésta
- Para un uso óptimo de su herramienta es necesaria una presión constante sobre el tornillo ante todo en la extracción del mismo
- Cuando atornille en madera dura realice un pequeño agujero previamente

- Nivel de vibración

El nivel de emisión de vibraciones indicado en la parte posterior de este manual de instrucciones ha sido medido según una prueba estándar proporcionada en EN 60745; puede utilizarse para comparar una herramienta con otra y como valoración preliminar de la exposición a las vibraciones al utilizar la herramienta con las aplicaciones mencionadas

- al utilizarla para distintas aplicaciones o con accesorios diferentes o con un mantenimiento deficiente, podría **augmentar** de forma notable el nivel de exposición

- en las ocasiones en que se apaga la herramienta o cuando está funcionando pero no está realizando ningún trabajo, se podría **reducir** el nivel de exposición de forma importante

! **protégase contra los efectos de la vibración realizando el mantenimiento de la herramienta y sus accesorios, manteniendo sus manos calientes y organizando sus patrones de trabajo.**

MANTENIMIENTO / SERVICIO

- Mantenga su herramienta y el cargador limpios

- limpie los contactos del cargador con alcohol o con la solución Contact Clear

! **antes de limpiar el cargador desenchufarlo de la red**

- Si a pesar de los esmerados procesos de fabricación y control, la herramienta/el cargador llegase a averiarse, la reparación deberá encargarse a un servicio técnico autorizado para herramientas eléctricas SKIL

- envíe la herramienta o el cargador **sin desmontar** junto con una prueba de su compra a su distribuidor o a la estación de servicio más cercana de SKIL (los nombres así como el despiece de piezas de la herramienta figuran en www.skileurope.com)

AMBIENTE

- **No deseché las herramientas eléctricas, los accesorios y embalajes junto con los residuos domésticos** (sólo para países de la Unión Europea)

- de conformidad con la Directiva Europea 2002/96/CE sobre residuos de aparatos eléctricos y electrónicos y su aplicación de acuerdo con la legislación nacional, las herramientas eléctricas cuya vida útil haya llegado a su fin se deberán recoger por separado y trasladar a una planta de reciclaje que cumpla con las exigencias ecológicas

- símbolo ⑦ llamará su atención en caso de necesidad de tirarlas

P

Berbequim/ 2502/2602/2702 aparafusadora sem fio

INTRODUÇÃO

- A ferramenta é determinada para furar em madeira, metal, cerâmica e plástico; ferramentas com regulação electrónica da velocidade e marcha a direita/esquerda também são apropriadas para aparafusar e cortar roscas
- Leia e guarde este manual de instruções ③

ESPECIFICAÇÕES TÉCNICAS ①

ELEMENTOS DA FERRAMENTA ②

- A Interruptor para ligar/desligar e regulação da velocidade
- B Luz (cargador)
- C Anel para regulação do aperto
- D Posição de fixação (embraiação)
- E Comutador de marchas
- F Comutador para inverter o sentido da rotação
- G Bucha sem chave
- H Aberturas de ventilação
- J Carregador

SEGURANÇA

INSTRUÇÕES DE SEGURANÇA GERAIS

⚠ ATENÇÃO! Devem ser lidas todas as indicações de advertência e todas as instruções. O desrespeito das advertências e instruções apresentadas abaixo pode causar choque eléctrico, incêndio e/ou graves lesões. **Guarde bem todas as advertências e instruções para futura referência.** O termo “ferramenta eléctrica” utilizado a seguir nas indicações de advertência, refere-se a ferramentas eléctricas operadas com corrente de rede (com cabo de rede) e a ferramentas eléctricas operadas com acumulador (sem cabo de rede).

1) SEGURANÇA DA ÁREA DE TRABALHO

- a) **Mantenha a sua área de trabalho limpa e arrumada.** Desordem ou áreas de trabalho com fraca iluminação podem causar acidentes.
- b) **Não trabalhar com a ferramenta eléctrica em áreas com risco de explosão, nas quais se encontrem líquidos, gases ou pós inflamáveis.** Ferramentas eléctricas produzem faíscas que podem provocar a ignição de pó e vapores.
- c) **Mantenha crianças e outras pessoas afastadas da ferramenta eléctrica durante o trabalho com a ferramenta.** Distrações podem causar a falta de controle sobre o aparelho.

2) SEGURANÇA ELÉCTRICA

- a) **A ficha da ferramentas eléctricas devem caber na tomada. A ficha não deve ser modificada de modo algum. Não utilize quaisquer fichas de adaptação junto com ferramentas eléctricas ligadas à terra.** Fichas sem modificações e tomadas adequadas reduzem o risco de choques eléctricos.
- b) **Evite que o corpo entre em contacto com superfícies ligadas à terra, como por exemplo tubos, radiadores, fogões e geladeiras.** Há um risco elevado de choques eléctricos, caso o corpo for ligado à terra.
- c) **A ferramenta eléctrica não deve ser exposta à chuva nem humidade.** A penetração de água na ferramenta eléctrica aumenta o risco de choques eléctricos.
- d) **O cabo do aparelho não deve ser utilizado para o transporte, para pendurar o aparelho, nem para puxar a ficha da tomada. Mantenha o cabo afastado de calor, óleo, cantos afiados ou partes em movimento do aparelho.** Cabos danificados ou torcidos aumentam o risco de choques eléctricos.
- e) **Ao trabalhar com a ferramenta eléctrica ao ar livre, use um cabo de extensão apropriado para áreas externas.** O uso de um cabo apropriado para áreas externas reduz o risco de choques eléctricos.
- f) **Se não for possível evitar o funcionamento da ferramenta eléctrica em áreas húmidas, deverá ser utilizado uma disjuntor de corrente de avaria.** A utilização de um disjuntor de corrente de avaria reduz o risco de um choque eléctrico.

3) SEGURANÇA DE PESSOAS

- a) **Esteja alerta, observe o que está a fazer, e tenha prudência ao trabalhar com a ferramenta eléctrica. Não use a ferramenta eléctrica se estiver fatigado ou sob a influência de drogas, álcool ou medicamentos.** Um momento de falta de atenção durante a operação da ferramenta eléctrica pode causar graves lesões.
- b) **Utilizar equipamento de protecção pessoal sempre óculos de protecção.** A utilização de equipamento de protecção pessoal, como máscara de protecção contra pó, sapatos de segurança antiderrapantes, capacete de segurança ou protecção auricular, de acordo com o tipo e aplicação da ferramenta eléctrica, reduz o risco de lesões.
- c) **Evitar uma colocação em funcionamento involuntária. Assegure-se de que a ferramenta eléctrica esteja desligada, antes de conectá-la à alimentação de rede e/ou ao acumulador, antes de levantá-la ou de transportá-la.** Se tiver o dedo no interruptor ao transportar a ferramenta eléctrica ou se o aparelho for conectado à alimentação de rede enquanto estiver ligado, poderão ocorrer acidentes.
- d) **Remover chaves de ajustes ou chaves de fenda, antes de ligar a ferramenta eléctrica.** Uma chave de fenda ou chave de ajuste que se encontre numa parte móvel do aparelho, pode levar a lesões.

- e) **Não se sobrestime. Mantenha uma posição firme e mantenha sempre o equilíbrio.** Desta forma poderá ser mais fácil controlar o aparelho em situações inesperadas.
- f) **Use roupa apropriada. Não use roupa larga ou jóias. Mantenha o cabelo, roupa e luvas afastadas de partes em movimento.** Roupas largas, jóias ou cabelos longos podem ser agarradas por partes em movimento.
- g) **Se for prevista a montagem de dispositivos de aspiração de pó e de dispositivos de recolha, assegure-se de que estão conectados e que sejam utilizados de forma correcta.** A utilização de uma aspiração de pó pode reduzir o perigo devido ao pó.

4) USO E TRATAMENTO DE FERRAMENTAS ELÉCTRICAS

- a) **Não sobrecarregue a ferramenta eléctrica. Use para o seu trabalho a ferramenta eléctrica correcta.** A ferramenta correcta realizará o trabalho de forma melhor e mais segura dentro da faixa de potência indicada.
- b) **Não utilize a ferramenta eléctrica se o interruptor não puder ser ligado nem desligado.** Qualquer ferramenta eléctrica que não possa ser controlada através do interruptor de ligar-desligar, é perigosa e deve ser reparada.
- c) **Puxar a ficha da tomada e/ou remover o acumulador antes de executar ajustes na ferramenta, de substituir acessórios ou de guardar a ferramenta.** Esta medida de segurança evita que a ferramenta eléctrica seja ligada acidentalmente.
- d) **Guarde ferramentas eléctricas que não estiverem sendo utilizadas, for a do alcance de crianças. Não permita que o aparelho seja utilizado por pessoas não familiarizadas com o mesmo ou que não tenham lido estas instruções.** Ferramentas eléctricas são perigosas nas mãos de pessoas sem treinamento.
- e) **Trate a sua ferramenta eléctrica com cuidado. Verifique se as partes móveis do aparelho funcionam perfeitamente e não emperram, se há peças quebradas ou danificadas, que possam influenciar o funcionamento do aparelho. Peças danificadas devem ser reparadas antes da utilização do aparelho.** Muitos acidentes tem como causa uma manutenção insuficiente das ferramentas eléctricas.
- f) **Mantenha as ferramentas de corte sempre afiadas e limpas.** Ferramentas de cortes devidamente tratadas, com cantos afiados travam com menos frequência e podem ser controladas com maior facilidade.
- g) **Use a ferramenta eléctrica, os acessórios os bits da ferramenta etc., de acordo com estas instruções. Considere também as condições de trabalho e o trabalho a ser efectuado.** A utilização da ferramenta eléctrica para outros fins que os previstos, pode resultar em situações perigosas.

5) USO E TRATAMENTO DE APARELHOS COM ACUMULADOR

- a) **Apenas deverá carregar em carregadores, acumuladores recomendados pelo fabricante.**
Um carregador que é apropriado para um tipo de acumulador, pode causar um incêndio se se for utilizado para carregar outros acumuladores.
- b) **Apenas utilize nas ferramentas eléctricas os acumuladores previstos.** A utilização de outros acumuladores pode levar a lesões e riscos de incêndio.
- c) **Quando o acumulador não estiver em uso, mantenha-o afastado de outros objectos de metal, como por exemplo agrafos, moedas, chaves, pregos, parafusos, ou outros pequenos objectos metálicos que possam ligar em ponte os contactos.**
Um curto circuito entre os contactos do acumulador pode causar queimaduras ou incêndio.
- d) **Aplicações inadequadas podem provocar fugas do líquido do acumulador. Evite o contacto com este líquido. No caso de um contacto accidental, lave imediatamente com água fresca. Se o líquido entrar em contacto com os olhos, procure um auxílio médico.** O líquido que escapa do acumulador pode levar a irritações ou queimaduras da pele.

6) SERVIÇO

- a) **A sua ferramenta eléctrica só deve ser reparada por pessoal qualificado e só devem ser colocadas peças sobressalentes originais.** Desta forma é assegurada a segurança da ferramenta eléctrica.

INSTRUÇÕES DE SEGURANÇA PARA APARAFUSADORAS/BERBEQUIMS SEM FIO

- Evite danificar a ferramenta em superfícies com pregos ou parafusos; remova-os antes de começar a trabalhar
- Certifique-se sempre de que a tensão de alimentação está de acordo com a tensão indicada na placa de identificação do carregador (carregadores com a indicação de 230V ou 240V também podem ser ligadas a uma fonte de 220V)
- Em caso de anomalias eléctricas ou mecânicas, desligue imediatamente a ferramenta ou desligue o carregador da fonte de corrente
- A SKIL só pode garantir um funcionamento perfeito da ferramenta, quando utilizada com os acessórios adequados que poderá adquirir nos revendedores autorizados SKIL
- Utilize apenas acessórios com um número de rotação admissível no mínimo tão alto como o mais alto número de rotação em vazio da ferramenta
- Esta ferramenta não deve ser utilizada por pessoas menores de 16 anos
- **Fixe a peça de trabalho** (uma peça de trabalho fixa com dispositivos de fixação ou num torno fica melhor fixa do que manualmente)

- **Ao executar trabalhos durante os quais podem ser atingidos cabos eléctricos ou o próprio cabo de rede deverá sempre segurar a ferramenta eléctrica pelas superfícies de punho isoladas** (o contacto com um cabo sob tensão também coloca peças de metal da ferramenta eléctrica sob tensão e leva a um choque eléctrico)
- **Utilizar detectores apropriados para detectar tubos e cabos de alimentação escondidos, ou consulte a firma de alimentação local** (o contacto com um cabo eléctrico pode levar a incêndio e choque eléctrico; a danificação de um cano de gás pode levar à explosão; a penetração de uma tubulação de água provoca danos materiais ou pode provocar um choque eléctrico)
- **Não processar material que contenha asbesto** (asbesto é considerado como sendo cancerígeno)
- O pó do material, como tinta com chumbo, algumas espécies de madeira, minerais e metais, pode ser prejudicial (contacto ou inalação do pó pode provocar reacções alérgicas e/ou doenças respiratórias ao operador ou às pessoas presentes); **use máscara respiratória e trabalhe com um dispositivo de extracção de pó quando ligado a**
- Determinados tipos de pó são classificados como substâncias cancerígenas (como pó de carvalho e faia), em especial, juntamente com aditivos para acondicionamento da madeira; **use máscara respiratória e trabalhe com um dispositivo de extracção de pó quando ligado a**
- Siga o regulamento nacional quanto a extração de pó, em função dos materiais que vão ser utilizados
- **Assegure-se que o interruptor F ② está na posição intermédia (de bloqueado) antes de efectuar ajustes na ferramenta ou substituir acessórios assim como quando transportar ou armazenar a ferramenta**

CARGA/BATERIAS

- Recarregue a bateria só com o carregador que é fornecido com a ferramenta
- Não toque nos terminais do carregador
- Não exponha a ferramenta/carregador/bateria à chuva
- Guarde a ferramenta/carregador/bateria em locais onde a temperatura não exceda os 40°C ou baixe os 0°C
- As baterias explodirão quando colocadas num fogo, por isso, não queime as baterias por nenhum motivo
- Não utilize o carregador se estiver danificado; leve-o a um dos Postos de Assistência autorizados SKIL para proceder a um teste
- Não utilize o carregador caso o fio ou tomada estejam danificados; quer o fio, quer a tomada deverão ser imediatamente substituídos num dos Postos de Assistência autorizados SKIL
- Não utilize baterias danificadas; devem ser substituídas imediatamente
- Não desmonte o carregador ou a bateria
- Não tente recarregar baterias não recarregáveis com o carregador

- Explicação dos símbolos do carregador/bateria
 - ③ Leia o manual de instruções antes de utilizar o equipamento
 - ④ Utilize apenas o carregador dentro de casa
 - ⑤ Isolamento duplo (nenhum fio de terra necessário)
 - ⑥ A polaridade incorrecta da ligação do carregador pode provocar perigo (carregue a bateria apenas com o carregador fornecido)
 - ⑦ Não deite o carregador no lixo doméstico
 - ⑧ Não deite a bateria no lixo doméstico
 - ⑨ A tecnologia NiMH fornece mais energia de uma forma menos poluidora para o ambiente

MANUSEAMENTO

- Recarga da bateria ⑩
 - a bateria das ferramentas novas não está totalmente carregada
 - ligar o carregador à fonte de corrente
 - a luz B acender-se-á
 - introduza a bateria no carregador
 - a luz B pisca informando que a bateria está a receber uma carga (⑩a)
 - após aproximadamente 2-3 horas a bateria estará completamente carregada, neste momento o carregador alterna para a operação de manutenção da carga e a luz B permanece acesa (⑩b)
- ! **desligue a bateria do carregador, após do período de carga ter terminado, para poder, assim, prolongar a duração da bateria**

IMPORTANTE:

- se a luz B não piscar aquando da inserção da bateria (⑩b), significa que:

1) está demasiado quente ou fria (o carregador apenas transmite carga se a bateria estiver a uma temperatura entre os 0°C e os 45°C); o carregador alternará para carga de manutenção até a bateria atingir a temperatura indicada, altura em que a operação de carga normal terá início

2) a bateria deverá ser substituída

- durante a carga o carregador e a bateria poderão aquecer; esta situação é normal
- assegure-se de que a superfície exterior da bateria está limpa e seca antes de a colocar no carregador
- não carregue a bateria abaixo dos 0°C e acima dos 40°C; isso danificará seriamente a bateria e o carregador
- não desligue a bateria da ferramenta enquanto ela estiver a trabalhar

! **uma bateria nova ou uma que não foi utilizada por muito tempo, apenas alcança a sua plena potência após aproximadamente 5 ciclos de carga/descarga**

- não recarregue repetidas vezes a bateria após apenas alguns minutos de uso; isto poderá resultar numa redução do tempo de trabalho e eficiência da bateria

- e preciso afastar a bateria níquel metal hídrico do ambiente natural e não têm que ser considerada como aparas domésticas normais (símbolo ⑧) lhe avisará em caso de necessidade de arranjar-la)
- ! **proteja os terminais da bateria com fita isoladora antes de a expor de modo a evitar curto-circuitos**
- se prever não utilizar a ferramenta por um longo período, deverá desligar o carregador da fonte de corrente
- Interruptor combinado A ② para ligar/desligar e controle da velocidade
 - O controle da velocidade é feito do zero até ao máximo possível, pressionando o gatilho, para mais ou para menos velocidade
- Inversão do sentido da rotação ⑪
 - quando não forem correctamente reguladas as posições esquerda/direita, o interruptor A ② não será accionado
- ! **inverte o comutador do sentido de rotação apenas quando a ferramenta desligada**
- Substituição de pontas ⑫
 - empurre a ponta o mais profundamente possível na bucha
- ! **não utilize pontas com encabadouros danificados ! utilize apenas pontas com pontas afiadas**
- Regulação do aperto (VariTorque) ⑬
 - limita o número de apertos na bucha (26 posições de embraiagem)
 - o aperto de saída aumentará logo que o anel de embraiagem C for movido de 1 para 25; a posição D fixa-se para a embraiagem permitir brocar ou furar por impulsos em trabalhos pesados
 - quando apertar um parafuso, comece usando VariTorque na posição 1 aumentando em seguida até a profundidade desejada
- Selecção mecânica de marcha ⑭
 - coloque o selector E na velocidade desejada
- ! **accione o selector de marcha em baixa rotação**
- ALTA POTÊNCIA
 - aperto forte
 - para aparafusar e furar grandes diâmetros
 - para rosca
- ALTA VELOCIDADE
 - aperto fraco
 - para furar pequenos diâmetros
- Indicador de nível da bateria ⑮
 - Mostra a energia disponível na bateria
- Segurar e guiar a ferramenta
 - mantenha as aberturas de ventilação H ② destapadas
 - não exerça demasiada pressão na ferramenta; deixe a ferramenta trabalhar espontaneamente

CONSELHOS DE APLICAÇÃO

- Quando perfurar metais ferrosos
 - faça primeiro um pequeno furo se necessitar abrir um furo maior
 - lubrifique frequentemente a broca com óleo adequado

- Quando apertar um parafuso num rebordo de madeira, ou perto dele, deverá primeiro perfurar, a fim de evitar que a madeira estale
 - Para uma perfeita utilização da ferramenta é necessário efectuar uma pressão contínua sobre o parafuso, especialmente quando do desaparafusamento
 - Quando aparafusar em madeira dura é preciso perfurar orifício
 - Nível de vibração
O nível de emissão de vibrações indicado na parte posterior deste manual de instruções foi medido de acordo com um teste normalizado fornecido na EN 60745; pode ser utilizado para comparar uma ferramenta com outra e como uma avaliação preliminar de exposição à vibração quando utilizar a ferramenta para as aplicações mencionadas
 - utilizar a ferramenta para diferentes aplicações ou com acessórios diferentes ou mantidos deficientemente, pode **umentar** significativamente o nível de exposição
 - o número de vezes que a ferramenta é desligada ou quando estiver a trabalhar sem fazer nada, pode **reduzir** significativamente o nível de exposição
- ! proteja-se contra os efeitos da vibração, mantendo a ferramenta e os acessórios, mantendo as mãos quentes e organizando os padrões de trabalho**

MANUTENÇÃO / SERVIÇO

- Mantenha a ferramenta e carregador limpos
 - limpe os contactos do carregador com álcool ou produto de limpeza de contactos
- ! desligue o carregador da fonte de corrente antes de limpar**
- Se a ferramenta/o carregador falhar apesar de cuidadosos processos de fabricação e de teste, a reparação deverá ser executada por uma oficina de serviço autorizada para ferramentas eléctricas SKIL
 - envie a ferramenta ou o carregador, **sem desmontar**, juntamente com a prova de compra, para o seu revendedor ou para o centro de assistência SKIL mais próximo (os endereços assim como a mapa de peças da ferramenta estão mencionados no www.skileurope.com)

AMBIENTE

- **Não deite ferramentas eléctricas, acessórios e embalagem no lixo doméstico** (apenas para países da UE)
 - de acordo com a directiva europeia 2002/96/CE sobre ferramentas eléctricas e electrónicas usadas e a transposição para as leis nacionais, as ferramentas eléctricas usadas devem ser recolhidas em separado e encaminhadas a uma instalação de reciclagem dos materiais ecológica
 - símbolo ⑦ lhe avisará em caso de necessidade de arranjar-las

I

Trapano avvitatore 2502/2602/2702 a batteria

INTRODUZIONE

- L'utensile è idoneo per l'esecuzione di forature nel legname, nel metallo, nella ceramica e nelle materie plastiche; utensili con regolazione elettronica della velocità e funzionalmente reversibile sono adatte anche per avvitare e per tagliare filettature
- Leggete e conservate questo manuale di istruzione ③

CARATTERISTICHE TECNICHE ①

ELEMENTI UTENSILE ②

- A** Interruttore di accensione/spengimento e regolazione della velocità
- B** Luce (caricatore)
- C** Anello di controllo della coppia
- D** Posizione di blocco (innesto)
- E** Commutatore di marcia
- F** Commutatore per l'inversione del senso di rotazione
- G** Mandrino autoserrante
- H** Feritoie di ventilazione
- J** Ricaricatore

SICUREZZA

ISTRUZIONI GENERALI DI SICUREZZA

⚠ ATTENZIONE! Leggere tutte le avvertenze di pericolo e le istruzioni operative. In caso di mancato rispetto delle avvertenze di pericolo e delle istruzioni operative si potrà creare il pericolo di scosse elettriche, incendi e/o incidenti gravi. **Conservare tutte le avvertenze di pericolo e le istruzioni operative per ogni esigenza futura.** Il termine "elettroutensile" utilizzato nelle avvertenze di pericolo si riferisce ad utensili elettrici alimentati dalla rete (con linea di allacciamento) ed ad utensili elettrici alimentati a batteria (senza linea di allacciamento).

1) SICUREZZA DELLA POSTAZIONE DI LAVORO

- Mantenere pulito ed ordinato il posto di lavoro.**
Il disordine o le zone di lavoro non illuminate possono essere fonte di incidenti.
- Evitare d'impiegare l'utensile in ambienti soggetti al rischio di esplosioni nei quali si trovino liquidi, gas o polveri infiammabili.** Gli utensili elettrici producono scintille che possono far infiammare la polvere o i gas.
- Mantenere lontani i bambini ed altre persone durante l'impiego dell'utensile elettrico.**
Eventuali distrazioni potranno comportare la perdita del controllo sull'utensile.

2) SICUREZZA ELETTRICA

- a) **La spina per la presa di corrente dovrà essere adatta alla presa. Evitare assolutamente di apportare modifiche alla spina. Non impiegare spine adattatrici assieme ad utensili con collegamento a terra.** Le spine non modificate e le prese adatte allo scopo riducono il rischio di scosse elettriche.
- b) **Evitare il contatto fisico con superfici collegate a terra, come tubi, riscaldamenti, cucine elettriche e frigoriferi.** Sussiste un maggior rischio di scosse elettriche nel momento in cui il corpo è messo a massa.
- c) **Custodire l'utensile al riparo dalla pioggia o dall'umidità.** L'eventuale infiltrazione di acqua in un utensile elettrico va ad aumentare il rischio d'insorgenza di scosse elettriche.
- d) **Non usare il cavo per scopi diversi da quelli previsti al fine di trasportare o appendere l'utensile, oppure di togliere la spina dalla presa di corrente. Mantenere l'utensile al riparo da fonti di calore, dall'olio, dagli spigoli o da pezzi in movimento.** I cavi danneggiati o aggrovigliati aumentano il rischio d'insorgenza di scosse elettriche.
- e) **Qualora si voglia usare l'utensile all'aperto, impiegare solo ed esclusivamente cavi di prolunga omologati per l'impiego all'esterno.** L'uso di un cavo di prolunga omologato per l'impiego all'esterno riduce il rischio d'insorgenza di scosse elettriche.
- f) **Qualora non fosse possibile evitare di utilizzare l'utensile in ambiente umido, utilizzare un interruttore di messa a terra.** L'uso di un interruttore di messa a terra riduce il rischio di una scossa elettrica.

3) SICUREZZA DELLE PERSONE

- a) **È importante concentrarsi su ciò che si sta facendo e a maneggiare con giudizio l'utensile durante le operazioni di lavoro. Non utilizzare l'utensile in caso di stanchezza o sotto l'effetto di droghe, bevande alcoliche e medicinali.** Un attimo di distrazione durante l'uso dell'utensile potrà causare lesioni gravi.
- b) **Indossare sempre equipaggiamento protettivo individuale, nonché guanti protettivi.** Se si avrà cura d'indossare equipaggiamento protettivo individuale come la maschera antipolvere, la calzatura antisdrucciolevole di sicurezza, il casco protettivo o la protezione dell'udito, a seconda dell'impiego previsto per l'utensile elettrico, si potrà ridurre il rischio di ferite.
- c) **Evitare l'accensione involontaria dell'utensile. Prima di collegarlo alla rete di alimentazione elettrica e/o alla batteria ricaricabile, prima di prenderlo oppure prima di iniziare a trasportarlo, assicurarsi che l'utensile sia spento.** Tenendo il dito sopra l'interruttore mentre si trasporta l'utensile oppure collegandolo all'alimentazione di corrente con l'interruttore inserito, si vengono a creare situazioni pericolose in cui possono verificarsi seri incidenti.
- d) **Togliere gli attrezzi di regolazione o la chiave inglese prima di accendere l'utensile.** Un utensile o una chiave inglese che si trovino in una parte dell'utensile in rotazione potranno causare lesioni.

e) **È importante non sopravvalutarsi. Avere cura di mettersi in posizione sicura e di mantenere l'equilibrio.** In tale maniera sarà possibile controllare meglio l'utensile in situazioni inaspettate.

- f) **Indossare vestiti adeguati. Evitare di indossare vestiti lenti o gioielli. Tenere i capelli, i vestiti ed i guanti lontani da pezzi in movimento.** Vestiti lenti, gioielli o capelli lunghi potranno impigliarsi in pezzi in movimento.
- g) **Se sussiste la possibilità di montare dispositivi di aspirazione o di captazione della polvere, assicurarsi che gli stessi siano stati installati correttamente e vengano utilizzati senza errori.** L'utilizzo di un'aspirazione polvere può ridurre lo svilupparsi di situazioni pericolose dovute alla polvere.

4) MANEGGIO ED IMPIEGO ACCURATO DI UTENSILI ELETTRICI

- a) **Non sovraccaricare l'utensile. Impiegare l'utensile elettrico adatto per sbrigare il lavoro.** Utilizzando l'utensile elettrico adatto si potrà lavorare meglio e con maggior sicurezza nell'ambito della gamma di potenza indicata.
- b) **Non utilizzare utensili elettrici con interruttori difettosi.** Un utensile elettrico che non si può più accendere o spegnere è pericoloso e dovrà essere riparato.
- c) **Prima di procedere ad operazioni di regolazione sull'utensile, prima di sostituire parti accessorie oppure prima di posare l'utensile al termine di un lavoro, estrarre sempre la spina dalla presa della corrente e/o estrarre la batteria ricaricabile.** Tale precauzione eviterà che l'utensile possa essere messo in funzione inavvertitamente.
- d) **Custodire gli utensili elettrici non utilizzati al di fuori della portata dei bambini. Non fare usare l'utensile a persone che non sono abituate ad usarlo o che non abbiano letto le presenti istruzioni.** Gli utensili elettrici sono pericolosi se utilizzati da persone inesperte.
- e) **Effettuare accuratamente la manutenzione dell'utensile. Verificare che le parti mobili dell'utensile funzionino perfettamente e non s'inceppino, che non ci siano pezzi rotti o danneggiati al punto tale da limitare la funzione dell'utensile stesso. Far riparare le parti danneggiate prima d'impiegare l'utensile.** Numerosi incidenti vengono causati da utensili elettrici la cui manutenzione è stata effettuata poco accuratamente.
- f) **Mantenere affilati e puliti gli utensili da taglio.** Gli utensili da taglio curati con particolare attenzione e con taglienti affilati s'inceppano meno frequentemente e sono più facili da condurre.
- g) **Utilizzare utensili elettrici, accessori, attrezzi, ecc. in conformità con le presenti istruzioni. Osservare le condizioni di lavoro ed il lavoro da eseguirsi durante l'impiego.** L'impiego di utensili elettrici per usi diversi da quelli consentiti potrà dar luogo a situazioni di pericolo.

5) MANEGGIO ED IMPIEGO ACCURATO DI ACCUMULATORI

- a) **Caricare l'accumulatore solo ed esclusivamente nei dispositivi di carica consigliati dal produttore.**
Per un dispositivo di carica previsto per un determinato tipo di accumulatore, sussiste pericolo di incendio, se utilizzato con un accumulatore di tipo diverso.
- b) **Utilizzare negli utensili elettrici solo ed esclusivamente gli accumulatori previsti allo scopo.**
L'uso di accumulatori di tipo diverso potrà dare insofferenza a lesioni e comportare il rischio d'incendi.
- c) **Tenere l'accumulatore non utilizzato lontano da graffette, monete, chiavi, chiodi, viti o da altri oggetti in metallo di piccole dimensioni che potrebbero causare un ponte tra i contatti.** Un eventuale corto circuito tra i contatti dell'accumulatore potrà dare origine a bruciature o ad incendi.
- d) **In caso di impiego sbagliato, potranno insorgere fuoriuscite di liquido dall'accumulatore. Evitarne il contatto. In caso di contatto casuale, sciacquare con acqua. Qualora il liquido dovesse entrare in contatto con gli occhi, chiedere immediato consiglio al medico.** Il liquido fuoriuscito dall'accumulatore potrà causare irritazioni cutanee o bruciature.

6) ASSISTENZA

- a) **Fare riparare l'utensile solo ed esclusivamente da personale specializzato e solo impiegando pezzi di ricambio originali.** In tale maniera potrà essere salvaguardata la sicurezza dell'utensile.

ISTRUZIONI DI SICUREZZA PER TRAPANI AVVITATORI A BATTERIA

- Evitate possibili danneggiamenti da viti e chiodi sporgenti; rimuoverli prima di iniziare la lavorazione
- Controllare che la tensione dell'alimentazione sia la stessa di quella indicata sulla targhetta del caricatore (gli caricatori con l'indicazione di 230V o 240V possono essere collegati anche alla rete di 220V)
- Nel caso di cattivo funzionamento elettrico o meccanico, spegnete subito l'utensile o staccare il caricatore dalla rete
- La SKIL garantisce un perfetto funzionamento dell'utensile soltanto se vengono utilizzati accessori corretti che si possono ottenere presso il vostro negoziante
- Utilizzate solo accessori il cui numero massimo di giri corrisponda almeno al massimo dei numeri di giri dell'utensile
- Questo utensile non dev'essere utilizzato da persone di età inferiore ai 16 anni
- **Fissare il pezzo da lavorare** (un pezzo in lavorazione rimane bloccato in posizione con maggiore sicurezza se fissato con appositi dispositivi di serraggio o con una morsa e non tenendolo con la mano)

- **Quando si eseguono lavori in cui vi è pericolo che l'accessorio impiegato possa arrivare a toccare cavi elettrici nascosti oppure anche il cavo elettrico dell'elettrotensile stesso, operare con l'elettrotensile afferrandolo sempre alle superfici di impugnatura isolate** (un contatto con un cavo elettrico mette sotto tensione anche parti in metallo dell'elettrotensile provocando quindi una scossa elettrica)
- **Al fine di rilevare possibili linee di alimentazione nascoste, utilizzare adeguate apparecchiature di ricerca oppure rivolgersi alla locale società erogatrice** (un contatto con linee elettriche può provocare lo sviluppo di incendi e di scosse elettriche; danneggiando linee del gas si può creare il pericolo di esplosioni; penetrando una tubazione dell'acqua si provocano seri danni materiali oppure vi è il pericolo di provocare una scossa elettrica)
- **Non lavorare mai materiali contenenti amianto** (l'amianto è ritenuto materiale cancerogeno)
- Le polveri di materiali come vernici contenenti piombo, alcune specie di legno, minerali e metallo possono essere nocive (il contatto con queste polveri o la loro inalazione possono causare reazioni allergiche e/o disturbi respiratori all'operatore o ad altre persone presenti sul posto); **indossare una maschera protettiva per la polvere e utilizzare un dispositivo per l'estrazione della polvere se è presente una presa di collegamento**
- Alcuni tipi di polvere sono classificati come cancerogeni (quali le polveri di quercia e faggio) specialmente se associate ad additivi per il trattamento del legno; **indossare una maschera protettiva per la polvere e utilizzare un dispositivo per l'estrazione della polvere se è presente una presa di collegamento**
- Rispettare le istruzioni nazionali riguardanti l'estrazione della polvere per i materiali in lavorazione
- Assicurarsi che l'interruttore F ② sia in posizione centrale (blocco) prima di regolare l'utensile o sostituire accessori, come pure durante il trasporto o quando si ripone l'utensile

CARICA/BATTERIE

- Caricate la batteria solo con il suo originale caricatore
- Non bisogna toccare i contatti dentro al caricatore
- Non esporre utensile/caricatore/batteria alla pioggia
- Riponete utensile/caricatore/batteria in luoghi ove non si superino i 40°C o si scenda sotto i 0°C
- Le batterie esplodono se gettate nel fuoco, pertanto non bruciare le batterie per alcun motivo
- Non utilizzate il caricatore quando è danneggiato; portarlo ad un centro assistenza autorizzato SKIL per il controllo
- Non utilizzate il caricatore quando il cavo o la spina sono danneggiati; cavo o spina possono essere immediatamente sostituiti presso un centro assistenza autorizzato SKIL
- Non usate la batteria quando è danneggiata; essa dovrebbe essere sostituita immediatamente

- Non aprire il caricatore o la batteria
- Non tentare di ricaricare le batterie non-ricaricabili con il caricatore
- Spiegazione dei simboli presenti sul caricatore/sulla batteria
 - ③ Leggere il manuale di istruzioni prima dell'uso
 - ④ Utilizzare il caricatore solo in ambienti chiusi
 - ⑤ Doppio isolamento (non è necessario alcun cavo di terra)
 - ⑥ L'errata polarità della connessione del caricatore può costituire un pericolo (caricare la batteria utilizzando esclusivamente il caricatore in dotazione)
 - ⑦ Non gettare il caricatore tra i rifiuti domestici
 - ⑧ Non gettare la batteria tra i rifiuti domestici
 - ⑨ La tecnologia NiMH garantisce maggiore energia in modo meno inquinante per l'ambiente

USO

- Carica della batteria ⑩
 - la batteria di un utensile nuovo non è completamente carica
 - collegare il caricatore alla rete elettrica
 - la luce B si accenderà
 - inserire la batteria nel caricatore
 - la luce B lampeggiante indica che la batteria sta ricaricandosi (⑩a)
 - dopo circa 2-3 ore la batteria è carica e la luce B si accende in modo fisso, indicando che il caricatore è passato alla carica di mantenimento (⑩b)
- ! **estraete la batteria dal caricatore dopo la fine del periodo di carica; con ciò si prolunga la durata della batteria**

IMPORTANTE:

- se la luce B non lampeggia dopo che si è inserita la batteria (⑩b), ciò può significare:
 - 1) che la temperatura della batteria è troppo bassa o troppo alta (la carica è possibile solo se la temperatura è compresa tra 0°C e 45°C); è quindi in atto soltanto la carica di mantenimento fino a che la temperatura non rientra tra 0°C e 45°C; in tale momento il caricatore riprenderà automaticamente la funzione di carica normali
 - 2) che la batteria deve essere sostituita
- durante la carica il caricatore e la batteria possono riscaldarsi; il fenomeno è normale e non comporta problemi
- assicurarsi che la superficie esterna della batteria sia pulita e asciutta prima di inserirla nel caricatore
- non ricaricare a temperature sotto i 0°C e sopra i 40°C; altrimenti si danneggeranno seriamente la batteria ed il caricatore
- non estraete mai la batteria dall'utensile mentre questo è in moto
- ! **una batteria nuova o una batteria che non sia stata utilizzata per un lungo periodo di tempo arriva a portare la sua piena prestazione solo dopo circa 5 cicli di ricarica/scarica**

- non ricaricate la batteria dopo averlo fatto funzionare per pochi minuti soltanto; ricaricando troppo spesso la batteria si ottiene solo una riduzione del tempo operativo ed una diminuzione del suo rendimento
 - la batteria al idruro metallico di Nickel può essere mantenuta separata dall'ambiente naturale e non dovrebbe essere scaricata tra i rifiuti domestici (il simbolo ⑧ vi ricorderà questo fatto quando dovrete eliminarla)
 - ! **primo di disporle, proteggere i terminali delle batterie con nastro pesante per prevenire cortocircuiti**
 - se si prevede di non utilizzare l'utensile per un lungo periodo, è opportuno staccare il caricatore dalla rete
 - Interruttore combinato A ② di acceso/spento e controllo della velocità

Il controllo della velocità da zero giri al massimo è dato dalla pressione più o meno forte sull'interruttore
 - Inversione del senso di rotazione ⑪
 - quando la posizione sinistra/destra non è inserita propriamente l'interruttore A ② non può essere attivato
 - ! **invertire il senso di rotazione solo quando l'utensile si è arrestato completamente**
 - Cambio delle punte ⑫
 - introdurre la punta il più profondamente possibile nel mandrino
 - ! **non utilizzare punte con il gambo danneggiato**
 - ! **usare solo punte affilate**
 - Controllo della coppia (VariTorque) ⑬
 - regola la coppia al mandrino (26 posizioni di frizione)
 - da 1 a 25 C viene aumentata la coppia di torsione; la posizione D viene utilizzata per lavori pesanti di foratura e avvitatura
 - quando avvitate una vite, prima provare la posizione 1 del VariTorque e incrementarne il valore fino a raggiungere la profondità desiderata
 - Commutazione meccanica di marcia ⑬
 - spostare il commutatore E nella velocità desiderata
 - ! **azionare il commutatore di marcia mentre l'utensile funziona lentamente**
- ELEVATA POTENZA**
- grande coppia
 - per avvitare e forare grandi diametri
 - per filettare di vite
- ELEVATA VELOCITÀ**
- bassa coppia
 - per forare piccoli diametri
- Indicatore del livello batteria ⑭

Mostra la carica rimasta
- Tenuta e guida dell'utensile
 - tenere scoperte le feritoie di ventilazione H ②
 - non applicate una pressione eccessiva all'utensile; lasciate che sia l'utensile a lavorare per voi

CONSIGLIO PRATICO

- Quando le parti da forare sono ferrose
 - preparare un piccolo foro, quando è richiesto un grande foro
 - lubrificare la punta di tanto in tanto con olio

- Quando avvitate una vite in vicinanza dei bordi dell'asse, è preferibile fare un foro precedentemente per evitare le spaccature di legno
- Per un uso ottimale dell'utensile si raccomanda di esercitare una pressione costante sulla vite, soprattutto svitando
- Quando avvitate una vite su legno duro, è preferibile forare un foro precedentemente
- Livello delle vibrazioni

Il livello di emissione delle vibrazioni indicato sul retro di questo manuale di istruzioni è stato misurato in conformità a un test standardizzato stabilito dalla norma EN 60745; questo valore può essere utilizzato per mettere a confronto un l'utensile con un altro o come valutazione preliminare di esposizione alla vibrazione quando si impiega l'utensile per le applicazioni menzionate

- se si utilizza l'utensile per applicazioni diverse, oppure con accessori differenti o in scarse condizioni, il livello di esposizione potrebbe **umentare** notevolmente
- i momenti in cui l'utensile è spento oppure è in funzione ma non viene effettivamente utilizzato per il lavoro, possono contribuire a **ridurre** il livello di esposizione

! proteggersi dagli effetti della vibrazione effettuando la manutenzione dell'utensile e dei relativi accessori, mantenendo le mani calde e organizzando i metodi di lavoro

MANUTENZIONE / ASSISTENZA

- Tenere pulito l'utensile e il caricatore
 - pulire i contatti di ricarica del caricatore con alcool
- ! prima di pulire staccare il caricatore dalla rete**
- Se nonostante gli accurati procedimenti di produzione e di controllo l'utensile/il caricatore dovesse guastarsi, la riparazione va fatta effettuare da un punto di assistenza autorizzato per gli elettrodomestici SKIL
 - inviare l'utensile o il caricatore **non smontato** assieme alle prove di acquisto al rivenditore oppure al più vicino posto di assistenza SKIL (l'indirizzo ed il disegno delle parti di ricambio dell'utensile sono riportati su www.skileurope.com)

TUTELA DELL'AMBIENTE

- **Non gettare l'utensile elettrico, gli accessori e l'imballaggio tra i rifiuti domestici** (solo per paesi UE)
 - secondo la Direttiva Europea 2002/96/CE sui rifiuti di utensili elettrici ed elettronici e la sua attuazione in conformità alle norme nazionali, gli utensili elettrici esausti devono essere raccolti separatamente, al fine di essere reimpiegati in modo eco-compatibile
 - il simbolo ⑦ vi ricorderà questo fatto quando dovrete eliminarlo

Akkumulátoros fúró/ 2502/2602/2702 csavarozó

BEVEZETÉS

- A készülék fában, fémekben, kerámiákban és műanyagokban végzett fúrásra szolgál; az elektronikus sebességszabályozóval és forgásirányítókapszóval felszerelt készülékek csavarok be- és kihajtására, valamint menetvágásra is alkalmazhatók
- Olvassa el figyelmesen és őrizze meg a használati utasítást ③

TECHNIKAI ADATOK ①

SZERSZÁMGÉP ELEMEI ②

- A Be/Ki kapcsoló és sebességszabályozó
- B Piros (töltő)
- C Forgatónyomaték szabályozó kapcsoló
- D Zár helyzet (kuplung)
- E Fokozatválasztó kapcsoló
- F A forgásirány változtatására szolgáló kapcsoló
- G Gyorstokmány
- H Szellőzőnyílás
- J Töltő

BIZTONSÁG

ÁLTALÁNOS BIZTONSÁGI UTASÍTÁSOK

⚠ FIGYELEM! Olvassa el az összes biztonsági figyelmeztetést és előírást. A következőkben leírt előírások betartásának elmulasztása áramütésekhez, tűzhez és/vagy súlyos testi sérülésekhez vezethet. **Kérjük a későbbi használatra gondosan őrizze meg ezeket az előírásokat.** Az alább alkalmazott elektromos kéziszerszám fogalom a hálózati elektromos kéziszerszámokat (hálózati csatlakozó kábellel) és az akkumulátoros elektromos kéziszerszámokat (hálózati csatlakozó kábel nélkül) foglalja magában.

1) MUNKAHELYI BIZTONSÁG

- Tartsa tisztán és tartsa rendben a munkahelyét.** Rendetlen munkahelyek vagy megvilágítatlan munkaterületek balesetekhez vezethetnek.
- Ne dolgozzon az elektromos kéziszerszámmal olyan robbanásveszélyes környezetben, ahol éghető folyadékok, gázok vagy porok vannak.** Az elektromos kéziszerszámok szikrákat bocsáthatnak ki, amelyek meggyújthatják a port vagy a gőzöket.
- Tartsa távol a gyerekeket és az idegen személyeket a munkahelytől, ha az elektromos kéziszerszámot használja.** Ha elvonják a figyelmét a munkától, könnyen elvesztheti az uralmát a berendezés felett.

2) ELEKTROMOS BIZTONSÁGI ELŐÍRÁSOK

- a) **A készülék csatlakozó dugójának bele kell illeszkednie a dugaszolóaljzatba. A csatlakozó dugót semmilyen módon sem szabad megváltoztatni. Védőföldeléssel ellátott készülékekkel kapcsolatban ne használjon csatlakozó adaptert.** A változtatás nélküli csatlakozó dugók és a megfelelő dugaszoló aljzatok csökkentik az áramütés kockázatát.
- b) **Ne érjen hozzá földelt felületekhez, mint csövekhez, fűtőtestekhez, kályhákhoz és hűtőszekrényekhez.** Az áramütési veszély megnövekszik, ha a teste le van földelve.
- c) **Tartsa távol az elektromos kéziszerszámot az esőtől és a nedvesség hatásaitól.** Ha víz hatol be egy elektromos kéziszerszámba, ez megnöveli az áramütés veszélyét.
- d) **Ne használja a kábelt a rendeltetésétől eltérő célokra, vagyis a szerszámot soha ne hordozza vagy akassza fel a kábelnél fogva, és soha ne húzza ki a hálózati csatlakozó dugót a kábelnél fogva.** Tartsa távol a kábelt hőforrásoktól, olajtól, éles élektől, sarkaktól és mozgó gépalkatrészekről. Egy megrongálódott vagy csomókkal teli kábel megnöveli az áramütés veszélyét.
- e) **Ha egy elektromos kéziszerszámmal a szabad ég alatt dolgozik, csak a szabadban való használatra engedélyezett hosszabbítót használjon.** A szabadban való használatra engedélyezett hosszabbító használata csökkenti az áramütés veszélyét.
- f) **Ha nem lehet elkerülni az elektromos kéziszerszám nedves környezetben való használatát, alkalmazzon egy földzárlat megszakítót.** Egy földzárlat megszakító alkalmazása csökkenti az áramütés kockázatát.

3) SZEMÉLYI BIZTONSÁGI ELŐÍRÁSOK

- a) **Munka közben mindig figyeljen, ügyeljen arra, amit csinál, és megdölgötten dolgozzon az elektromos kéziszerszámmal. Ha fáradt, ha kábítószerek vagy alkohol hatása alatt áll, vagy orvosságokat vett be, ne használja a berendezést.** A berendezéssel végzett munka közben már egy pillanatnyi figyelmetlenség is komoly sérülésekhez vezethet.
- b) **Viseljen személyi védőfelszerelést és mindig viseljen védőszemüveget.** A személyi védőfelszerelések, mint porvédő álarc, csúszásbiztos védőcipő, védősapka és fülvédő használata az elektromos kéziszerszám használata jellegének megfelelően csökkenti a személyes sérülések kockázatát.
- c) **Kerülje el a készülék akaratlan üzembe helyezését. Győződjön meg arról, hogy az elektromos kéziszerszám ki van kapcsolva, mielőtt bedugná a csatlakozó dugót a dugaszolóaljzatba, csatlakoztatná az akkumulátor-csomagot, és mielőtt felvenné és vinni kezdené az elektromos kéziszerszámot.** Ha az elektromos kéziszerszám felemelése közben az újját a kapcsolón tartja, vagy ha a készüléket bekapcsolt állapotban csatlakoztatja az áramforráshoz, ez balesetekhez vezethet.

- d) **Az elektromos kéziszerszám bekapcsolása előtt okvetlenül távolítsa el a beállító szerszámokat vagy csavarkulcsokat.** Az elektromos kéziszerszám forgó részeiben felejtett beállító szerszám vagy csavarkulcs sérüléseket okozhat.
- e) **Ne becslje túl önmagát. Kerülje el a normálistól eltérő testtartást, ügyeljen arra, hogy mindig biztosan álljon és az egyensúlyát megtartsa.** Így az elektromos kéziszerszám felett váratlan helyzetekben is jobban tud uralkodni.
- f) **Viseljen megfelelő ruhát. Ne viseljen bő ruhát vagy ékszereket. Tartsa távol a haját, a ruháját és a kesztyűjét a mozgó részekről.** A bő ruhát, az ékszereket és a hosszú haját a mozgó alkatrészek magukkal ránthatják.
- g) **Ha az elektromos kéziszerszámba fel lehet szerelni a por elszívásához és összegyűjtéséhez szükséges berendezéseket, ellenőrizze, hogy azok megfelelő módon hozzá vannak kapcsolva a készülékhez és rendeltetésüknek megfelelően működnek.**

A porgyűjtő berendezések használata csökkenti a munka során keletkező por veszélyes hatását.

4) AZ ELEKTROMOS KÉZISZERSZÁMOK GONDOS KEZELÉSE ÉS HASZNÁLATA

- a) **Ne terhelje túl az elektromos kéziszerszámot.** A munkájához csak az arra szolgáló elektromos kéziszerszámot használja. Egy alkalmas elektromos kéziszerszámmal a megadott teljesítménytartományon belül jobban és biztonságosabban lehet dolgozni.
- b) **Ne használjon olyan elektromos kéziszerszámot, amelynek a kapcsolója elromlott.** Egy olyan elektromos kéziszerszám, amelyet nem lehet sem be-, sem kikapcsolni, veszélyes és meg kell javíttatni.
- c) **Húzza ki a csatlakozó dugót a dugaszolóaljzatból és/vagy az akkumulátor-csomagot az elektromos kéziszerszámból, mielőtt az elektromos kéziszerszámon beállítási munkákat végez, tartozékokat cserél vagy a szerszámot tárolásra elteszi.** Ez az elővigyázatossági intézkedés meggátolja a szerszám akaratlan üzembe helyezését.
- d) **A használaton kívüli elektromos kéziszerszámokat olyan helyen tárolja, ahol azokhoz gyerekek ne férhessnek hozzá. Ne hagyja, hogy olyan személyek használják az elektromos kéziszerszámot, akik nem ismerik a szerszámot, vagy nem olvasták el ezt az útmutatót.** Az elektromos kéziszerszámok veszélyesek, ha azokat gyakorlatlan személyek használják.
- e) **A készüléket gondosan ápolja. Ellenőrizze, hogy a mozgó alkatrészek kifogástalanul működnek-e, nincsenek-e beszorulva, és nincsenek-e eltörve vagy megrongálódva olyan alkatrészek, amelyek hatással lehetnek az elektromos kéziszerszám működésére.** A megrongálódott részeket a készülék használata előtt javíttassa meg. Sok olyan baleset történik, amelyet az elektromos kéziszerszám nem kielégítő karbantartására lehet visszavezetni.
- f) **Tartsa tisztán és éles állapotban a vágószerszámokat.** Az éles vágóélekkel rendelkező és gondosan ápolott vágószerszámok ritkábban ékelődnek be és azokat könnyebben lehet vezetni és irányítani.

- g) **Az elektromos kéziszerszámokat, tartozékokat, betétszerszámokat stb. csak ezen előírásoknak használja. Vegye figyelembe a munkafeltételeket és a kivitelezendő munka sajátosságait.** Az elektromos kéziszerszám eredeti rendeltetésétől eltérő célokra való alkalmazása veszélyes helyzetekhez vezethet.

5) AZ AKKUMULÁTOROS KÉZISZERSZÁMOK GONDOS KEZELÉSE ÉS HASZNÁLATA

- a) **Az akkumulátort csak a gyártó által ajánlott töltőkészülékekben töltsse fel.** Ha egy bizonyos akkumulátortípus feltöltésére szolgáló töltőkészülékben egy másik akkumulátort próbál feltölteni, tűz keletkezhet.
- b) **Az elektromos kéziszerszámban csak az ahhoz tartozó akkumulátort használja.** Más akkumulátorok használata személyi sérüléseket és tüzet okozhat.
- c) **Tartsa távol a használaton kívüli akkumulátort irodai kapcsolótól, pénzürméktől, kulcsoktól, szögektől, csavaroktól és más kisméretű fémtárgyaktól, amelyek áthidalhatják az érintkezőket.**
Az akkumulátor érintkezői közötti rövidzárlat égési sérüléseket vagy tüzet okozhat.
- d) **Hibás alkalmazás esetén az akkumulátorból folyadék léphet ki. Kerülje el az érintkezést a folyadékkal. Ha véletlenül mégis érintkezésbe jutott az akkumulátorfolyadékkal, azonnal öblítse le vízzel az érintett felületet. Ha a folyadék a szemébe jutott, keressen fel ezen kívül egy orvost.**

A kilepő akkumulátorfolyadék irritációkat vagy égéses bőrsérüléseket okozhat.

6) SZERVIZ

- a) **Az elektromos kéziszerszámot csak szakképzett személyzet és csak eredeti pótalkatrészek felhasználásával javíthatja.** Ez biztosítja, hogy az elektromos kéziszerszám biztonságos szerszám maradjon.

BIZTONSÁGI ELŐÍRÁSOK AKKUMULÁTOROS FŰRŐ/CSAVARÓZÓKHOZ

- Ügyeljen arra, hogy a munkadarabban lévő csavar, szög vagy hasonló sérüléseket ne okozhasson; a munka megkezdése előtt eltávolítandó
- Mindig ellenőrizze, hogy a hálózati feszültség megegyezik-e a gép adattábláján feltüntetett értékkel (a 230V vagy 240V jelzésű töltőkészülék 220V feszültségre is csatlakoztathatók)
- Normálistól eltérő működés vagy szokatlan, idegen hangok esetén a gépet azonnal kapcsolja ki vagy a töltőkészülék csatlakozóját húzza ki a konnektorból
- A SKIL cég kizárólag eredeti alkatrészek és kiegészítők alkalmazása esetén tudja garantálni a gép problémamentes működését, melyek a SKIL-márkakereskedőknél kaphatók
- Csak olyan tartozékot használjon, amelyek legmagasabb megengedett fordulatszáma legalább akkora, mint a berendezés legmagasabb üresjárati fordulatszáma

- A készüléket csak 16 éven felüli személyek használják
- **Rögzítse a munkadarabot** (befogókészülékkel vagy satuval befogott munkadarabot sokkal biztonságosabban lehet rögzíteni mint a kézzel tartottat)
- **Az elektromos kéziszerszámot csak a szigetelt fogantyúfelületeknél fogja meg, ha olyan munkákat végez, amelyek során a betétszerszám kívülről nem látható, feszültség alatt álló vezetékeket, vagy a saját hálózati vezetékeit is átvághatja** (ha a berendezés egy feszültség alatt álló vezetékekhez ér, az elektromos kéziszerszám fémrészei szintén feszültség alá kerülnek és áramütéshez vezetnek)
- **A rejtett vezetékek felkutatásához használjon alkalmas fémkereső készüléket, vagy kérje ki a helyi energiaellátó vállalat tanácsát** (ha egy elektromos vezetékeket a berendezéssel megérint, ez tűzhöz és áramütéshez vezethet; egy gázvezeték megrongálása robbanást eredményezhet; egy vízvezetékbe való behatolás anyagi károkhoz és áramütéshez vezethet)
- **Ne munkáljon meg a berendezéssel azbesztt tartalmazó anyagokat** (az azbesztnak rákkeltő hatása van)
- Az anyagból származó por (mint például az ólomot, néhány fafajtát, ásványi anyagokat és fémeket tartalmazó festék) káros lehet (a por érintése vagy belégzése allergiás reakciókat és/vagy légzőszervi betegségeket okozhat a kezelő, illetve a közelben állók esetében); **viseljen pormaszkot és amennyiben csatlakoztatható, dolgozzon porszívó berendezéssel**
- Bizonyos porfajták rákkeltő besorolással rendelkeznek (ilyen például a tölgy- és a bükkfa pora), különösen a fa kondicionálására szolgáló adalékokkal együtt; **viseljen pormaszkot és amennyiben csatlakoztatható, dolgozzon porszívó berendezéssel**
- Kövesse a por kezelésével kapcsolatos helyi előírásokat azon termékkel kapcsolatban, amellyel dolgozni kíván
- Győződjön meg róla, hogy az F irányváltó-kapcsoló ② a középső (rögzített) állásban van, mielőtt beállításokat végez vagy tartozékokat cserél, illetve amikor a gépet szállítja vagy tárolja

TÖLTÉS/AKKUMULÁTOR

- Az akkumulátort csak a tartozék töltőkészülék töltsse
- A töltőkészülékben lévő érintkezőket nem szabad megérinteni
- A gépet/töltőkészüléket/akkumulátort óvja a nedvességtől, különösen esőtől
- A gépet/töltőkészüléket/akkumulátort ne tárolja 40°C feletti és 0°C alatti helyiségben
- Ha az akkumulátorok tűzbe kerülnek, akkor felrobbanhatnak, ezért semmilyen okból ne égesse el az akkumulátorokat
- Hibás töltőkészüléket nem szabad üzembe helyezni; ilyen esetben forduljon a SKIL hivatalos szakszervizéhez
- A töltőkészülék tovább nem használható, ha a kábel vagy a dugasz sérült, a kábelt vagy a hálózati csatlakozót azonnal hivatalos SKIL szakszervizben ki kell cserélni

- A hibás akkumulátor haladéktalanul cserélje ki
- A töltőkészüléket vagy az akkumulátor tilos szétszedni
- Soha ne próbáljon töltőkészülékkel nem tölthető akkumulátort újra tölteni
- A töltőn/akkumulátoron található szimbólumok magyarázata
 - ③ Használat előtt olvassa el a használati utasítást
 - ④ A töltőt csak beltéren használja
 - ⑤ Kettős szigetelés (földelővezeték nem szükséges)
 - ⑥ A töltőcsatlakozás hibás polaritása veszélyt okozhat (csak a szállított töltővel töltsé az akkumulátort)
 - ⑦ A töltőkészüléket ne dobja a háztartási szemétkébe
 - ⑧ Az akkumulátor ne dobja a háztartási szemétkébe
 - ⑨ NiMH technológia a legkevésbé környezetszennyező módon nyújt több energiát

KEZELÉS

- Akkumulátor feltöltése ⑩
 - az új akkumulátorok nincsenek feltöltve
 - a töltőkészüléket a hálózatra csatlakoztassuk
 - a B piros felvillan
 - az akkumulátort helyezzuk be a töltőkészülékbe
 - a B piros villog, jelezve, hogy a készülék töltés üzemmódban működik (⑩a)
 - kb. 2-3 óra töltési idő alatt az akkumulátort teljesen feltöltődik és a piros B villogó jel a továbbiakban folyamatosan világít, amire a töltőkészülék automatikusan átkapcsol "töltés megtartásra" (⑩b)
- ! **az akkumulátort a töltési idő befejezése után a töltőkészülékről le kell venni, ezáltal az akkumulátor élettartama meghosszabbodik**

FONTOS:

- amennyiben a B piros jel az akkumulátornak a töltőre való helyezése után nem villog (⑩b), ez a következőket jelentheti:
 - 1) túl hideg vagy túl meleg van (az akkumulátort töltése csak 0° és 45° között lehetséges); a töltőkészülék ilyenkor automatikusan átkapcsol "töltés megtartásra", a megfelelő, 0° és 45° közötti hőmérséklet eléréséig, ekkor a töltőkészülék automatikusan újra átkapcsol normáltöltésre
 - 2) az akkumulátort ki kell cserélni
- a töltőkészülék és az akkumulátort felmelegedhet a töltés során, ez teljesen normális és nem jelent problémát
- a töltőbe való behelyezés előtt győződjön meg arról, hogy az akkumulátor külső felülete tiszta és száraz
- 0°C alatti és 40°C feletti hőmérsékleten mellőzni kell a töltést; ezáltal ugyanis a töltőkészülék és az akkumulátor komoly mértékben károsodhat
- az akkumulátort a gép üzemeltetése közben nem szabad levenni
- ! **egy új, vagy hosszabb ideig használaton kívüli akkumulátort csak kb. 5 teljes feltöltési/kisütési ciklus után éri el a teljes teljesítményét**
- nem célszerű az akkumulátort minden rövid használat után mindig újra feltölteni mert ez csökkentheti az élettartalmát

- a nikkell-fémhidrid akkumulátort utasítás szerint kell eltávolítani és nem szabad a háztartási hulladékba dobni (erre emlékeztet a ⑧ jelzés)
- ! **az akkumulátor hatástalanítása előtt az akkumulátor végelt erős szalaggal biztosítsuk, hogy a kúszóáramokat kiküszöbölhessük**
- amennyiben a gépet hosszabb időn keresztül nem használjuk, akkor a töltőkészülék hálózati csatlakozóját a dugaszolóaljzatból húzzuk ki
- Kombinált kapcsoló A ② a ki/be kapcsolásra valamint a sebességszabályozásra
- Kapcsolóra gyakorolt nyomás megváltoztatásával a sebesség fokozatmentesen nulláról max. fordulatszámig szabályozható
- Forgásirány változtatás ⑪
 - amennyiben az A ② be/ki kapcsoló nem kattant tökéletesen a helyére ne kapcsolja be gépét
 - ! **a forgásirány kizárólag a gép teljes leállása után változtatható**
- A szerszámhegyek cseréje ⑫
 - helyezze a szerszámhegyet a tokmányba, s tolja olyan mélyre, amennyire csak lehet
 - ! **soha ne használjon sérült befogóvégű szerszámhegyet**
 - ! **ne használjon kopott vagy életlen szerszámhegyet**
- Forgatónyomaték beállítás (VariTorque) ⑬
 - a fűrotkmánynál a forgatónyomatékot korlátozza (26 kuplungpozíció)
 - a forgatónyomatékot olyan módon növelhetjük, ha a C kuplunggyűrűt 1-ről 25-re forgatjuk cl. D állásban a kuplungot reteszeli nehéz fűró- és csavarozómunkák elvégzéséhez
 - amikor egy csavart akarunk becsavarni, először a VariTorque 1-es helyzetű beállítását próbáljuk ki majd növeljük ezt, amíg a kívánt mélységet el nem érjük
- Mechanikus fokozatválasztás ⑭
 - az E kapcsolót állítsuk a kívánt fordulatszám
 - ! **a fokozatváltó kapcsolótát átkapcsolni, ha a gép fordulata lecsökken**

NAGY TELJESÍTMÉNY

- magas forgatónyomaték
- csavarok be és kihajtásához, nagy átmérőjű furatokhoz
- menetfűráshoz

NAGY FORDULATSZÁM

- alacsony forgatónyomaték
- kisebb átmérőjű furatokhoz
- Akkumulátor töltöttségi-szint jelző ⑭
- Használat után fennmaradó kapacitást mutatja
- A gép vezetése és tartása
 - a szellőzőnyílásokat H ② mindig tartsa szabadon
 - ne gyakoroljon túl nagy nyomást a gépre; hagyja, hogy a gép dolgozzon ön helyett


HASZNÁLAT

- Fémekben történő fúráskor
 - készítsünk kisméretű előfuratot
 - kenje időnként olajjal a fúróhegyet
 - Csavarok faanyag végébe vagy szálirányába történő behajtása előtt készítsen előfuratot
 - Az eszköz optimális használatához a csavarra állandó nyomást kell gyakorolni, különösen ha kicsavarjuk
 - Ha keményfába csavarozunk, szükséges előfuratot készíteni
 - Rezgésszint
Az ezen felhasználói kézikönyv végén megadott rezgés-kibocsátási szint mérése az EN 60745 szabványban meghatározott szabványosított teszttel összhangban történt; ez egy eszköznek egy másik eszközzel történő összehasonlítására, illetve a rezgésnek való kitettség előzetes felmérésére használható fel az eszköznek az említett alkalmazásokra történő felhasználása során
 - az eszköznek eltérő alkalmazásokra, vagy eltérő, illetve rosszul karbantartott tartozékokkal történő felhasználása jelentősen **emelheti** a kitettség szintjét
 - az idő, amikor az eszköz ki van kapcsolva, vagy amikor ugyan működik, de ténylegesen nem végez munkát, jelentősen **csökkentheti** a kitettség szintjét
- ! az eszköz és tartozékai karbantartásával, kezének melegen tartásával, és munkavégzésének megszervezésével védje meg magát a rezgések hatásaitól**

KARBANTARTÁS / SZERVIZ

- A gépét és a töltőkészüléket mindig tartsa tisztán
 - a töltőkészülék töltőérintkezőket időnként tisztítsa meg alkohollal vagy kontaktsprayel
- ! mielőtt a töltőt megtisztítaná a konnektorból húzza ki a csatlakozót**
- Ha a gép/töltőkészülék a gondos gyártási és ellenőrzési eljárás ellenére egyszer mégis meghibásodna, akkor a javítással csak SKIL elektromos kéziszerszám-műhely ügyfélszolgálatát szabad megbízni
 - küldje az **összeszerelt** gépet vagy töltőkészüléket a vásárlást bizonyító számlával együtt a kereskedő vagy a legközelebbi SKIL szervizállomás címére (a címlista és a gép szervizdiagramja a www.skileurope.com címen található)

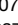
KÖRNYEZET

- **Az elektromos kéziszerszámokat, tartozékokat és csomagolást ne dobja a háztartási szemétkébe** (csak EU-országok számára)
 - a használt villamos és elektronikai készülékekről szóló 2002/96/EK irányelv és annak a nemzeti jogba való átültetése szerint az elhasznált elektromos kéziszerszámokat külön kell gyűjteni, és környezetbarát módon újra kell hasznosítani
 - erre emlékeztet a  jelzés, amennyiben felmerül az intézkedésre való igény

CZ

Akumulátoros vrtací 2502/2602/2702 Šroubovák

ÚVOD

- Nářadí je určeno k vrtání do dřeva, kovu, keramiky a umělé hmoty; nářadíe s elektronickou regulací rychlosti a chodem vpravo/vlevo jsou také vhodné k šroubování a řezání závitů
- Tento návod s pokyny si pečlivě přečtěte a uschovejte 


TECHNICKÉ ÚDAJE

SOUČÁSTI NÁSTROJE

- A** Vypínač zapnout/vypnout a regulace rychlosti
- B** Kontrolka (nabíječka)
- C** Regulátor pro nastavení kroutícího momentu
- D** Zajištěná pozice (spojka)
- E** Spínač na volbu mechanické rychlosti
- F** Spínač na změnu směru otáček
- G** Rychloupínač sklíčidlo
- H** Větrací šterbiny
- J** Nabíječka

BEZPEČNOST

VŠEOBECNÉ BEZPEČNOSTNÍ PŘEDPISY

 **POZOR!** Čtete všechna varovná upozornění a pokyny. Zanedbání při dodržování varovných upozornění a pokynů mohou mít za následek úder elektrickým proudem, požár a/nebo těžká poranění. **Všechna varovná upozornění a pokyny do budoucna uschovejte.** Ve varovných upozorněních použitý pojem "elektronářadí" se vztahuje na elektronářadí provozované na el. síti (se síťovým kabelem) a na elektronářadí provozované na akumulátoru (bez síťového kabelu).

1) BEZPEČNOST PRACOVNÍHO MÍSTA

- Udržujte Vaše pracovní místo čisté a uklizené.** Nepořádek nebo neosvětlené pracovní oblasti mohou vést k úrazům.
- Se strojem nepracujte v prostředích ohrožených explozí, kde se nacházejí hořlavé kapaliny, plyny nebo prach.** Elektronářadí vytváří jiskry, které mohou prach nebo páry zapálit.
- Děti a jiní osoby udržujte při použití elektronářadí daleko od Vašeho pracovního místa.** Při rozptýlení můžete ztratit kontrolu nad strojem.

2) ELEKTRICKÁ BEZPEČNOST

- a) **Připojovací zástrčka stroje musí lícovat se zásuvkou. Zástrčka nesmí být žádným způsobem upravena. Společně se stroji s ochranným uzemněním nepoužívejte žádné adaptérové zástrčky.** Neupravené zástrčky a vhodné zásuvky snižují riziko elektrického úderu.
- b) **Zabraňte kontaktu těla s uzemněnými povrchy, jako např. potrubí, topení, sporáky a chladničky.** Je-li Vaše tělo uzemněno, existuje zvýšené riziko elektrického úderu.
- c) **Chraňte stroj před deštěm a vlhkem.** Vniknutí vody do elektrického stroje zvyšuje nebezpečí elektrického úderu.
- d) **Dbejte na účel kabelu, nepoužívejte jej k nošení či zavěšení stroje nebo vytažení zástrčky ze zásuvky. Udržujte kabel daleko od tepla, oleje, ostrých hran nebo pohyblivých dílů stroje.** Poškozené nebo spletené kabely zvyšují riziko elektrického úderu.
- e) **Pokud pracujete s elektronářadím venku, použijte pouze takové prodlužovací kabely, které jsou schváleny i pro venkovní použití.** Použití prodlužovacího kabelu, jež je vhodný pro použití venku, snižuje riziko elektrického úderu.
- f) **Pokud se nelze vyhnout provozu elektronářadí ve vlhkém prostředí, použijte ochranný jistič.** Nasazení ochranného jističe snižuje riziko úderu elektrickým proudem.

3) BEZPEČNOST OSOB

- a) **Bud'te pozorní, dávejte pozor na to, co děláte a přistupujte k práci s elektronářadím rozumně. Stroj nepoužívejte pokud jste unaveni nebo pod vlivem drog, alkoholu nebo léků.** Moment nepozornosti při použití elektronářadí může vést k vážným poraněním.
- b) **Noste osobní ochranné pomůcky a vždy ochranné brýle.** Nošení osobních ochranných pomůcek jako maska proti prachu, bezpečnostní obuv s protiskluzovou podrážkou, ochranná přilba nebo sluchátka, podle druhu nasazení elektronářadí, snižují riziko poranění.
- c) **Zabraňte neúmyslnému uvedení do provozu. Přesvědčte se, že je elektronářadí vypnuté dříve než jej uchopíte, poneseťe či připojíte na zdroj proudu a/ nebo akumulátor.** Máte-li při nošení elektronářadí prst na spínači nebo pokud stroj připojíte ke zdroji proudu zapnutý, pak to může vést k úrazům.
- d) **Než stroj zapnete, odstraňte seřizovací nástroje nebo šroubovák.** Nástroj nebo klíč, který se nachází v otáčivém dílu stroje, může vést k poranění.
- e) **Nepřeceňujte se. Zajistěte si bezpečný postoj a vždy udržujte rovnováhu.** Tím můžete stroj v neočekávaných situacích lépe kontrolovat.
- f) **Noste vhodný oděv. Nenoste žádný volný oděv nebo šperky. Vlasy, oděv a rukavice udržujte daleko od pohybujících se dílů.** Volný oděv, šperky nebo dlouhé vlasy mohou být zachyceny pohybujícími se díly.
- g) **Je-li namontovat odsávací či zachycující přípravy, přesvědčte se, že jsou připojeny a správně použity.** Použití odsávacího prachu může snížit ohrožení prachem.

4) SVĚDOMITÉ ZACHÁZENÍ A POUŽÍVÁNÍ ELEKTRONÁŘADÍ

- a) **Stroj nepřetěžujte. Pro svou práci použijte k tomu určený stroj.** S vhodným elektronářadím budete pracovat v udané oblasti výkonu lépe a bezpečněji.
 - b) **Nepoužívejte žádné elektronářadí, jehož spínač je vadný.** Elektronářadí, které nelze zapnout či vypnout je nebezpečné a musí se opravit.
 - c) **Než provedete seřízení stroje, výměnu dílů příslušenství nebo stroj odložte, vytáhněte zástrčku ze zásuvky a/nebo odstraňte akumulátor.** Toto preventivní opatření zabrání neúmyslnému zapnutí stroje.
 - d) **Uchovávejte nepoužívané elektronářadí mimo dosah dětí. Nenechte stroj používat osobám, které se strojem nejsou seznámeny nebo nečetly tyto pokyny.** Elektronářadí je nebezpečné, je-li používáno nezkušenými osobami.
 - e) **Pečujte o stroj svědomitě. Zkontrolujte, zda pohyblivé díly stroje bezvadně fungují a nevzpřichují se, zda díly nejsou zlomené nebo poškozené tak, že je omezena funkce stroje. Poškozené díly nechte před nasazením stroje opravit.** Mnoho úrazů má příčinu ve špatně udržovaném elektronářadí.
 - f) **Řezné nástroje udržujte ostré a čisté.** Pečlivě ošetřované řezné nástroje s ostrými řeznými hranami se méně vzpřichují a dají se lehčeji vést.
 - g) **Používejte elektronářadí, příslušenství, nasazovací nástroje apod. podle těchto pokynů. Respektujte přitom pracovní podmínky a prováděnou činnost.** Použití elektronářadí pro jiné než určující použití může vést k nebezpečným situacím.
- ## 5) SVĚDOMITÉ ZACHÁZENÍ A POUŽÍVÁNÍ AKUMULÁTOROVÉHO NÁŘADÍ
- a) **Akumulátor nabíjejte pouze v nabíječce, která je doporučena výrobcem.** Pro nabíječku, která je vhodná pro určitý druh akumulátorů, existuje nebezpečí požáru, je-li používána s jinými akumulátory.
 - b) **Do elektronářadí používejte pouze k tomu určené akumulátory.** Použití jiných akumulátorů může vést k poraněním a požárům.
 - c) **Nepoužívaný akumulátor uchovávejte mimo kancelářské sponky, mince, klíče, hřebíky, šrouby nebo jiné drobné kovové předměty, které mohou způsobit přemostění kontaktů.** Zkrat mezi kontakty akumulátoru může mít za následek opálení nebo požár.
 - d) **Při špatném použití může z akumulátoru vytéci kapalina. Zabraňte kontaktu s ní. Při náhodném kontaktu opláchněte místo vodou. Pokud kapalina vnikne do očí, navštivte navíc i lékaře.** Vytékající akumulátorová kapalina může způsobit podráždění pokožky nebo popálení.
- ## 6) SERVIS
- a) **Nechte Váš stroj opravit pouze kvalifikovaným odborným personálem a pouze s originálními náhradními díly.** Tím bude zajištěno, že bezpečnost stroje zůstane zachována.

BEZPEČNOSTNÍ PŘEDPISY PRO AKUMULÁTOROVÝ VRTACÍ ŠROUBOVÁK

- Vrtačku nepoužívejte je-li navlhá a nepracujte v blízkosti snadno zápalných nebo výbušných materiálů; před zahájením práce je odstraňte
- Vždy zkontrolujte, zda je napájecí napětí stejné jako napětí uvedené na typovém štítku nabíječe (nabíječky určené k napájení 230V nebo 240V lze použít též v síti 220V)
- V případě atypického chování nebo cizích hluků ihned vypněte nářadí nebo vytáhněte nabíječ ze zásuvky
- SKIL zajistí bezchybnou funkci nářadí pouze tehdy, používáte-li odpovídající příslušenství, které obdržíte u svého prodejce SKIL
- Používejte pouze příslušenství, jejichž dovolené otáčky jsou alespoň tak vysoké jako nejvyšší otáčky stroje naprázdno
- Tento nástroj nesmí používat osoby mladší 16 let
- **Zajistěte obráběný díl** (obráběný díl uchycený pomocí upínacích zařízení nebo ve svěráku je mnohem bezpečnější než v ruce)
- **Pokud provádíte práce, při kterých by nástroj mohl zasáhnout skrytá el. vedení nebo vlastní kabel, držte elektronářadí pouze na izolovaných uchopovacích plochách** (kontakt s vedením pod napětím přivádí napětí i na kovové díly stroje a vede k úderu elektrickým proudem)
- **Použijte vhodné hledací přístroje k vyhledání skrytých přívodních vedení nebo přivězte místní dodavatelskou společnost** (kontakt s el. vedením může vést k požáru a elektrickému úderu; poškození plynového vedení může vést k explozi; proniknutí do vodovodního potrubí může způsobit věcné škody nebo elektrický úder)
- **Nepracovávajte žádný materiál obsahující azbest** (azbest je karcinogenní)
- Prach z látek, jako jsou barvy obsahující olovo, některé druhy dřeva, minerály a kovy, může být škodlivý (kontakt s prachem nebo jeho vdechnutí může způsobit alergickou reakci a/nebo vyvolat respirační choroby u obsluhy nebo přihlížejících); **nošte protiprachovou masku a pracujte se zařízením na odsávání prachu, pokud je možné jej připojit**
- Některé druhy prachu jsou klasifikovány jako karcinogenní (například dubový a bukový prach) zejména ve spojení s přísadami pro úpravu dřeva; **nošte protiprachovou masku a pracujte se zařízením na odsávání prachu, pokud je možné jej připojit**
- Dodržujte stanovená nařízení pro práci v prašném prostředí
- Zabezpečte, aby vypínač F ② byl vždy v pozici uprostřed (zablokované) než provedete seřízení stroje nebo výměnu příslušenství, při přenášení nebo odložení stroje

NABÍJENÍ/AKUMULÁTORŮ

- Nabíjejte akumulátor pouze dodanou nabíječkou
- Nedotýkejte se kontaktů
- Nevystavujte nářadí/nabíječ/akumulátor dešti

- Nářadí/nabíječ/akumulátor ukládejte na vhodné, suché a zajištěné místo, v prostorách s teplotou minimálně 0°C a maximálně 40°C
- Baterie při vhození do ohně explodují, proto je nikdy nevhazujte do otevřeného plamene
- Nepoužívejte k nabíjení poškozenou nabíječku; nabíječku nechte opravit nebo nahradte novou z naší oficiální odborné dílny SKIL
- Nabíječ nepoužívejte, když kabel nebo zástrčka jsou poškozeny; ihned je nahradte novými z naší oficiální odborné dílny SKIL
- Poškozený akumulátor nepoužívejte, nahradte jej novým
- Nabíječ nebo akumulátor nikdy nerozebírejte
- Baterie, které nejsou určeny k opětnému nabíjení, v přístroji nedobíjet
- Vysvětlení symbolů na nabíječce/baterii
 - ③ Před použitím si přečtěte návod k použití
 - ④ Určeno pouze k použití ve vnitřních prostorách
 - ⑤ Dvojitá izolace (není nutný zemnicí drát)
 - ⑥ Nesprávná polarita zapojení nabíječky by mohla způsobit nebezpečí (baterii nabíjete pouze pomocí příložené nabíječky)
 - ⑦ Nabíječ nevyhazujte do komunálního odpadu
 - ⑧ Akumulátor nevyhazujte do komunálního odpadu
 - ⑨ Technologie NiMH poskytuje více energie způsobem, který je šetrnější k životnímu prostředí

OBSLUHA

- Nabíjení akumulátorů ⑩
 - nové akumulátory nejsou nabitý
 - připojte nabíječ k sitovému napětí
 - kontrolka B se rozsvítí
 - akumulátor zasunout do nabíječe
 - kontrolka B bliká, tím je ukázáno nabíjení (⑩a)
 - přibližně po uplynutí 2-3 hodinách je akumulátor plně nabit a kontrolka B, která při nabíjení blikala, bude svítit stále a nabíječ automaticky přepne na dobíjení (⑩b)
- ! **vyjmutím akumulátoru z nabíječe po nabití se prodlouží životnost akumulátoru**
- UPOZORNĚNÍ:
 - v případě že po vložení akumulátor kontrolka B neblíka (⑩b), mhlo by znamenat:
 - 1) budje příliš studený nebo teplý (nabíjení akumulátor je možné při teplotě mezi 0 a 45 stupni), nabíječ bude automaticky přepnut na dobíjení, a až je dosažena teplota mezi 0 a 45 stupni, potom se nabíječ přepne na normální nabíjení
 - 2) akumulátor musí být nahrazena
 - nabíječ a akumulátor jsou při nabíjení horké
 - než vložíte akumulátor do nabíječky, přesvědčete se, zda je její povrch čistý a suchý
 - při teplotách pod 0°C nebo přes 40°C nelze nabíjet; mohlo by dojít k poškození nabíječe i akumulátoru
 - akumulátor se nesmí během chodu z nářadí vyjmát
- ! **nový nebo delší dobu nepoužívaný akumulátor dává plný výkon až po ca. 5 nabíjecích a vybíjecích cyklech**

- akumulátor by neměl být po každém krátkém, použití znovu dobíjen, protože to může snížit kapacitu akumulátorů

- niki-metalhydrid akumulátory se musí udržovat v pořádku a nesmí se dostat do domovního odpadu (symbol 8 na to upozorňuje)

! u vyznačených akumulátorů zakryjte kontakty izolační páskou, zabráníte tím plazivým proudům

- pokud nářadí dlouho nepoužíváte, můžete zástrčku nabíječe ze zásuvky vytáhnout

• Kombinovaný vypínač A ② "zapnuto/vypnuto" a kontrola rychlosti
Při větším či menším tlaku na spínač, lze měnit plynule otáčky

• Změna směru otáček ⑪
- jestliže poloha doleva/doprava správně nezapadne, není možno zapnout vypínač A ②

! směr otáček se smí změnit pouze je-li nástroj zcela zastaven

• Výměna hrotů ⑫

- zasuněte hrot co nehlouběji do sklíčidle

! nepoužívejte hroty s poškozeným dřívem

! používejte pouze ostré hroty

• Kontrola kroutícího momentu (VariTorque) ⑬

- omezuje velikost kroutícího momentu na sklíčidle (26 pozice spojka)

- kroutící moment se zvyšuje otáčením stupnice C od 1 do 25; v pozici D je volba, pro těžké vrtání a šroubování

- při vyšroubování začněte nejdříve s pozicí 1

VariTorque a zvyšujte po dosažení žádané hloubky

• Mechanická volba převodu ⑬

- přepínačem E nastavit požadovaní rychlosti

! přepínač volby převodu ovládejte během chodu nástroje docílte

VELKÁ SÍLA

- vysoký točivý moment

- k šroubování a vrtání velkého průměru

- k řezání vnitřního závitu

VYSOKÁ RYCHLOST

- nejvyšší točivý moment

- k vrtání menších průměrů

• Indikátor akumulátoru ⑭

Ukazuje stupeň nabití akumulátoru

• Držení a vedení nástroje

- udržujte větrací štěrby H ② nezakryté

- na nástroj příliš netlačte; nechte jej, aby pracoval za vás

NÁVOD K POUŽITÍ

• Při vrtání v kovu

- předvrtajte napřed malý otvor

- vrták při práci občas naolejujte

• Při zašroubování šroubu na konci nebo na začátku nějakého dřeva by měla být předvrtána díra, aby se zamezilo rozštěpení dřeva

• Pro optimální využití přístroje je nutno zvolit odpovídající tlak na šroub, zvláště při vyšroubování

• Při šroubování do tvrdého dřeva, je nutno díru předvrtat

• Úroveň vibrací

Úroveň vibrací uvedená na zadní straně tohoto manuálu s pokyny byla měřena v souladu se standardizovaným testem podle EN 60745; je možné ji použít ke srovnání jednoho přístroje s druhým a jako předběžné posouzení vystavování se vibracím při používání přístroje k uvedeným aplikacím

- používání přístroje k jiným aplikacím nebo s jiným či špatně udržovaným příslušenstvím může zásadně **zvýšit** úroveň vystavení se vibracím

- doba, kdy je přístroj vypnutý nebo kdy běží, ale ve skutečnosti není využíván, může zásadně **snížit** úroveň vystavení se vibracím

! chraňte se před následky vibrací tak, že budete dbát na údržbu přístroje a příslušenství, budete si udržovat teplé ruce a uspořádáte si své pracovní postupy

ÚDRŽBA / SERVIS

• Udržujte nářadí a nabíječ čisté

- čistěte kontakty v nabíječi pouze alkoholem nebo čističem kontaktů

! před čištěním vytáhněte vždy nabíječ ze zásuvky

• Pokud dojde i přes pečlivou výrobu a náročnou kontrolu k poruše nástroje/nabíječe, svěřte provedení opravy autorizovanému servisnímu středisku pro elektronářadí firmy SKIL

- zašlete nástroj nebo nabíječ **nerozebraný** spolu s potvrzením o nákupu své prodejné nebo nejbližšímu servisu značky SKIL (adresy a servisní schema nástroje najdete na www.skileurope.com)

ŽIVOTNÍ PROSTŘEDÍ

• **Elektrické nářadí, doplňky a balení nevyhazujte do komunálního odpadu** (jen pro státy EU)

- podle evropské směrnice 2002/96/EG o nakládání s použitými elektrickými a elektronickými zařízeními a odpovídajících ustanovení právních předpisů jednotlivých zemí se použítá elektrická nářadí, musí sbírat odděleně od ostatního odpadu a podrobit ekologicky šetrnému recyklování

- symbol 7 na to upozorňuje

TR

**Akülü delme/
vidalama makinesi**

2502/2602/2702

GİRİS

• Bu alet, tahta, metal, seramik ve plastik malzemedeki delme işleri için geliştirlmiştir; elektronik hız kontrolü ve sağ/sol döndüşlü aletler vidalama ve diş açma işlerine de uygundur

• Bu kullanma kılavuzunu okuyun ve saklayın ③

TEKNİK VERİLER ①

ALET BİLEŞENLERİ ②

- A Açma/kapama ve hız kontrol anahtarı
- B Işık (şarj cihaz)
- C Tork kontrol
- D Kilit konumu (kavrama)
- E Vites seçme şalteri
- F Dönüş yönü değiştirme anahtarı
- G Anahtarsız mandren
- H Havalandırma yuvaları
- J Şarj cihazı

GÜVENLİK

GENEL GÜVENLİK YÖNERGELERİ

⚠ DİKKAT! Bütün uyarıları ve talimat hükümlerini okuyun. Açıklanan uyarılara ve talimat hükümlerine uyulmadığı takdirde elektrik çarpmalarına, yangınlara ve/veya ağır yaralanmalara neden olunabilir. **Bütün uyarıları ve talimat hükümlerini ileride kullanmak üzere saklayın.** Uyarı ve talimat hükümlerinde kullanılan “elektrikli el aleti” kavramı, akım şebekesine bağlı (şebeke bağlantı kablosu ile) aletlerle akü ile çalışan aletleri (akım şebekesine bağlantısı olmayan aletler) kapsamaktadır.

1) ÇALIŞMA YERİ GÜVENLİĞİ

- a) **Çalıştığınız yeri temiz ve düzenli tutun.** İşyerindeki düzensizlik veya yetersiz aydınlatma kazalara neden olabilir.
- b) **Yanıcı sıvıların, gazların veya tozların bulunduğunu patlama tehlikesi olan yer ve mekânlarda aletinizle çalışmayın.** Elektrikli el aletleri, toz veya buharların tutuşmasına veya yanmasına neden olan kıvılcımlar çıkarırlar.
- c) **Elektrikli el aletinizle çalışırken çocukları ve başkalarını çalışma alanınızın uzağında tutun.** Yakınızdaki bulunan kişiler dikkatinizi dağıtabilir ve bu da alet üzerindeki kontrolünüzü kaybetmenize neden olabilir.

2) ELEKTRİKSEL GÜVENLİK

- a) **Aletinizin bağlantı fişi prize uymalıdır. Fişi hiçbir şekilde değiştirmeyin. Koriyucu topraklamalı aletlerle adaptörlü fiş kullanmayın.** Değiştirilmemiş, orijinal fiş ve uygun prizler elektrik çarpma tehlikesini azaltır.
- b) **Borular, kalorifer tesisatı, ısıtıcılar ve buzdolapları gibi topraklanmış yüzeylerle bedensel temasa gelmekten kaçının.** Eğer bedeniniz topraklanacak olursa yüksek bir elektrik çarpma tehlikesi ortaya çıkar.
- c) **Aletinizi yağmur ve nemden koruyun.** Elektrikli el aletinin içine suyun sızması elektrik çarpma tehlikesini yükseltir.

- d) **Kabloyu kendi amacı dışında kullanmayın; örneğin aleti kablodan tutarak taşımayın, aleti kablo ile asmayın veya kablodan çekerek fişi prizden çıkarmayın. Kabloyu aşırı ısıctan, yağlardan, keskin kenarlı cisimlerden veya aletin hareketli parçalarından uzak tutun.** Hasarlı veya dolaşmış kablo elektrik çarpma tehlikesini yükseltir.
 - e) **Elektrikli el aletinizle açık havada çalışırken mutlaka açık havada kullanılmaya müsadeleli uzatma kablosu kullanın.** Açık havada kullanılmaya uygun ve müsadeleli uzatma kablosunun kullanılması elektrik çarpma tehlikesini azaltır.
 - f) **Elektrikli el aletinin nemli ortamlarda çalıştırılması şartsa, mutlaka toprak kaçağı devre kesicisi kullanın.** Toprak kaçağı devre kesicisi kullanımı elektrik çarpma tehlikesini azaltır.
- #### 3) KİŞİLERİN GÜVENLİĞİ
- a) **Dikkatli olun, ne yaptığınızı dikkat edin ve elektrikli el aletinizle çalışırken makul hareket edin. Yorgunsanız, hap, ilaç veya alkol almışsanız aletinizi kullanmayın.** Aletinizi kullanırken bir anlık dikkatsizliğiniz ciddi yaralanmalara yol açabilir.
 - b) **Daima kişisel korunma donanımları ve bir koruyucu gözlük kullanın.** Elektrikli el aletinin türü ve kullanımına uygun olarak kullanacağınız toz maskesi, kaymayan sağlam iş ayakkabıları, koruyucu kask veya koruyucu kulaklık gibi kişisel korunma donanımlarını kullanmanız yaralanma tehlikesini büyük ölçüde azaltır.
 - c) **Aleti yanlışlıkla çalıştırmaktan kaçının. Akım ikmal şebekesine ve/veya aküye bağlamadan, elinize alıp taşımadan önce elektrikli el aletinin kapalı durumda olduğundan emin olun.** Elektrikli el aletini parmağınız şalter üzerinde dururken taşırırsanız ve alet açikken fişi prize sokarsanız kazalara neden olabilirsiniz.
 - d) **Aleti çalıştırmadan önce ayar aletlerini veya tornavidaları aletten uzaklaştırın.** Dönen alet parçasına temas halinde bulunan bir uç veya anahtar yaralanmalara neden olabilir.
 - e) **Kendinizi çok fazla güvenmeyin. Duruşunuzun güvenli olmasına dikkat edin ve daima dengeyi koruyun.** Bu sayede aletinizi beklenmedik durumlarda daha iyi kontrol edersiniz.
 - f) **Uygun iş giysileri giyin. Çalışırken çok bol giysiler giymeyin ve takı takmayın. Saçlarınızı, giysilerinizi ve eldivenlerinizi aletin hareketli parçalarından uzak tutun.** Bol giysiler, takılar veya uzun saçlar aletin hareketli parçaları tarafından tutulabilir.
 - g) **Aletinize toz emme donanımı ve toz tutma donanımı takılabiliyorsa, bunların bağlı olup olmadığını ve doğru işlev görüp görmediklerini kontrol edin.** Toz emme donanımının kullanımı tozdan kaynaklanabilecek tehlikeleri azaltır.
- #### 4) ELEKTRİKLİ EL ALETLERİYLE DİKKATLİ ÇALIŞMAK VE ALETİ DOĞRU KULLANMAK
- a) **Aletinizi aşırı ölçüde zorlamayın. İşinize uygun elektrikli el aletini kullanın.** Uygun elektrikli el aleti ile belirlenen performans alanında daha iyi ve daha güvenli çalışırsınız.

- b) **Açma/kapama şalteri arızalı olan elektrikli el aletini kullanmayın.** Açılıp kapanamayan bir elektrikli el aleti tehlikelidir ve onarılması gerekir.
- c) **Alette bir ayarlama işlemine başlamadan ve/veya aküyü çıkarmadan önce, herhangi bir aksesuarı değiştirirken veya aleti elinizden bırakırken fişi prizden çekin.** Bu önlem, aletin kontrolünüz dışında ve istenmeden çalışmasını önler.
- d) **Kullanım dışında iken elektrikli el aletinizi çocukların ulaşamayacağı bir yerde saklayın. Aleti kullanmayı bilmeyen veya bu güvenlik talimatını okumayan kişilerin aleti kullanmasına izin vermeyin.** Deneyimsiz kişiler tarafından kullanıldıkları takdirde elektrikli el aletleri tehlikeli olabilirler.
- e) **Aletinizin bakımını özenle yapın. Aletin hareketli parçalarının kusursuz işlev görüp görmediklerini ve sıkışmadıklarını, parçaların kırık veya hasarlı olup olmadıklarını kontrol edin, aksi takdirde alet işlevini tam olarak yerine getiremez. Aletinizi kullanmadan önce hasarlı parçaları onartın.** Birçok iş kazası aletlerin kötü ve yetersiz bakımından kaynaklanır.
- f) **Kesici uçları keskin ve temiz tutun.** İyi bakım görmüş kesici uçlar daha ender sıkışır ve daha iyi yönlendirilirler.
- g) **Elektrikli el aletlerini, aksesuarı, uçları ve benzerlerini bu güvenlik talimatına uygun olarak kullanın. Aletinizi kullanırken çalışma koşullarını ve yaptığınız işi daima dikkate alın.** Elektrikli el aletlerini kendileri için öngörülen işlerin dışında kullanmak tehlikeli durumların ortaya çıkmasına neden olabilir.
- 5) **AKÜLÜ ALETLERLE DİKKATLİ ÇALIŞMAK VE ALETLERİ DOĞRU KULLANMAK**
- a) **Aküleri sadece üretici tarafından tavsiye edilen şarj cihazlarında şarj edin.** Belirli bir tür akü için geliştirilmiş bir şarj cihazının değişik bir akü için kullanılması yangın tehlikesine yol açar.
- b) **Elektrikli el aletlerinde sadece o alet için öngörülen aküleri kullanın.** Başka akülerin kullanılması yaralanmalara ve yangın tehlikesinin ortaya çıkmasına neden olabilir.
- c) **Kullanım dışında bulunan aküleri, kontaklar arasında köprüleme yapma olasılığı bulunan büro ataçları, madeni paralar, anahtarlar, çiviler, vidalar veya diğer küçük metal eşya ve cisimlerden uzak tutun.** Akü kontakları arasındaki bir kısa devre yanmalara veya yangın çıkmasına neden olabilir.
- d) **Yanlış kullanım durumunda akünün dışına sıvılar sızabilir. Bu sıvılara temas etmeyin. Yanlışlıkla aküden sızan sıvılara temas ederseniz, temas yerini hemen su ile yıkayın. Eğer söz konusu sıvı gözünüze kaçacak olursa hemen bir hekime başvurun.** Aküden dışarı sızan sıvılar cildinizde tahrişlere veya yanmalara neden olabilir.
- 6) **SERVİS**
- a) **Aletinizi sadece uzman bir elemana ve orijinal yedek parçalar kullanılarak onartın.** Böylelikle aletin güvenliğini korumuş olursunuz.

AKÜLÜ DELME / VIDALAMA MAKİNESİ İÇİN GÜVENLİK TALİMATI

- İş parçasının vida, çivi ve benzeri malzeme tarafından hasar görmemesi için dikkatli olun; çalışmaya başlamadan önce bunları çıkartın
 - Güç geriliminin, şarj cihazın özellikli plakasında belirtilen voltaj değerleriyle aynı olduğunu sık sık kontrol edin (230V veya 240V şarj cihazını 220V kaynağa bağlanabilir)
 - Alet normal çalışmıyorsa veya değişik gürültüler geliyorsa, aleti hemen kapatın veya şarj cihazının fişini prizden çekin
 - SKIL sadece SKIL satıcınızdan temin edeceğimiz uygun aksesuarlar kullanıldığında aletin düzgün çalışmasını garanti eder
 - Bu aletle kullanacağınız aksesuar edilen devir sayısı en azından aletin boşta ki en yüksek devir sayısı kadar olmalıdır
 - Bu alet 16 yaşının altındaki kişiler tarafından kullanılmamalıdır
 - **Çalıştığınız parçayı sabitleyin** (kıskaçlarla ya da menceyle sabitlenmiş bir iş parçası elle tutulan işten daha güvenlidir)
 - **Alet ucunun görünmeyen elektrik kablolarına veya kendi bağlantı kablosuna temas etme olasılığı olan işleri yaparken aleti sadece izolasyonlu tutamaklarından tutun** (akım ileten elektrik kablolarıyla temas aletin metal parçalarının da elektrik akımına maruz kalmasına ve elektrik çarpmalarına neden olabilir)
 - **Görünmeyen elektrik kablolarını belirlemek için uygun bir tarama cihazı kullanın veya yerel akım ikmal şirketlerinden yardım isteyin** (elektrik kablolarıyla temas, yangın çıkmasına veya elektrik çarpmalarına neden olabilir; bir gaz borusu hasar görürse patlama tehlikesi ortaya çıkar; bir su borusunun delinmesi halinde maddi hasarlar meydana gelebilir veya elektrik çarpma tehlikesi ortaya çıkabilir)
 - **Bu aletle asbest içeren malzemeleri işlemeyin** (asbest kanserojen bir madde kabul edilir)
 - Kurşun içeren boya, bazı ahşap türleri, mineral ve metal gibi malzemelerden çıkan toz zararlı olabilir (tozla temasta bulunulması veya solunması operatörde veya yakında bulunan kişilerde alerjik reaksiyonlara ve/veya solunum yolu hastalıklarına neden olabilir); **toz maskesi takın ve toz ekstraksiyon cihazıyla çalışın (bağlanabiliyorsa)**
 - Bazı toz tipleri (örneğin meşe ve kayın ağacı tozu), bilhassa ahşap yenileme katkı maddeleriyle birlikte, kansinojenik olarak sınıflandırılır; **toz maskesi takın ve toz ekstraksiyon cihazı ile çalışın (bağlanabiliyorsa)**
 - Çalışmak istediğiniz malzemelerin, toz ile ilgili ulusal taleplerini takip edin
 - Herhangi bir aksesuar değişikliği yada ayarlama yapmadan veya cihaz hareket halindeken ve/veya boşta bekler vaziyette iken, F ② düğmesinin orta pozisyonunda (kilit pozisyonu) olduğuna emin olunuz
- ŞARJ/BATARYALAR**
- Bataryayı sadece aletle birlikte teslim edilen şarj cihazı ile şarj edin

- Şarj cihazı içindeki kontaklara dokunmayın
- Aleti, şarj cihazını ve bataryayı hiçbir zaman yağmur altında bırakmayın
- Aleti, şarj cihazını ve bataryayı daima 0° - 40° arasındaki oda sıcaklığında saklayın
- Piller ateşe maruz kaldığında patlar, bu yüzden herhangi bir nedenle pili yakmayın
- Hasarlı şarj cihazını çalıştırmayın, test yapmak üzere sözleşmeli bir SKIL servisinde getirin
- Kablo veya fiş hasarlı ise şarj cihazını kullanmayın, hasarlı kablo veya fişi sözleşmeli bir SKIL servisinde yeniletin
- Hasarlı batarya'ları kullanmayın, hemen yenileyin
- Şarj cihazını ve bataryayı hiçbir zaman sökmeyi denemeyin
- Şarj edilemeyen aküleri şarj cihazı ile şarj etmeyi denemeyin
- Şarj aleti/pil üzerindeki simgelerin açıklaması
 - ③ Kullanmadan önce kılavuzu okuyun
 - ④ Şarj aletini yalnızca kapalı yerlerde kullanın
 - ⑤ Çift yalıtım (topraklama kablosu gerekli değildir)
 - ⑥ Şarj aleti bağlantısının hatalı kutup bağlantısının olması bir tehlikeye neden olabilir (pili yalnızca birlikte gelen şarj aletiyle şarj edin)
 - ⑦ Şarj cihazını evdeki çöp kutusuna atmayınız
 - ⑧ Bataryayı evdeki çöp kutusuna atmayınız
 - ⑨ NİMH teknolojisi çevreyi daha az kirleterek daha fazla enerji sağlar

KULLANIM

- Bataryanın şarjı ⑩
 - yeni aletler şarjlı değildir
 - şarj cihazını şebeke gerilimine bağlayın
 - sinyal B ışığı yanar
 - bataryayı şarj cihazına yerleştirin
 - sinyal B ışığı yanar/söner, bu, hızlı şarj işlemini gösterir (⑩a)
 - yaklaşık 2-3 saat süren şarj işleminden sonra bataryayı tam olarak şarj olur ve yanar/söner sinyal B sabit hale gelir, bunun üzerine şarj cihazı otomatik olarak "dengeleme şarjına" geçer (⑩b)
- ! **şarj işlemleri bittikten sonra batarya şarj cihazından çıkarılmalıdır; bu yolla bataryanın kullanım ömrü uzar**
- ÖNEMLİ:
 - eğer sinyal B ışığı bataryayı yerine yerleştirildikten sonra yanıp sönmeye başlamazsa (⑩b), şu olasılıklar söz konusudur:
 - 1) hızlı şarj işlemi için sıcaklık çok yüksek veya çok düşük (hızlı şarj ancak bataryayı sıcaklığı 0° ile 45° arasında iken mümkündür), bu durumda şarj cihazı 0° ile 45° arasında bir sıcaklığa erişilinceye kadar, otomatik olarak "dengeleme şarjına" geçer; gerekli sıcaklığa erişilince şarj cihazı otomatik olarak hızlı şarj işlemine geçer
 - 2) bataryayı'nın kullanım ömrü tamamlanmıştır, yenilenmesi gerekir

- şarj işlemi sırasında bataryayı ve şarj cihazı ısınabilir, bu normaldir ve bir sorun değildir
- şarj cihazına takmadan önce, bataryanın dış yüzeyinin temiz ve kuru olduğundan emin olun
- 0°'nin altında ve 40°'nin üstündeki sıcaklıklarda şarj işleminden kaçının, çünkü bu durumda şarj cihazı ve batarya hasar görebilir
- alet çalışır durumda iken bataryayı çıkarmayın
- ! **yeni veya uzun süre kullanılmamış bir batarya ancak yaklaşık 5 kez şarj/deşarj olduktan sonra tam performansına ulaşır**
- aletle kısa çalıştıktan sonra ve her defasında bataryayı şarj etmeyin; bu durumda aşınma hızlanır
- nikel-metalhidrit batarya çevre koruma hükümlerine uygun olarak tasfiye edilmeli, ev çöplerine karışmamalıdır (sembol ⑧ size bunu anımsatmalıdır)
- ! **bataryayı tasfiye etmeden önce, kaçak akımları önlemek üzere batarya uçlarını ağır bir bantla sarın**
- aletinizi uzun süre kullanmayacaksanız, şarj cihazının şebeke fişini prizden çekin
- Açma/kapama ve hız kontrolü işlevini gören kominasyon şalteri A ②
 - Şaltere az veya çok basmak suretiyle hız sıfırdan maksimuma kadar kademeli olarak ayarlanabilir
- Dönüş yönünü değiştirme ⑪
 - sol/sağ pozisyonları doğru olarak kilitleme yapmadığı takdirde, açma/kapama şalteri A ② çalışmaz
- ! **dönüş yönünü sadece alet tamamen dururken değiştirin**
- Uçları değiştirme ⑫
 - uçları yuvaya mümkün olduğu kadar çok itin
- ! **hasarlı uçları kullanmayın**
- ! **sadece keskin uçlar kullanın**
- Tork kontrolü (VariTorque) ⑬
 - mandrendeki torku sınırlar (26 kuplaj pozisyonunda)
 - kuplaj halkası C, 1'den 25'e doğru çevrildikçe tork yükselir; D pozisyonunda kuplaj bloke olur ve ağır delme ve vidalama işleri yapılabilir
 - bir vidayı takarken önce VariTorque'unün 1. pozisyonu ile başlayın, daha sonra istediğiniz derinliğe ulaşınca kadar yavaş yavaş torku yükseltin
- Mekanik vites seçimi ⑬
 - E şalterini istediğiniz devir pozisyonuna getirin
- ! **vitesi değiştirme işlemini alet yavaş çalışırken yapın**
- YÜKSEK GÜÇ
 - yüksek tork
 - büyük çaplı vidalama ve delmeler için
 - dış açma için
- YÜKSEK DEVİR
 - düşük tork
 - küçük çaplı delmeler için
- Akü sarj süre göstergesi ⑭
 - Akünün kullanma süresini gösterir
- Aletin tutulması ve kullanılması
 - havalandırma yuvalarını H ② açık tutun
 - alete çok fazla baskı uygulamayın, bırakın alet sizin için çalışsın

UYGULAMA

- Metalde delik açarken
 - önce küçük bir kılavuz delik açın
 - matkap uçlarını belirli aralıklarla yağlayın
 - Bir tahtanın baş kısmına veya sonuna bir vida vidalanırken, tahtanın yarılması için bir ön kılavuz delik açın
 - Aletin optimal kullanımını için vidanın üzerine sürekli baskı uygulanmalıdır
 - Sert tahtaya vidalama yapmadan önce, bir ön kılavuz delik açılmalıdır
 - Titreşim seviyesi
Kullanım kılavuzunun arkasında belirtilen titreşim emisyon seviyesi EN 60745'te sunulan standart teste göre ölçülmüştür; bu seviye, bir aleti bir başkasıyla karşılaştırmak amacıyla ve aletin söz konusu uygulamalarda kullanılması sırasında titreşime maruz kalma derecesinin ön değerlendirmesi olarak kullanılabilir
 - aletin farklı uygulamalar için veya farklı ya da bakımı yetersiz yapılmış aksesuarlarla kullanılması, maruz kalma seviyesini belirgin biçimde **artırabilir**
 - aletin kapalı olduğu veya çalıştığı ancak gerçek anlamda iş yapmadığı zamanlarda, maruz kalma seviyesi belirgin biçimde **azalabilir**
- ! aletin ve aksesuarlarının bakımını yaparak, ellerinizi sıcak tutarak ve iş modellerinizi düzenleyerek kendinizi titreşimin etkilerinden koruyun**

BAKIM / SERVIS

- Aletinizi ve şarj cihazınızı daima temiz tutun
 - kontak yerlerini alkol veya kontak temizleme maddesi ile temizleyin
- **! şarj cihazını temizlemeden önce, cihazın fişini prizden çekin**
- Dikkatli biçimde yürütülen üretim ve test yöntemlerine rağmen aleti/şarj cihazı anıza yapacak olursa, onarım SKIL elektrikli aletleri için yetkili bir servise yapılmalıdır
 - aleti veya şarj cihazını ambalajıyla birlikte satın alma belgenizde ekleyerek satıcınıza veya en yakın SKIL servisine ulaştırın (adresler ve aletin servis şemaları www.skileurope.com adresinde listelenmiştir)

ÇEVRE

- **Elektrikli aletlerini, aksesuarları ve ambalajları evdeki çöp kutusuna atmayınız** (sadece AB ülkeleri için)
 - kullanılmış elektrikli aletleri, elektrik ve elektronikli eski cihazlar hakkındaki 2002/96/EC Avrupa yönergelerine göre ve bu yönergeler ulusal hukuk kurallarına göre uyarlanarak, ayrı olarak toplanmalı ve çevre şartlarına uygun bir şekilde tekrar değerlendirilmeye gönderilmelidir
 - sembol ⑦ size bunu anımsatmalıdır

PL

Akumulatorowa 2502/2602/2702 wiertarko-wkrętarka

WSTĘP

- Narzędzie to przeznaczone jest do wiercenia w drewnie, metalu, ceramice i tworzywach sztucznych; elektronicznie regulacje prędkości wiertarki z prawym i lewym biegiem doskonale sprawdzają się również jako wkrętarki oraz gwinciaraki
- Przeczytać i zachować niniejszą instrukcję obsługi ③

PARAMETRY TECHNICZNE ①

ELEMENTY NARZĘDZIA ②

- A Przycisk włącznik/wyłącznik i regulator prędkości
- B Lampka (ładowarka)
- C Pierścień nastawy sprzęgła
- D Pozycja zabezpieczona (sprzęgło)
- E Przełącznik biegów
- F Przełącznik zmiany kierunku rotacji
- G Szybkozaciskowy uchwyt wiertarski
- H Szczeliny wentylacyjne
- J Ładowarka

BEZPIECZEŃSTWO

OGÓLNE PRZEPISY BEZPIECZEŃSTWA

⚠ UWAGA! Należy przeczytać wszystkie wskazówki i przepisy. Błędy w przestrzeganiu poniższych wskazówek mogą spowodować porażenie prądem, pożar i/lub ciężkie obrażenia ciała. **Należy starannie przechowywać wszystkie przepisy i wskazówki bezpieczeństwa dla dalszego zastosowania.** Użyte w poniższym tekście pojęcie "elektronarzędzie" odnosi się do elektronarzędzi zasilanych energią elektryczną z sieci (z przewodem zasilającym) i do elektronarzędzi zasilanych akumulatorami (bez przewodu zasilającego).

1) BEZPIECZEŃSTWO MIEJSCA PRACY

- a) **Miejsce pracy należy utrzymywać w czystości i dobrze oświetlone.** Nieporządek lub nie oświetlone miejsce pracy mogą doprowadzić do wypadków.
- b) **Nie należy pracować tym narzędziem w otoczeniu zagrożonym wybuchem, w którym znajdują się np. łatwopalne ciecz, gazy lub pyły.** Elektronarzędzia wytwarzają iskry, które mogą podpalić ten pył lub pary.
- c) **Elektronarzędzie trzymać podczas pracy z daleka od dzieci i innych osób.** Przy nieuwadze można stracić kontrolę nad narzędziem.

2) BEZPIECZEŃSTWO ELEKTRYCZNE

- a) **Wtyczka urządzenia musi pasować do gniazda. Nie wolno modyfikować wtyczki w jakikolwiek sposób. Nie należy używać wtyczek adapterowych razem z uziemionymi narzędziami.** Niezmienione wtyczki i pasujące gniazda zmniejszają ryzyko porażenia prądem.
 - b) **Należy unikać kontaktu z uziemionymi powierzchniami jak rury, grzejniki, piece i łódki.** Istnieje zwiększone ryzyko porażenia prądem, gdy Państwa ciało jest uziemione.
 - c) **Urządzenie należy przechowywać zabezpieczone przed deszczem i wilgocią.** Wniknięcie wody do elektronarzędzia podwyższa ryzyko porażenia prądem.
 - d) **Nigdy nie należy używać kabla do innych czynności. Nigdy nie używać kabla do noszenia urządzenia za kabel, zawieszenia lub do wyciągania wtyczki z gniazda. Kabel należy trzymać z daleka od wysokich temperatur, oleju, ostrych krawędzi lub ruchomych części urządzenia.** Uszkodzone lub poplątane kable zwiększają ryzyko porażenia prądem.
 - e) **W przypadku, kiedy elektronarzędziem pracuje się na świeżym powietrzu należy używać kabla przedłużającego, który dopuszczony jest do używania na zewnątrz.** Użycie dopuszczonego do używania na zewnątrz kabla przedłużającego zmniejsza ryzyko porażenia prądem.
 - f) **Jeżeli nie da się uniknąć zastosowania elektronarzędzia w wilgotnym otoczeniu, należy użyć wyłącznika ochronnego różnicowo-prądowego.** Zastosowanie wyłącznika ochronnego różnicowo-prądowego zmniejsza ryzyko porażenia prądem.
- ### 3) BEZPIECZEŃSTWO OSÓB
- a) **Należy być uważnym, uważać na to co się robi i pracę elektronarzędziem rozpoczynać z rozsądkiem. Nie należy używać urządzenia gdy jest się zmęczonym lub pod wpływem narkotyków, alkoholu lub lekarstw.** Moment nieuwagi przy użyciu urządzenia może doprowadzić do poważnych urażeń ciała.
 - b) **Należy nosić osobiste wyposażenie ochronne i zawsze okulary ochronne.** Noszenie osobistego wyposażenia ochronnego jak maska przeciwpyłowa, nie ślizgające się buty robocze, hełm ochronny lub ochrona słuchu, w zależności od rodzaju i zastosowania elektronarzędzia zmniejsza ryzyko obrażeń ciała.
 - c) **Należy unikać niezamierzonego uruchomienia narzędzia. Przed włożeniem wtyczki do gniazdka i/ lub podłączeniem do akumulatora, a także przed podniesieniem lub przeniesieniem elektronarzędzia, należy upewnić się, że elektronarzędzie jest wyłączone.** Trzymanie palca na wyłączniku podczas przenoszenia elektronarzędzia lub podłączenie do prądu włączonego narzędzia, może stać się przyczyną wypadków.
 - d) **Zanim urządzenie zostanie włączone należy usunąć narzędzia nastawcze lub klucze.** Narzędzie lub klucz, które znajdują się w ruchomych częściach urządzenia mogą doprowadzić do obrażeń ciała.

- e) **Nie należy przeceniać swoich możliwości. Należy dbać o bezpieczną pozycję pracy i zawsze utrzymywać równowagę.** Przez to możliwa jest lepsza kontrola urządzenia w nieprzewidzianych sytuacjach.
 - f) **Należy nosić odpowiednie ubranie. Nie należy nosić luźnego ubrania lub biżuterii. Włosy, ubranie i rękawice należy trzymać z daleka od ruchomych elementów.** Luźne ubranie, biżuteria lub długie włosy mogą zostać pociągnięte przez poruszające się części.
 - g) **W przypadku, kiedy możliwe jest zamontowanie urządzeń odsysających lub podchwytyjących należy upewnić się, czy są one właściwie podłączone i prawidłowo użyte.** Użycie urządzenia odsysającego pył może zmniejszyć zagrożenie pyłami.
- ### 4) UWAGA OBCOWANIE ORAZ UŻYCIE ELEKTRONARZĘDZIA
- a) **Nie należy przeciążać urządzenia. Do pracy używać należy elektronarzędzia, które jest do tego przewidziane.** Odpowiednim narzędziem pracuje się lepiej i bezpieczniej w podanym zakresie sprawności.
 - b) **Nie należy używać elektronarzędzia, którego wyłącznik/wyłącznik jest uszkodzony.** Elektronarzędzie, którego nie można włączyć lub wyłączyć jest niebezpieczne i musi zostać naprawione.
 - c) **Przed regulacją urządzenia, wymianą osprzętu lub po zaprzestaniu pracy narzędziem, należy wyciągnąć wtyczkę z gniazda i/lub usunąć akumulator.** Ten środek ostrożności zapobiega niezamierzonemu włączeniu się urządzenia.
 - d) **Nie używane elektronarzędzia należy przechowywać poza zasięgiem dzieci. Nie należy udostępniać narzędzia osobom, które jego nie umieją lub nie przeczytały tych przepisów.** Używane przez niedoświadczonych osoby elektronarzędzia są niebezpieczne.
 - e) **Urządzenie należy starannie konserwować. Należy kontrolować, czy ruchome części urządzenia funkcjonują bez zarzutu i nie są zablokowane, czy części nie są pęknięte lub uszkodzone, czy mogłoby mieć wpływ na prawidłowe funkcjonowanie urządzenia. Uszkodzone narzędzie należy przed użyciem urządzenia oddać do naprawy.** Wiele wypadków spowodowanych jest przez niewłaściwą konserwację elektronarzędzi.
 - f) **Osprzęt tnący należy utrzymywać ostry i czysty.** Starannie pielęgnowany osprzęt tnący z ostrymi krawędziami tnącymi blokuje się rzadziej i łatwiej się używa.
 - g) **Elektronarzędzia, osprzęt, narzędzia itd. należy używać odpowiednio do tych przepisów. Uwzględnić należy przy tym warunki pracy i czynność do wykonania.** Użycie elektronarzędzi do innych niż przewidziane prace może doprowadzić do niebezpiecznych sytuacji.

5) UWAGA W OBCOWANIE I UŻYWANIE NARZĘDZI ZASILANYCH AKUMULATORAMI

- a) **Akumulatory należy ładować tylko w ładowarkach, które polecił producent.** W ładowarce, która nadaje się do ładowania określonych akumulatorów istnieje niebezpieczeństwo pożaru, gdy użyte zostaną inne akumulatory.
 - b) **Do elektronarzędzi należy używać jedynie przewidzianych do tego akumulatorów.** Użycie innych akumulatorów może doprowadzić do obrażeń ciała i niebezpieczeństwa pożaru.
 - c) **Nie używany akumulator należy trzymać z daleka od spinaczy, monet, kluczy, gwoździ, śrub lub innych małych przedmiotów metalowych, które mogłyby spowodować zwarcie kontaktów.** Zwarcie pomiędzy kontaktami akumulatora może spowodować oparzenia lub pożar.
 - d) **Przy niewłaściwym użyciu możliwe jest wydostanie się cieczy z akumulatora. Należy unikać kontaktu z nią. Przy przypadkowym kontakcie spłukać wodą. W przypadku, że ciecz dostała się do oczu należy dodatkowo skonsultować się z lekarzem.** Ciecz akumulatorowa może doprowadzić do podrażnienia skóry lub oparzeń.
- ## 6) SERWIS
- a) **Naprawę urządzenia należy zlecić jedynie kwalifikowanemu fachowcowi i przy użyciu oryginalnych części zamiennych.** To gwarantuje, że bezpieczeństwo użytkownika zostanie zachowane.

PRZEPISY BEZPIECZEŃSTWA DO AKUMULATOROWEJ WIERTARKO-WKRĘTARKI

- Uwaga na gwoździe, śruby i inne twarde przedmioty; przed przystąpieniem do obróbki powinny być usunięte z obrabianego przedmiotu; usunąć je przed rozpoczęciem pracy
- Każdorazowo sprawdzać, czy napięcie zasilania jest zgodne z napięciem podanym na tabliczce znamionowej ładowarka (ładowarka na napięcie znamionowe 230V lub 240V zasilac można także napięciem 220V)
- W przypadku wadliwego działania mechanicznych lub elektrycznych elementów urządzenia, należy bezzwocznie odłączyć narzędzie przy ładowarce wyjąć wtyczkę z gniazda sieciowego
- SKIL może zagwarantować bezawaryjne działanie narzędzia tylko przy korzystaniu z odpowiedniego wyposażenia dodatkowego, dostępnego u dystrybutorów produktów SKIL
- Używać tylko akcesoriów, których dopuszczalna prędkość obrotowa jest co najmniej tak wysoka jak najwyższa prędkość obrotowa urządzenia na biegu bez obciążenia
- Narzędzie nie powinny używać dzieci poniżej 16 roku życia
- **Należy zabezpieczyć miejsce przeznaczone do zszycia** (miejsce przeznaczone do zszycia umieszczone w zaciskach lub imadle jest utrzymywane w miejscu bezpieczniej niż w rękę)

- **Elektronarzędzie należy dotykać jedynie przy izolowanych powierzchniach uchwytu, gdy przeprowadza się prace, przy których używane narzędzie może natrafić na ukryte przewody elektryczne lub na wyraźny kabel zasilający** (kontakt z przewodem znajdującym się pod napięciem doprowadza również do tego, że metalowe części elektronarzędzia znajdują się również pod napięciem i doprowadzi do porażenia prądem)
 - **Aby wykryć ukryte przewody zasilające należy używać stosownych detektorów lub porozumieć się z miejscowymi zakładami energetycznymi** (kontakt z przewodami elektrycznymi może doprowadzić do pożaru i porażenia elektrycznego; uszkodzenie przewodu gazowego może doprowadzić do wybuchu; uszkodzenie przewodów instalacji wodociągowej powoduje szkody rzeczowe i może spowodować porażenie elektryczne)
 - **Nie należy obrabiać materiału zawierającego azbest** (azbest jest rakotwórczy)
 - Pył pochodzący z takich materiałów, jak farby zawierające ołów, niektóre gatunki drzewa, minerały i metal może być szkodliwy (kontakt z nim lub wdychanie takiego pyłu może powodować reakcje alergiczne i/lub niewydolność oddechową u operatora lub osób towarzyszących); **należy zakładać maskę przeciwpyłową i pracować z urządzeniem odsysającym, jeżeli można je podłączyć**
 - Niektóre rodzaje pyłu są zaklasyfikowane jako rakotwórcze (takie, jak pył dębu i buka) szczególnie w połączeniu z dodatkami do kondycjonowania drewna; **należy zakładać maskę przeciwpyłową i pracować z urządzeniem odsysającym pył, jeżeli można je podłączyć**
 - Należy stosować się do lokalnych wymogów dotyczących pracy w otoczeniu pyłu powstającego podczas obróbki materiału
 - Przed regulacją elektronarzędzia, wymianą osprzętu, w czasie transportu lub podczas przechowywania należy upewnić się czy przycisk F ② znajduje się w środkowym (blokada) położeniu (zabezpieczony)
- ## ŁADOWANIE/AKUMULATORY
- Do ładowania akumulatorów wykorzystywać tylko znajdującą się w wyposażeniu ładowarkę
 - Nie dotykać styków ładowarki
 - Elektronarzędzie/ładowarka/akumulator powinny być zawsze suche i nie poddawane oddziaływaniom opadów atmosferycznych
 - Elektronarzędzie/ładowarka/akumulator powinny być zawsze przechowywane w pomieszczeniu o temperaturze poniżej 40°C oraz powyżej 0°C
 - Akumulatory w kontakcie z ogniem mogą eksplodować, więc nie wolno ich pod żadnym pozorem spalać
 - Nie próbować uruchamiać uszkodzonej ładowarki; należy ją dostarczyć do autoryzowanego punktu serwisowego elektronarzędzi firmy SKIL
 - Nie używać ładowarki w przypadku stwierdzenia uszkodzenia kabla zasilającego lub wtyku, ładowarkę należy dostarczyć do autoryzowanego punktu serwisowego elektronarzędzi firmy SKIL

- Uszkodzony akumulator natychmiast wymienić i nie używać do pracy
- Nigdy nie demontować ładowarki czy akumulatora
- Nigdy nie próbować ładowania jednorazowych baterii
- Objasnienie oznaczeń na ładowarce/akumulatorach
 - ③ Przed użyciem przeczytaj instrukcję obsługi
 - ④ Ładowarki używaj tylko w pomieszczeniach
 - ⑤ Podwójna izolacja (brak uziemienia)
 - ⑥ Nieprawidłowa polaryzacja podłączenia ładowarki jest niebezpieczna (ładuj akumulatory tylko za pomocą ładowarki dostarczonej w komplecie)
 - ⑦ Nie wyrzucaj ładowarki wraz z odpadami z gospodarstwa domowego
 - ⑧ Nie wyrzucaj akumulatora wraz z odpadami z gospodarstwa domowego
 - ⑨ Technologia NiMH zapewni więcej energii przy mniejszym zanieczyszczeniu środowiska

UŻYTKOWANIE

- Ładowanie akumulatora ⑩
 - akumulatory nowe dostarczane są w stanie nienaładowanym
 - przyłączyć ładowarkę do sieci
 - świeci się lampka B
 - wprowadzić akumulator do gniazda ładowarki
 - lampka B miga, sygnalizując stan ładowania (⑩a)
 - po upływie 2-3 godzinach ładowanie jest zakończone i ładowarka przechodzi automatycznie w tryb pracy podtrzymującej co sygnalizowane jest stałym świeceniem lampki B (⑩b)
- ! **po zakończeniu procesu ładowania należy wyjąć akumulator z gniazda ładowarki, przedłużyć to żywotność akumulatora**

UWAGA:

- w przypadku gdy lampka B po włożeniu akumulatora do ładowarki (⑩b), nie miga może to oznaczać że:
 - 1) akumulator jest zbyt zimny lub zbyt gorący (ładowanie akumulatora możliwe jest w zakresie temperatur od 0°C do 45°C); ładowarka automatycznie przełącza się w tryb pracy podtrzymującej do momentu osiągnięcia przez akumulator prawidłowej temperatury, w którym to uruchamiane jest ładowanie
 - 2) akumulator jest uszkodzony i należy go wymienić
- podczas ładowania zarówno akumulator jak i ładowarka mogą się nagrzewać co jest zjawiskiem prawidłowym
- przed instalacją akumulatora w ładowarce upewnij się, że jego zewnętrzna powierzchnia jest czysta i sucha
- należy unikać ładowania w temperaturze poniżej 0°C i powyżej 40°C; może nastąpić uszkodzenie ładowarki i akumulatora
- podczas pracy akumulatora nie wolno wyjmować z elektronarzędzia
- ! **nowy lub dłuższy czas nieużywany akumulator osiąga swoją pełną wydajność dopiero po ok. 5 cyklach ładowania/wyładowania**

- nie należy doładowywać akumulatora po krótkim okresie pracy przed jego rozładowaniem, powoduje to zmniejszenie żywotności akumulatora
 - po zużyciu należy postępować akumulator niklowo-wodorkowe z zasadami ochrony środowiska i w żadnym wypadku nie wyrzucać do śmietników przydomowych (przypomina o tym symbol ⑧)
 - ! **przed oddaniem akumulatora do punktu odbioru surowców wtórnych zabezpieczyć taśmą jego styki w celu uniknięcia powstawania prądów pelżających**
 - po zakończeniu pracy wyjąć wtyk ładowarki z gniazda sieciowego
 - Włącznik/wyłącznik ze sterowaniem prędkości obrotowej A ②
Zmieniając stopień nacisku na przycisk włącznika/wyłącznika można bezstopniowo sterować prędkością w zakresie od zera do maksymalnej prędkości obrotowej
 - Zmiana kierunku obrotów ①①
 - w przypadku niewłaściwej pozycji przełącznika w lewo/prawo przycisk włącznika/wyłącznika A ② jest zablokowany
 - ! **kierunek obrotów wzmieniać tylko wtedy, gdy narzędzie jest całkowicie zatrzymane**
 - Wymiana wiertła ⑫
 - wsunąć wiertło możliwie głęboko w uchwyt
 - ! **nie używać wiertła ze zniszczonym uchwytem**
 - ! **używać tylko ostrych wiertła**
 - Kontrola momentu obrotowego (VariTorque) ⑬
 - powoduje ograniczenie momentu obrotowego odbieranego z uchwytu wiertarskiego (26 położen spręży)
 - wielkość momentu zwiększa się pokręcając pierścieniem sprężła C z położenia 1 do 25; w położeniu D funkcja sprężła jest wyłączona umożliwiając wykonywanie wiercenia i wkręcania wymagających dużych momentów obrotowych
 - dobierając wielkość momentu obrotowego rozpoznać próby wkręcania od położenia 1 i następnie zwiększać wielkość momentu aż do osiągnięcia wymaganej głębokości wkręcania
 - Mechaniczne przełączanie biegów ⑬
 - ustawić przełącznik E do pożądanej prędkości
 - ! **przełącznik biegów przestawiać podczas ruchu z niewielką prędkością obrotową**
- WYSOKA MOC
- wysoki moment obrotowy
 - do wkręcania i wiercenia otworów o dużej średnicy
 - do gwintowania
- WYSOKA PRĘDKOŚĆ
- niski moment obrotowy
 - do wiercenia otworów o małej średnicy
- Wskaźnik akumulatora ⑭
Pokazuje bieżący stan naładowania akumulatora
 - Utrzymywanie i prowadzenie narzędzia
 - szczeliny wentylacyjne H ② powinny być odkryte
 - nie przyciskać urządzenia zbyt silnie; pozwól mu pracować dla ciebie

WSKAZÓWKI UŻYTKOWANIA

- Wiercenie otworów w metalach, w skład których wchodzi żelazo
 - podczas wiercenia dużych otworów należy wstępnie wywiercić mały otwór
 - od czasu do czasu naołwić wiertło
 - W celu uniknięcia rozwarstwiania przedmiotów drewnianych przy wkręcaniu wkrętów na brzegu należy otwór odpowiednio nawiercić
 - Przy wkręcaniu, a szczególnie wykręcaniu wymagane jest wywieranie stałego nacisku na łeb wkręta
 - Przy wkręcaniu wkrętów w twarde drewno wykonać otwór wstępny
 - Poziom wibracji
Poziom emisji wibracji podany na końcu tej instrukcji został zmierzony zgodnie z testem standaryzowanym podanym w EN 60745; może służyć do porównania jednego narzędzia z innym i jako ocena wstępna narażenia na wibracje w trakcie używania narzędzia do wymienionych zadań
 - używanie narzędzia do innych zadań, lub z innymi albo źle utrzymanymi akcesoriami, może znacząco **zwiększyć** poziom narażenia
 - przypadki, kiedy narzędzie jest wyłączone lub jest czynne, ale aktualnie nie wykonuje zadania, mogą znacząco **zmniejszyć** poziom narażenia
- ! należy chronić się przed skutkami wibracji przez konserwację narzędzia i jego akcesoriów, zakładanie rękawic i właściwą organizację pracy**

KONSERWACJA / SERWIS

- Elektronarzędzie oraz ładowarka z kablem powinno być zawsze czyste
 - styki ładowarki czyścić alkoholem lub odpowiednim preparatem do czyszczenia styków
- ! przed przystąpieniem do wykonywania jakichkolwiek czynności obsługowych przy ładowarce wyjąć wtyk z gniazda sieciowego**
- Jeśli narzędzie/ładowarkę, mimo dokładnej i wszechstronnej kontroli produkcyjnej ulegnie kiedykolwiek awarii, naprawę powinien przeprowadzić autoryzowany serwis elektronarzędzi firmy SKIL
 - odesłać **nierozebrany** narzędzie lub ładowarkę, wraz z dowodem zakupu, do dealera lub do najbliższego punktu usługowego SKIL (adresy oraz diagram serwisowy narzędzenia znajdują się na stronach www.skileurope.com)

ŚRODOWISKO

- **Nie wyrzucaj elektronarzędzi, akcesoriów i opakowania wraz z odpadami z gospodarstwa domowego** (dotyczy tylko państw UE)
 - zgodnie z Europejską Dyrektywą 2002/96/WE w sprawie zużytego sprzętu elektrotechnicznego i elektronicznego oraz dostosowaniem jej do prawa krajowego, zużyte elektronarzędzia należy posegregować i zutylizować w sposób przyjazny dla środowiska

- w przypadku potrzeby pozbycia się narzędzia, akcesoriów i opakowania - symbol ⑦ przypomni Ci o tym

RU

Аккумуляторная 2502/2602/2702 дрель-шурупверт

ВВЕДЕНИЕ

- Данный инструмент предназначен для сверления отверстий в дереве, металле, керамике или пластике; приборы с электронной системой регулирования скорости и с правым и левым вращением пригодны также для завинчивания (напр., винтов/болтов) и нарезания резьбы
- Прочитайте и сохраните с данной инструкцией ③

ТЕХНИЧЕСКИЕ ДАННЫЕ ①

ДЕТАЛИ ИНСТРУМЕНТА ②

- A Курок-выключатель вкл/выкл и регулятор скорости
- B Лампочка (зарядного устройства)
- C Кольцо для контроля крутящего момента
- D Фиксированное положение (муфты)
- E Переключатель передачи
- F Выключатель для изменения направления вращения
- G Быстрозажимной патрон
- H Вентиляционные отверстия
- J Зарядное устройство

БЕЗОПАСНОСТЬ

ОСНОВНЫЕ ИНСТРУКЦИИ ПО ТЕХНИКЕ БЕЗОПАСНОСТИ

⚠ ВНИМАНИЕ! Прочтите все указания и инструкции по технике безопасности. Упущения, допущенные при соблюдении указаний и инструкций по технике безопасности, могут стать причиной электрического поражения, пожара и тяжелых травм.

Сохраняйте эти инструкции и указания для будущего использования. Использованное в настоящих инструкциях и указаниях понятие "электроинструмент" распространяется на электроинструмент с питанием от сети (с кабелем питания от электросети) и на аккумуляторный электроинструмент (без кабеля питания от электросети).

1) БЕЗОПАСНОСТЬ РАБОЧЕГО МЕСТА

- a) **Соблюдайте чистоту и поддерживайте надлежащую освещенность на рабочем месте.** Беспорядок на рабочем месте или его плохое освещение могут привести к несчастным случаям.

- b) **Не используйте с электроинструментом во взрывоопасной среде, т.е. в непосредственной близости от легковоспламеняющихся жидкостей, газов или пыли.** В процессе работы электроинструмент искрит и искры могут воспламенить газы или пыль.
- c) **При работе с электроинструментом не допускайте детей или посторонних на Ваше рабочее место.** Отвлечение Вашего внимания может привести к потере контроля над работой инструмента.
- 2) ЭЛЕКТРИЧЕСКАЯ БЕЗОПАСНОСТЬ**
- a) **Штепсельная вилка кабеля питания электроинструмента должна соответствовать розетке электросети. Не вносите никаких изменений в конструкцию вилки. Не используйте адаптеры для электроинструмента с защитным заземлением.** Заводские штепсельные вилки и соответствующие им сетевые розетки существенно снижают вероятность электрошока.
- b) **Избегайте механических контактов с такими заземленными поверхностями, как трубопроводы, системы отопления, плиты и холодильники.** При соприкосновении человека с заземленными предметами во время работы инструментом вероятность электрошока существенно возрастает.
- c) **Оберегайте электроинструмент от воздействия дождя и влаги.** Попадание воды в электроинструмент повышает вероятность электрического удара.
- d) **Используйте кабель строго по назначению. Не допускайте тянуть и передвигать электроинструмент за кабель или использовать кабель для вытягивания вилки из розетки. Оберегайте кабель инструмента от воздействия высоких температур, масла, острых кромок или движущихся частей электроинструмента.** Поврежденный или спутанный кабель повышает возможность электрического удара.
- e) **При работе на улице используйте удлинитель, предназначенный для работы вне помещения.** Использование такого удлинителя снижает вероятность электрического удара.
- f) **Если невозможно избежать применения электроинструмента в сыром помещении, то устанавливайте устройство защиты от утечки в землю.** Использование устройства защиты от утечки в землю снижает риск электрического поражения.
- 3) ЛИЧНАЯ БЕЗОПАСНОСТЬ**
- a) **Будьте внимательны, следите за тем, что Вы делаете и выполняйте работу обдуманно. Не пользуйтесь электроинструментом, если Вы устали или находитесь под воздействием транквилизаторов, алкоголя или медицинских препаратов.** Секундная потеря концентрации в работе с электроинструментом может привести к серьезным травмам.
- b) **Используйте средства индивидуальной защиты. Защитные очки обязательны.** Средства индивидуальной защиты, такие как противопылевой респиратор, нескользящая защитная обувь, шлем-каска, средства защиты органов слуха применяются в соответствующих условиях работы обстоятельствах и минимизируют возможность получения травм.
- c) **Предотвращайте непреднамеренное включение электроинструмента. Перед подключением электроинструмента к электропитанию и/или к аккумулятору убедитесь в выключенном состоянии электроинструмента.** Если Вы при транспортировке электроинструмента держите палец на выключателе или включенный электроинструмент подключаете к сети питания, то это может привести к несчастному случаю.
- d) **Во избежание травм перед включением инструмента удалите регулировочный или гаечный ключ из вращающейся части инструмента.**
- e) **Не переоценивайте свои возможности. Твердо стойте на ногах и удерживайте равновесие.** В таком положении вы сможете лучше контролировать инструмент в неожиданных ситуациях.
- f) **Используйте подходящую рабочую одежду. Не надевайте свободную одежду и украшения. Волосы, одежда и перчатки должны находиться подальше от движущихся частей электроинструмента.** Свободная одежда, украшения или длинные волосы легко могут попасть в движущиеся части электроинструмента.
- g) **При наличии пылеотсасывающих и пылесборных приспособлений убедитесь в том, что они подсоединены и используются надлежащим образом.** Применение пылесоса может снизить опасность, создаваемые пылью.
- 4) ЭКСПЛУАТАЦИЯ И УХОД ЗА ЭЛЕКТРОИНСТРУМЕНТОМ**
- a) **Не перегружайте инструмент. Используйте тот инструмент, который предназначен для данной работы.** С подходящим инструментом Вы выполните работу лучше и надежней, используя весь диапазон его возможностей.
- b) **Не используйте инструмент с неисправным выключателем.** Инструмент с неисправным выключателем опасен и подлежит ремонту.
- c) **До начала наладки электроинструмента, замены принадлежностей или прекращения работы отключайте штепсельную вилку от розетки сети и/или выньте аккумулятор.** Данная мера предосторожности предотвращает случайное включение инструмента.

- d) **Храните неиспользуемый электроинструмент в недоступном для детей месте и не позволяйте использовать его лицам, не умеющим с ним обращаться или не ознакомленным с инструкцией по эксплуатации.**
Электроинструменты представляют собой опасность в руках неопытных пользователей.
- e) **Электроинструмент требует надлежащего ухода. Проверьте безупречность функции подвижных частей, лёгкость их хода, целостность всех частей и отсутствие повреждений, которые могут негативно сказаться на работе инструмента. При обнаружении повреждений сдайте инструмент в ремонт.** Большое число несчастных случаев связано с неудовлетворительным уходом за электроинструментом.
- f) **Режущие части инструмента необходимо поддерживать в заточенном и чистом состоянии.** При надлежащем уходе за режущими принадлежностями с острыми кромками они реже заклиниваются и инструмент лучше поддаётся контролю.
- g) **Используйте электроинструмент, принадлежности, биты и т.д. в соответствии с данными инструкциями, исходя из особенностей условий и характера выполняемой работы.** Использование электроинструмента не по назначению может привести к опасным последствиям.
- 5) ЭКСПЛУАТАЦИЯ И УХОД ЗА АККУМУЛЯТОРНЫМ ЭЛЕКТРОИНСТРУМЕНТОМ**
- a) **Зарядка аккумуляторной батареи производится только на тех зарядных устройствах, которые рекомендованы изготовителем.** Использование нерегламентированных зарядных устройств для зарядки аккумуляторной батареи может привести к возгоранию.
- b) **В электроинструменте надлежит использовать только те аккумуляторные батареи, которые предусмотрены для данного инструмента.** Использование других аккумуляторных батарей может привести к травмам и возникновению пожарной опасности.
- c) **Не оставляйте аккумуляторную батарею рядом с металлическими предметами – канцелярскими скрепками, монетами, ключами, гвоздями, винтами и другими металлическими предметами, которые могут замкнуть контакты.** Короткое замыкание контактов аккумуляторной батареи может привести к ожогам или пожару.
- d) **В случаях ненадлежащего обращения с аккумуляторной батареей из нее может вытечь жидкость. Избегайте контакта с ней. При случайном попадании жидкости на кожу – промойте водой. При попадании жидкости в глаза, обратитесь также за помощью к врачу.** Вытекшая аккумуляторная жидкость может привести к раздражению кожи или ожогам.

6) СЕРВИСНОЕ ОБСЛУЖИВАНИЕ

- a) **Передавайте инструмент на сервисное обслуживание только квалифицированному персоналу, использующему только подлинные запасные части.** Это обеспечит сохранение безопасности электроинструмента.

УКАЗАНИЯ ПО БЕЗОПАСНОСТИ ДЛЯ АККУМУЛЯТОРНЫХ ДРЕЛЕЙ-ШУРУПОВЕРТОВ

- Избегайте повреждений, которые могут быть вызваны винтами, гвоздями и прочими элементами, находящимися в обрабатываемом предмете; перед началом работы их нужно удалить
- Обязательно убедитесь, что напряжение питания соответствует напряжению, указанному на фирменном штепселе зарядного устройства (зарядные устройства, рассчитанные на напряжение 230 В или 240 В, можно подключать к питанию 220 В)
- В случае механической или электрической неисправности немедленно выключите инструмент или отсоедините зарядное устройство от источника питания
- SKIL обеспечивает надёжную работу инструмента только при использовании соответствующей оснастки, которую можно приобрести у Вашего дилера фирмы SKIL
- Использовать только принадлежности, предельно допустимая скорость вращения которых не меньше, чем максимальная скорость вращения прибора на холостом ходу
- Инструмент нельзя использовать лицам в возрасте до 16 лет
- **Закрепите обрабатываемую деталь** (обрабатываемая деталь, зафиксированная посредством зажимных устройств или тисков, закрепляется лучше, нежели при помощи рук)
- **Держите электроинструмент только за изолированные поверхности рукояток, если Вы выполняете работы, при которых рабочий инструмент может попасть на скрытую электропроводку или на собственный шнур подключения питания** (контакт с токоведущим проводом ставит под напряжение также металлические части электроинструмента и ведёт к поражению электрическим током)
- **Используйте подходящие металлодетекторы для нахождения скрытых проводов снабжения или наведите справки в местных предприятиях коммунального хозяйства** (контакт с электропроводкой может привести к пожару и электрическому удару; повреждение газопровода может привести к взрыву; повреждение водопровода может привести к повреждению имущества или вызвать электрический удар)
- **Не обрабатывайте материалы с содержанием асбеста** (асбест считается канцерогеном)

- Пыль от таких материалов, как свинцовосодержащая краска, некоторые породы дерева, минералы и металл, может быть вредна (контакт с такой пылью или ее вдыхание может стать причиной возникновения у оператора или находящихся рядом лиц аллергических реакций и/или респираторных заболеваний); **надевайте респиратор и работайте с пылеудаляющим устройством при включении инструмента**
- Некоторые виды пыли классифицируются как канцерогенные (например, дубовая или буковая пыль), особенно в сочетании с добавками для кондиционирования древесины; **надевайте респиратор и работайте с пылеудаляющим устройством при включении инструмента**
- Следуйте принятым в вашей стране требованиям/нормативам относительно пыли для тех материалов, с которыми вы собираетесь работать
- Убедитесь в том, что выключатель F ② находится в центральном положении (выключен) перед тем, как Вы начнете выполнять настройку инструмента или смену принадлежностей, а также при переноске и хранении инструмента

ЗАРЯДКА/АККУМУЛЯТОРЫ

- Для зарядки аккумулятора используйте только зарядное устройство, поставляемое с инструментом
- Не касайтесь контактов зарядного устройства
- Исключите возможность попадания дождя на инструмент, зарядное устройство и аккумулятор
- В зоне хранения инструмента, зарядного устройства и аккумулятора температура не должна подниматься выше 40°C и падать ниже 0°C
- При попадании в огонь батареи взрываются, поэтому ни в коем случае не сжигайте батареи
- Запрещается использовать поврежденное зарядное устройство; отвезите его в официально зарегистрированный центр обслуживания SKIL для проверки безопасности работы
- Запрещается использовать зарядное устройство при повреждении шнура или вилки; немедленно замените шнур или вилку в одном из официально зарегистрированных центров обслуживания SKIL
- Запрещается использовать поврежденный аккумулятор; немедленно замените его
- Запрещается разбирать зарядное устройство или аккумулятор
- Запрещается использовать зарядное устройство для зарядки аккумуляторов или батарей, неподлежащих зарядке
- Пояснение к условным обозначениям на зарядном устройстве/батарее
 - ③ Перед использованием ознакомьтесь инструкции по применению
 - ④ Используйте зарядное устройство только вне помещения
 - ⑤ Двойная изоляция (заземляющий провод не требуется)

- ⑥ Неправильная полярность при подключении зарядного устройства опасна (заряжать батарею только зарядным устройством, поставляемым в комплекте с инструментом)
- ⑦ Не выкидывайте зарядное устройство вместе с бытовым мусором
- ⑧ Не выкидывайте аккумулятор вместе с бытовым мусором
- ⑨ Технология NiMH (никель-металл-гидрид) позволяет инструменту дольше работать, меньше загрязняя окружающую среду

ИСПОЛЬЗОВАНИЕ

- Зарядка аккумулятора ⑩
 - аккумулятор новых инструментов заряжен не полностью
 - присоедините зарядное устройство к сети
 - загорится лампочка В
 - вставьте аккумулятор в зарядное устройство
 - лампочка В начнет мигать, указывая на зарядку аккумулятора (⑩a)
 - приблизительно через 2-3 часов аккумулятор полностью заряжен, и лампочка В перестает мигать, в этот момент зарядное устройство автоматически переключается в режим зарядки технического обслуживания (⑩b)
 - ! **выньте аккумулятор из зарядного устройства после окончания зарядки; это позволит увеличить срок службы аккумулятора**
- ВАЖНАЯ ИНФОРМАЦИЯ:
- если лампочка В не мигает после того, как вставлена батарея (⑩b), это может означать следующее:
 - 1) что аккумулятор слишком холодный или слишком горячий (зарядное устройство заряжает аккумуляторы, только если их температура находится в пределах от 0°C до 45°C); зарядное устройство автоматически переключится в режим зарядки технического обслуживания, пока не будет достигнута температура от 0°C до 45°C, затем зарядное устройство автоматически переключится в режим обычной зарядки
 - 2) что аккумулятор должен быть заменен
 - во время зарядки зарядное устройство и аккумулятор могут стать горячими; это не говорит о неисправности
 - перед тем как вставить аккумуляторную батарею в зарядное устройство, очистите и высушите наружную поверхность батареи
 - запрещается проводить зарядку при температуре ниже 0°C и выше 40°C; это может привести к серьезным повреждениям аккумулятора и зарядного устройства
 - запрещается демонтировать аккумулятор во время работы инструмента

! **новый или долгое время не использовавшийся аккумулятор достигает свою полную емкость только приблизительно после 5 циклов зарядки/разрядки**

- запрещается подзаряжать аккумулятор вскоре после начала работы; это может привести к уменьшению рабочего времени и снижению эффективности аккумулятора
 - этим инструментом содержит никель-металлогидридные аккумуляторы; нельзя допускать их взаимодействия с окружающей средой и утилизации их как обычных домашних отходов (об этом напоминает символ ⑧)
- !** **перед тем как выбросить аккумуляторы или направить их на утилизацию, изолируйте клеммы аккумуляторов прочной изоляционной лентой для исключения короткого замыкания**
- если ожидаются длительные периоды, в течение которых инструмент не будет использован, рекомендуется подсоединить зарядное устройство от источника питания

• Комбинированный выключатель А ② предназначен для включения / выключения инструмента и регулирования частоты вращения

Скорость регулируется плавно в диапазоне от нуля до максимального значения путем изменения нажатия на курок выключателя

• Изменение направления вращения ①

- выключатель вкл/выкл А ② не работает, если не установлен в положение лево/право

! **изменять направление вращения следует только в момент полной остановки инструмента**

• Сменные биты ⑫

- вставьте бит в патрон до упора

! **не используйте биты с поврежденным стволом**

! **не пользуйтесь затупившимися битами**

• Регулировка крутящего момента (VariTorque) ⑬

- ограничивает крутящий момент, создаваемый патроном дрели (26 положения муфты)
- крутящий момент будет увеличиваться при вращении зажимного кольца муфты С от положения 1 до положения 25; в положении D муфта блокируется для обеспечения возможности сверления или выполнения других работ в условиях большой нагрузки
- при заворачивании винтов, вначале установите регулировочное кольцо муфты VariTorque в положение 1 и затем увеличивайте крутящий момент пока не будет получена требуемая глубина заворачивания

• Механический выбор передачи ⑬

- установите переключатель E на необходимую скорость

! **переключать передачи допускается на низкой скорости инструмента**

ВЫСОКАЯ МОЩНОСТЬ

- высокий крутящий момент
- для закручивания шурупов и сверления отверстий большого диаметра

ВЫСОКАЯ СКОРОСТЬ

- для нарезания резьбы
 - низкий крутящий момент
 - для сверления отверстий маленького диаметра
- Индикатор уровня заряда ⑭
- Показывает уровень заряда аккумуляторной батареи
- Удержание и направление инструмента
 - содержите вентиляционные отверстия H ② не закрытыми
 - не прилагайте чрезмерных усилий к инструменту, дайте инструменту поработать за Вас

СОВЕТЫ ПО ИСПОЛЬЗОВАНИЮ

- Сверление черных металлов
 - при сверлении отверстий большего диаметра сначала просверлите отверстие меньшего диаметра
 - периодически смазывайте сверло
- При завинчивании шурупа в месте поперечного среза или рядом с ним, а также на кромке деревянной детали рекомендуем во избежание образования трещин сначала просверлить отверстие
- Для обеспечения оптимального режима работы инструмента нажимайте на винт с постоянным усилием при заворачивании и, особенно, при отворачивании
- При заворачивании в твердое дерево предварительно просверлите отверстие для винта
- Уровень вибрации
- Уровень вибрации, указанный в конце данного руководства по эксплуатации, был измерен в соответствии со стандартизованным испытанием, содержащимся в EN 60745; данная характеристика может использоваться для сравнения одного инструмента с другим, а также для предварительной оценки воздействия вибрации при использовании данного инструмента для указанных целей
- при использовании инструмента в других целях или с другими/неисправными вспомогательными приспособлениями уровень воздействия вибрации может значительно **повышаться**
 - в периоды, когда инструмент отключен или функционирует без фактического выполнения работы, уровень воздействия вибрации может значительно **снижаться**
- !** **защищайте себя от воздействия вибрации, поддерживая инструмент и его вспомогательные приспособления в исправном состоянии, поддерживая руки в тепле, а также правильно организовав свой рабочий процесс**

ТЕХОБСЛУЖИВАННЯ / СЕРВИС

- Содержите инструмент и зарядное устройство в чистоте
 - для очистки зарядных контактов в зарядном устройстве используйте спирт или средство для очистки контактов
- ! **перед очисткой отсоедините зарядное устройство от источника питания**
- Если инструмент/зарядное устройство, несмотря на тщательные методы изготовления и испытания, выйдет из строя, то ремонт следует производить силами авторизованной сервисной мастерской для электроинструментов фирмы SKIL
 - отправьте **неразобранный** инструмент или зарядное устройство со свидетельством покупки Вашему дилеру или в ближайшую станцию обслуживания фирмы SKIL (адреса и схема обслуживания инструмента приведены в вебсайте www.skileurope.com)

ОХРАНА ОКРУЖАЮЩЕЙ СРЕДЫ

- **Не выкидывайте электроинструмент, принадлежности и упаковку вместе с бытовым мусором** (только для стран ЕС)
 - во исполнение европейской директивы 2002/96/ЕС об утилизации отслужившего свой срок электрического и электронного оборудования и в соответствии с действующим законодательством, утилизация электроинструментов производится отдельно от других отходов на предприятиях, соответствующих условиям экологической безопасности
 - значок ⑦ напомним Вам об этом, когда появится необходимость сдать электроинструмент на утилизацию

UA

Бездротова дріль / 2502/2602/2702
викрутка

ВСТУП

- Пристрій призначений для свердління по дереву, металу, керамці та синтетичному матеріалі; прилади з електронною системою регулювання швидкості з правим та лівим обертанням придатні також для загвинчування та нарізання різьби
- Прочитайте і збережіть цю Інструкцію з експлуатації ③

ТЕХНІЧНІ ДАНІ ①

ЕЛЕМЕНТИ ІНСТРУМЕНТА ②

- A** Вимикач для вкл/викл та регулювання швидкості
- B** Лампочка (зарядного пристрою)
- C** Кільце для регулювання моменту обертання
- D** Фіксоване положення (муфти)
- E** Перемикач швидкості
- F** Вимикач для зміни напрямку обертання
- G** Подвійний безключовий патрон
- H** Вентиляційні отвори
- J** Зарядний пристрій

БЕЗПЕКА

ЗАГАЛЬНІ ВКАЗІВКИ З ТЕХНІКИ БЕЗПЕКИ

⚠ УВАГА! Прочитайте всі попередження і вказівки. Недодержання попереджень і вказівок може призводити до удару електричним струмом, пожежі та/або серйозних травм. **Добре зберігайте на майбутнє ці попередження і вказівки.** Під поняттям "електроприлад" в цих попередженнях мається на увазі електроприлад, що працює від мережі (з електрокабелем) або від акумуляторної батареї (без електрокабелю).

1) БЕЗПЕКА НА РОБОЧОМУ МІСЦІ

- Примайте своє робоче місце в чистоті та прибирайте його.** Безлад або погане освітлення на робочому місці можуть призводити до нещасних випадків.
- Не працюйте з приладом у середовищі, де існує небезпека вибуху внаслідок присутності горючих рідин, газів або пилу.** Електроприлади можуть породжувати іскри, від яких може займатися пил або пари.
- Під час працювання з приладом не підпускайте до робочого місця дітей та інших людей.** Ви можете втратити контроль над приладом, якщо Ваша увага буде відвернута.

2) ЕЛЕКТРИЧНА БЕЗПЕКА

- Штепсель приладу повинен пасувати до розетки. Не дозволяється що-небудь міняти в штепселі. Для роботи з приладами, що мають захисне заземлення, не використовуйте адаптери.** Використання оригінального штепселя та належної розетки зменшує ризик удару електричним струмом.
- Уникайте контакту частей тіла із заземленими поверхнями, як напр., трубами, батареями опалення, печами та холодильниками.** Коли Ваше тіло заземлене, існує збільшена небезпека удару електричним струмом.
- Захищайте прилад від дощу та вологи.** Попадання води в електроінструмент збільшує ризик удару електричним струмом.

- d) Не використовуйте кабель для перенесення приладу, підвішування або витягування штепселя з розетки. Захищайте кабель від жару, олії, гострих країв та деталей приладу, що рухаються. Пошкоджений або закручений кабель збільшує ризик удару електричним струмом.
- e) Для зовнішніх робіт обов'язково використовуйте лише такий подовжувач, що допущений для зовнішніх робіт. Використання подовжувача, що розрахований на зовнішні роботи, зменшує ризик удару електричним струмом.
- f) Якщо не можна запобігти використанню електроприладу у вологому середовищі, використовуйте пристрій захисту від витоку в землю. Використання зристою захисту від витоку в землю зменшує ризик удару електричним струмом.
- ### 3) БЕЗПЕКА ЛЮДЕЙ
- a) Будьте уважними, слідкуйте за тим, що Ви робите, та розсудливо поведіться під час роботи з електроприладом. Не користуйтеся приладом, якщо Ви стомлені або знаходитесь під дією наркотиків, спиртних напоїв або лік. Мить неуважності при користуванні приладом може призводити до серйозних травм.
- b) Вдягайте особисте захисне спорядження та обов'язково вдягайте захисні окуляри. Вдягання особистого захисного спорядження, як напр., - в залежності від виду робіт - захисної маски, спецвзуття, що не ковзається, каски або навушників, зменшує ризик травм.
- c) Уникайте ненавмисного вмикання. Перш ніж вмикати електроприлад в електромережу або встромляти акумуляторну батарею, брати його в руки або переносити, впевніться в тому, що електроприлад вимкнений. Тримання пальця на вимикачі під час перенесення електроприладу або встромляння в розетку увімкненого приладу може призводити до травм.
- d) Перед тим, як вмикати прилад, приборіть налагоджувальні інструменти та гайковий ключ. Знаходження налагоджувального інструмента або ключа в деталі, що обертається, може призводити до травм.
- e) Не переоцінюйте себе. Зберігайте стійке положення та завжди зберігайте рівновагу. Це дозволить Вам краще зберігати контроль над приладом у несподіваних ситуаціях.
- f) Вдягайте придатний одяг. Не вдягайте просторий одяг та прикраси. Не підставляйте волосся, одяг та рукавиці близько до деталей приладу, що рухаються. Просторий одяга, прикраси та довге волосся можуть попадати в деталі, що рухаються.
- g) Якщо існує можливість монтувати пиловідсмоктувальні або пилоуловлювальні пристрої, переконайтеся, щоб вони були добре під'єднані та правильно використовувалися. Використання пиловідсмоктувального пристрою може зменшити небезпеки, зумовлені пилом.
- ### 4) ПРАВИЛЬНЕ ПОВОДЖЕННЯ ТА КОРИСТУВАННЯ ЕЛЕКТРОПРИЛАДАМИ
- a) Не перевантажуйте прилад. Використовуйте такий прилад, що спеціально призначений для певної роботи. З придатним приладом Ви з меншим ризиком отримаєте кращі результати роботи, якщо будете працювати в зазначеному діапазоні потужності.
- b) Не користуйтеся приладом з пошкодженим вимикачем. Прилад, який не можна увімкнути або вимкнути, є небезпечним і його треба відремонтувати.
- c) Перед тим, як регулювати що-небудь на приладі, міняйте приладдя або ховати прилад, витягніть штепсель із розетки та/або витягніть акумуляторну батарею. Ці попереджувальні заходи з техніки безпеки зменшують ризик ненавмисного запуску приладу.
- d) Зберігайте електроприлади, якими Ви саме не користуєтесь, далеко від дітей. Не дозволяйте користуватися електроприладом особам, що не знайомі з його роботою або не читали ці вказівки. У разі застосування недосвідченими особами прилади несуть в собі небезпеку.
- e) Старанно дотримуйтеся за приладом. Перевірте, щоб рухомі деталі приладу бездоганно працювали та не заїдали, не були поламаними або настільки пошкодженими, щоб це могло вплинути на функціонування приладу. Пошкоджені деталі треба відремонтувати в авторизованій майстерні, перш ніж ними можна знову користуватися. Велика кількість нещасних випадків спричиняється поганим доглядом за електроприладами.
- f) Тримайте різальні інструменти добре нагостреними та в захисті. Старанно доглянуті різальні інструменти з гострим різальним краєм менше застряють та їх легше вести.
- g) Використовуйте електроприлад, приладдя до них, робочі інструменти т.і. відповідно до цих вказівок. Беріть до уваги при цьому умови роботи та специфіку виконуваної роботи. Використання електроприладів для робіт, для яких вони не передбачені, може призводити до небезпечних ситуацій.
- ### 5) ПРАВИЛЬНЕ ПОВОДЖЕННЯ ТА КОРИСТУВАННЯ ЕЛЕКТРОПРИЛАДАМИ, ЩО ПРАЦЮЮТЬ НА АКУМУЛЯТОРНИХ БАТАРЕЯХ
- a) Заряджуйте акумуляторні батареї лише в заряджувальних пристроях, рекомендованих виготовлювачем. Використання заряджувального пристрою для акумуляторних батарей, для яких він не передбачений, може призводити до пожежі.
- b) Використовуйте в електроприладах лише рекомендовані акумуляторні батареї. Використання інших акумуляторних батарей може призводити до травм та пожежі.

- c) **Не зберігайте акумуляторну батарею, якою Ви саме не користуєтесь, поряд із канцелярськими скріпками, ключами, гвіздками, гвинтами та іншими невеликими металевими предметами, які можуть спричинити перемикання контактів.** Коротке замикання між контактами акумуляторної батареї може спричинити опіки або пожежу.
 - d) **При неправильному використанні з акумуляторної батареї може потекти рідина. Уникайте контакту з нею. При випадковому контакті промийте відповідне місце водою. Якщо рідина потрапила в очі, додатково зверніться до лікаря.** Акумуляторна рідина може спричинити подразнення шкіри або опік.
- 6) СЕРВИС**
- a) **Віддавайте свій прилад на ремонт лише кваліфікованим фахівцям та лише з використанням оригінальних запчастин.** Це забезпечить безпеку приладу на довгий час.

ВКАЗІВКИ ПО БЕЗПЕЦІ ДЛЯ ДРИЛЬ/ВИКРУТКИ З АКУМУЛЯТОРНИМ ЖИВЛЕННЯМ

- Не допускайте пошкоджень, які можуть нанести шурупи, цвяхи і інші елементи вашому виробу; видаліть їх перед початком роботи
- Обов'язково переконайтесь, що напруга струму відповідає напрузі, вказаній на фірмовому штемпелі інструмента (інструменти розраховані на напругу 230 В або 240 В, можна підключати до струму 220 В)
- У випадку електричної чи механічної несправності негайно вимкніть інструмент або відключіть зарядний пристрій від електричності
- SKIL гарантує надійну роботу інструмента тільки при використанні відповідного приладдя, які можна отримати у Вашого дилера фірми SKIL
- Використовуйте лише приладдя, припусає швидкість обертання якого як мінімум відповідає найвищій швидкості інструмента без навантаження
- Цей інструмент не можна використовувати особам віком до 16 років
- **Зафіксуйте оброблювану деталь** (оброблювана деталь, зафіксована за допомогою затискних пристроїв або лещат, закріплюється краще, ніж вручну)
- **При роботах, коли робочий інструмент може зачепити заховану електропроводку або власний шнур живлення, тримайте електроприлад за ізольовані рукоятки** (зачеплення електропроводки заряджує металеві частини електроприладу і призводить до удару електричним струмом)
- **Використовуйте придатні пошукові прилади для знаходження захованих в будівлі труб та кабелів або зверніться за допомогою в місцеве підприємство електро-, газо- та водопостачання** (зачеплення електропроводки може призводити до пожежі та удару електричним струмом; зачеплення газової труби може призводити до вибуху; зачеплення водопровідної труби може завдати шкоду матеріальним цінностям або призводити до удару електричним струмом)

- **Не обробляйте матеріали, що містять асбест** (асбест вважається канцерогенним)
- Пил від таких матеріалів, як свинцовоутримуюча фарба, деякі породи дерева, мінерали й метал, може бути шкідливим (контакт із таким пилом або його вдихання може стати причиною виникнення у оператора або осіб, що перебувають поруч, алергічних реакцій і/або респіраторних захворювань); **надягайте респіратор і працюйте з пиловидальючим пристроєм під час увімкнення інструмента**
- Деякі види пилу класифікуються як канцерогенні (наприклад, дубовий або буковий пил), особливо в сполученні з добавками для кондиціонування деревини; **надягайте респіратор і працюйте з пиловидальючим пристроєм під час увімкнення інструмента**
- Слідуйте інструкціям по роботі з матеріалами, продукуючими пил
- Преконайтесь що бігунець реверсу F ② в середньому положенні (блокування) перед будь-якими налагодками чи змінами приладдя, тоді коли ви тримаєте або поклали інструмент

ЗАРЯДЖАННЯ/АКУМУЛЯТОР

- Заряджайте акумулятор тільки зарядним пристроєм, яким комплектується інструмент
- Не торкайтесь клем зарядного пристрою
- Не підвергайте інструмент/зарядний пристрій/акумулятор дії дощу
- Зберігайте інструмент/зарядний пристрій/акумулятор при температурі не меншій 0°C та не більшій 40°C
- При влученні у вогонь батареї вибухають, тому в жодному разі не спалюйте батареї
- Не використовуйте пошкоджені зарядний пристрій - віднесіть їх до сертифікованого SKIL сервісного центру для безпечної починки
- Не використовуйте зарядний пристрій коли пошкоджені дріт або вилка; вони мають бути негайно замінені в SKIL сервіс центрі
- Не використовуйте пошкоджені акумулятор; негайно від'єднайте його від інструмента
- Не розбирайте акумулятор чи зарядний пристрій самостійно
- Не намагайтесь заряджати акумулятори, що не підлягають повторній зарядці, зарядним пристроєм до цього інструмента
- Пояснення до умовних позначок на зарядному пристрої/батарей
 - ③ Перед використанням прочитайте інструкцію із застосування
 - ④ Використовуйте зарядний пристрій тільки поза приміщенням
 - ⑤ Подвійна ізоляція (заземлюючий провід не потрібен)
 - ⑥ Неправильна полярність при підключенні зарядного пристрою є небезпечною (заряджайте батарею тільки зарядним пристроєм, що поставляється в комплекті з інструментом)

- ⑦ Не викидайте зарядний пристрій разом зі звичайним сміттям
- ⑧ Не викидайте акумулятор разом зі звичайним сміттям
- ⑨ Технологія NiMH (нікель-метал-гідрид) дозволяє інструменту довше працювати, менше забруднюючи навколишнє середовище

ВИКОРИСТАННЯ

- Заряджання акумулятора ⑩
 - акумулятор нового інструмента заряджений не на повну ємність
 - під'єднайте зарядний пристрій до джерела живлення
 - буде горіти лампочка В
 - вставте батарею до зарядника
 - лампочка В буде мигати, тобто батарея отримує заряд (10a)
 - після близько 2-3 години батарея повністю заряджається і лампочка В постійно горить після мигання, при цьому зарядний пристрій автоматично перемикається до режиму підзарядки (10b)
- ! **від'єднайте акумулятор від зарядного пристрою після закінчення періоду заряджання, це подовжить термін робочої експлуатації акумулятора**

ВАЖЛИВО:

- якщо лампочка В не мигає після вставлення батареї (10b), це означає, що:
 - 1) батарея надто холодна або надто гаряча (зарядний пристрій заряджає батарею лише коли їх температура від 0°C до 45°C); тоді зарядний пристрій автоматично перемикається до режиму підзарядки, поки температура не стане від 0°C до 45°C, а потім зарядний пристрій автоматично перемикається до режиму нормальної зарядки
 - 2) батарею слід замінити
- під час заряджання, зарядний пристрій та акумулятор можуть стати теплими на дотик; це нормально і не свідчить про виникнення проблем
- переконайтесь, що акумулятор чистий та сухий перед тим як під'єднати його до зарядного пристрою
- не заряджайте при температурі нижчій 0°C та вищій 40°C; це серйозно шкідить як акумулятору так і зарядному пристрою
- не від'єднуйте акумулятор під час роботи інструмента
- ! **нова акумуляторна або та, що не використовувалася протягом тривалого періоду часу, потребує для досягнення своєї повної ємності приблизно 5 циклів заряджання/озряджання**

- не заряджайте повторно акумулятор після короткого використання; це може спричинити зменшення ємності акумулятора, що в свою чергу вплине на час роботи інструмента
 - нікель-металгідридні акумулятори не повинні при викиданні потрапити до природної середі; не викидайте його разом із побутовим сміттям (малюнок ⑧ нагадає вам про це, коли виникне потреба позбавитись акумулятора)
 - ! **перед тим, як позбутись акумулятора: заклейте грубою клейкою стрічкою клеми, щоб запобігти короткому замиканню**
 - якщо ви не будете користуватись інструментом довгий час, то від'єднайте зарядний пристрій від джерела електроенергії
 - Комбінований перемикач А ② для вмикання/вимикання та керування обертами
 - Плавно керує обертами від нуля до максимальних в залежності від сили натискання на перемикач
 - Зміна напрямку обертання ⑪
 - при неповній установці положення лів/прав пусковий виключачель А ② не працює
 - ! **мінняйте напрям обертання тільки при повній зупинці інструмента**
 - Заміна насадок ⑫
 - введіть насадку в патрон до упору
 - ! **не використовуйте насадки з пошкодженням стовбуром**
 - ! **не використовуйте тупі насадки**
 - Регулювання моменту обертання (VariTorque) ⑬
 - обмежує вихід обертаючого моменту через патрон (26 позицій муфта)
 - вихідний момент обертання буде зростати, якщо крутити кулачок С від 1 до 25; положення D заблокує кулачок, що дозволить свердлити або туго загвинчувати
 - коли вгвинчуєте саморіз спочатку спробуйте першу позицію VariTorque 1, потім починайте нарощувати, поки потрібна глибина вкручування не буде досягнута
 - Механічне перемикач швидкості ⑬
 - увімкніть перемикачем Е необхідну для вас швидкість
 - ! **перемикайте перемикач швидкості під час повільного обертання**
- МАЛА ШВИДКІСТЬ**
- високий крутний момент
 - для свердління та вгвинчування великих діаметрів
 - для нанесення різьби
- ВИСОКА ШВИДКІСТЬ**
- малий крутний момент
 - для свердління малих діаметрів
- Індикатор рівня заряду батареї ⑭
 - Показує, скільки енергії лишилось у батареї
- Утримування і робота інструментом
 - тримайте вентиляційні отвори Н ② незакритими
 - не тисніть на інструмент; дайте інструменту можливість працювати за вас

ΠΟΡΑΔΙ ΠΟ ΒΙΚΟΡΙΣΤΑΝΙΟ

- Свердління чорних металів
 - попередньо просвердліть отвір меншого діаметру, якщо необхідний отвір великого розміру
 - час від часу змащуйте свердла маслом
 - При вгвинчуванні шурупів у поперечний зріз дерева або біля нього або в кромку дерева необхідно спочатку просвердлити отвір, щоб запобігти розколу деревини
 - Для оптимального вгвинчування необхідно створювати постійний тиск на інструмент, коли вигвинчуєте тиснути треба сильніше
 - Коли працюєте з особливо твердими породами дерев необхідно зробити попереднє просвердлювання
 - Рівень вібрації
Рівень вібрації, зазначений в кінці даного посібника з експлуатації, було виміряно у відповідності зі стандартизованим випробуванням, що міститься в EN 60745; дана характеристика може використовуватися для порівняння одного інструмента з іншим, а також для попередньої оцінки впливу вібрації під час застосування даного інструмента для вказаних цілей
 - при використанні інструмента в інших цілях або з іншими/несправними допоміжними пристосуваннями рівень впливу вібрації може значно **підвищуватися**
 - у періоди, коли інструмент вимикнений або функціонує без фактичного виконання роботи, рівень впливу вібрації може значно **знижуватися**
- ! захищайте себе від впливу вібрації, підтримуючи інструмент і його допоміжні пристосування в справному стані, підтримуючи руки в теплі, а також правильно організовуючи свій робочий процес**

ΔΟΓΛΑΔ / СΕΒΡΙС

- Тримайте інструмент та зарядний пристрій у чистоті
 - контакти в зарядному пристрої слід чистити спиртом або іншим засобом для зачистки контактів
- **! перед чистенням зарядного пристрою слід від'єднати його від електромережі**
- Якщо незважаючи на ретельну технологію виготовлення і перевірки інструмент/зарядний пристрій все-таки вийде з ладу, його ремонт дозволяється виконувати лише в авторизованій сервісній майстерні для електроприладів SKIL
 - відішліть інструмент або зарядний пристрій у **нерозібраному** вигляді разом з доказом покупки дилера або в найближчий відділ обслуговування SKIL (адреси та схема обслуговування інструмента приводяться в www.skileurope.com)

ΟΧΟΡΟΝΑ ΝΑΒΚΟΛΙШНЬΟΪ СΕΡΕΔΙ

- **Не викидайте електроінструмент, належності та упаковку разом зі звичайним сміттям** (тільки для країн ЄС)
 - відповідно до європейської директиви 2002/96/ЄС щодо утилізації старих електричних та електронних приладів, в залежності з місцевим законодавством, електроінструмент, який перебував в експлуатації повинен бути утилізований окремо, безпечно для навколишнього середовища шляхом
 - малюнок ⑦ нагадає вам про це

GR

**Επαναφορτιζόμενο 2502/2602/2702
δραπανοκατσαβίδο**

ΕΙΣΑΓΩΓΗ

- Το εργαλείο προορίζεται για τρίτημα σε ξύλο, σε μέταλλα, σε κεραμικά και πλαστικά υλικά - αμφίστροφα (δεξιο-αριστερόστροφα) εργαλεία με ηλεκτρονική ρύθμιση ταχύτητας είναι επίσης κατάλληλα για βίδωμα και για άνοιγμα σπειρωμάτων
- Διαβάστε και φυλάξτε αυτές τις οδηγίες χρήσεως ③

ΤΕΧΝΙΚΑ ΧΑΡΑΚΤΗΡΙΣΤΙΚΑ ①

ΜΕΡΗ ΤΟΥ ΕΡΓΑΛΕΙΟΥ ②

- A** Διακόπτης εκκίνησης/στάσης και ελέγχου ταχύτητας
- B** Λυχνία (φορτιστή)
- C** Δακτυλίδι ελέγχου της ροπής στρέψης
- D** Θέση ασφάλισης (σύμπλεξης)
- E** Διακόπτης επιλογής ταχυτήτων
- F** Διακόπτης αλλαγής της κατεύθυνσης περιστροφής
- G** Ταχυτόοκ χωρίς κλειδί
- H** Σχισμές αερισμού
- J** Φορτιστής

ΑΣΦΑΛΕΙΑ

ΓΕΝΙΚΕΣ ΟΔΗΓΙΕΣ ΑΣΦΑΛΕΙΑΣ

⚠️ ΠΡΟΕΙΔΟΠΟΙΗΣΗ! Διαβάστε όλες τις προειδοποιητικές υποδείξεις. Αμέλειες κατά την τήρηση των προειδοποιητικών υποδείξεων μπορεί να προκαλέσουν ηλεκτροπληξία, κίνδυνο πυρκαγιάς ή/και σοβαρούς τραυματισμούς. **Φυλάξτε όλες τις προειδοποιητικές υποδείξεις και οδηγίες για κάθε μελλοντική χρήση.** Ο ορισμός “ηλεκτρικό εργαλείο” που χρησιμοποιείται στις προειδοποιητικές υποδείξεις αναφέρεται σε ηλεκτρικά εργαλεία που τροφοδοτούνται από το ηλεκτρικό δίκτυο (με ηλεκτρικό καλώδιο) καθώς και σε ηλεκτρικά εργαλεία που τροφοδοτούνται από μπαταρία (χωρίς ηλεκτρικό καλώδιο).

1) ΑΣΦΑΛΕΙΑ ΣΤΟ ΧΩΡΟ ΕΡΓΑΣΙΑΣ

- a) Διατηρείτε το χώρο που εργάζεσθε καθαρό και καλά φωτισμένο. Αταξία στο χώρο που εργάζεσθε ή μη φωτισμένες περιοχές εργασίας μπορεί να οδηγήσουν σε ατυχήματα.
 - b) Μην εργάζεσθε με το ηλεκτρικό εργαλείο σε περιβάλλον που υπάρχει κίνδυνος έκρηξης, στο οποίο υπάρχουν εύφλεκτα υγρά, αέρια ή σκόνη. Τα ηλεκτρικά εργαλεία μπορεί να δημιουργήσουν σπινθηρισμό ο οποίος μπορεί να αναφλέξει τη σκόνη ή τις αναθυμιάσεις.
 - c) Όταν χρησιμοποιείτε το ηλεκτρικό εργαλείο κρατάτε τα παιδιά κι άλλα τυχόν πρόσωπα μακριά από το χώρο που εργάζεσθε. Σε περίπτωση που άλλα άτομα αποσπάσουν την προσοχή σας μπορεί να χάσετε τον έλεγχο του μηχανήματος.
- ### 2) ΗΛΕΚΤΡΙΚΗ ΑΣΦΑΛΕΙΑ
- a) Το φως του καλωδίου του ηλεκτρικού εργαλείου πρέπει να ταιριάζει στην αντίστοιχη πρίζα. Δεν επιτρέπεται με κανένα τρόπο η μετασκευή του φως. Μη χρησιμοποιείτε προσαρμοστικά φως σε συνδυασμό με ηλεκτρικά εργαλεία συνδεδεμένα με τη γη (γειωμένα). Αθικτα φως και κατάλληλες πρίζες μειώνουν τον κίνδυνο ηλεκτροπληξίας.
 - b) Αποφεύγετε την επαφή του σώματος σας με γειωμένες επιφάνειες όπως σωλήνες, θερμαντικά σώματα (καλοριφέρ), κουζίνες και ψυγεία. Όταν το σώμα σας είναι γειωμένο αυξάνεται ο κίνδυνος ηλεκτροπληξίας.
 - c) Μην εκθέτετε το ηλεκτρικό εργαλείο στη βροχή ή την υγρασία. Η δειξοδυσση νερού στο ηλεκτρικό εργαλείο αυξάνει τον κίνδυνο ηλεκτροπληξίας.
 - d) Μη χρησιμοποιείτε το καλώδιο για να μεταφέρετε ή ν'αναρτήσετε το ηλεκτρικό εργαλείο ή για να βγάλετε το φως από την πρίζα. Κρατάτε το καλώδιο μακριά από υψηλές θερμοκρασίες, λάδια, κοφτερές ακμές ή κινούμενα εξαρτήματα. Τυχόν χαλασμένα ή μπερδεμένα καλώδια αυξάνουν τον κίνδυνο ηλεκτροπληξίας.
 - e) Όταν εργάζεσθε με το ηλεκτρικό εργαλείο στο ύπαιθρο χρησιμοποιείτε πάντοτε καλώδια επιμήκυνσης (μπαλαντάζες) που έχουν εγκριθεί για χρήση σε εξωτερικούς χώρους. Η χρήση καλωδίων επιμήκυνσης εγκριμένων για εργασία σε εξωτερικούς χώρους μειώνει τον κίνδυνο ηλεκτροπληξίας.
 - f) Όταν η χρήση του ηλεκτρικού εργαλείου σε υγρό περιβάλλον είναι αναπόφευκτη, τότε χρησιμοποιήστε έναν προστατευτικό διακόπτη διαρροής. Η χρήση ενός προστατευτικού διακόπτη διαρροής ελαττώνει τον κίνδυνο ηλεκτροπληξίας.

3) ΑΣΦΑΛΕΙΑ ΠΡΟΣΩΠΩΝ

- a) Να είσθε πάντοτε προσεκτικός/προσεκτική, να δίνετε προσοχή στην εργασία που κάνετε και να χειρίζεσθε το ηλεκτρικό εργαλείο με περίσκεψη. Μην κάνετε χρήση του ηλεκτρικού εργαλείου όταν είσθε κουρασμένος/κουρασμένη ή όταν βρίσκεσθε υπό την επιρροή ναρκωτικών, οινοπνεύματος ή φαρμάκων. Μια στιγμήαία απροσεξία κατά το χειρισμό του ηλεκτρικού εργαλείου μπορεί να οδηγήσει σε σοβαρούς τραυματισμούς.
 - b) Φοράτε προστατευτικά ενδύματα και πάντοτε προστατευτικά γυαλιά. Όταν φοράτε ενδύματα ασφαλείας, ανάλογα με το υπό χρήση ηλεκτρικό εργαλείο, όπως προσωπίδα προστασίας από σκόνη, αντιολισθηκά παπούτσια ασφαλείας, κράνη ή ωτασπίδες, μειώνεται ο κίνδυνος τραυματισμών.
 - c) Αποφεύγετε την αθέλητη εκκίνηση. Βεβαιωθείτε ότι το ηλεκτρικό εργαλείο έχει αποξευχτεί πριν το συνδέσετε με το ηλεκτρικό δίκτυο ή/και με την μπαταρία καθώς και πριν το παραλάβετε ή το μεταφέρετε. Όταν μεταφέρετε το ηλεκτρικό εργαλείο έχοντας το δάχτυλό σας στο διακόπτη ή όταν συνδέσετε το μηχανήμα με την πηγή ρεύματος όταν αυτό είναι ακόμη συζευγμένο, τότε δημιουργείται κίνδυνος τραυματισμών.
 - d) Αφαιρείτε από τα ηλεκτρικά εργαλεία πριν τα θέσετε σε λειτουργία τυχόν συναρμολογημένα χρησιμοποιήσιμα εργαλεία ή κλειδιά. Ένα εργαλείο ή κλειδί συναρμολογημένο στο περιστρεφόμενο εξάρτημα ενός ηλεκτρικού εργαλείου μπορεί να οδηγήσει σε τραυματισμούς.
 - e) Μην υπερκτιμάτε τον εαυτό σας. Φροντίζετε για την ασφαλή στήριξη του σώματος σας και διατηρείτε πάντοτε την ισορροπία σας. Αυτό σας επιτρέπει τον καλύτερο έλεγχο το ηλεκτρικού εργαλείου σε περιπτώσεις απροσδόκτων καταστάσεων.
 - f) Φοράτε κατάλληλη ενδυμασία εργασίας. Μη φοράτε φαρδιά ενδύματα ή κοσμήματα. Κρατάτε τα μαλλιά σας, τα ενδύματα σας και τα γάντια σας μακριά από τα κινούμενα εξαρτήματα. Χαλαρή ενδυμασία, κοσμήματα και μακριά μαλλιά μπορεί να εμπλακούν στα κινούμενα εξαρτήματα.
 - g) Αν υπάρχει η δυνατότητα συναρμολόγησης διατάξεων αναρρόφησης ή συλλογής σκόνης, βεβαιωθείτε αν οι διατάξεις αυτές είναι συνδεδεμένες καθώς κι αν χρησιμοποιούνται σωστά. Η χρήση μιας αναρρόφησης σκόνης μπορεί να ελαττώσει τον κίνδυνο που προκαλείται από τη σκόνη.
- ### 4) ΧΡΗΣΗ ΚΙ ΕΠΙΜΕΛΗΣ ΧΕΙΡΙΣΜΟΣ ΤΩΝ ΗΛΕΚΤΡΙΚΩΝ ΕΡΓΑΛΕΙΩΝ
- a) Μην υπερφορτώνετε το ηλεκτρικό εργαλείο. Χρησιμοποιείτε για την εκάστοτε εργασία σας το ηλεκτρικό εργαλείο που προορίζεται γι'αυτήν. Με το κατάλληλο ηλεκτρικό εργαλείο εργάζεσθε καλύτερα και ασφαλέστερα στην αναφερόμενη περιοχή ισχύος.

- b) **Μη χρησιμοποιήσετε ποτέ ένα ηλεκτρικό εργαλείο του οποίου ο διακόπτης ON/OFF είναι χαλασμένος.** Ένα ηλεκτρικό εργαλείο του οποίου δεν μπορεί να τεθεί πλέον σε ή εκτός λειτουργίας είναι επικίνδυνο και πρέπει να επισκευαστεί.
- c) **Βγάζετε το φως από την πρίζα και/ή αφαιρέστε την μπαταρία πριν διεξάγετε στο εργαλείο μια οποιαδήποτε εργασία ρύθμισης, πριν αλλάξετε ένα εξάρτημα ή όταν πρόκειται να διαφυλάξετε/να αποθηκεύσετε το εργαλείο.** Αυτά τα προληπτικά μέτρα ασφαλείας μειώνουν τον κίνδυνο από τυχόν αβέλγητη εκκίνηση του ηλεκτρικού εργαλείου.
- d) **Διαφυλάγετε τα ηλεκτρικά εργαλεία που δε χρησιμοποιείτε μακριά από παιδιά. Μη αφήνετε άτομα που δεν είναι εξοικειωμένα με το ηλεκτρικό εργαλείο ή δεν έχουν διαβάσει αυτές τις οδηγίες χρήσης να το χρησιμοποιήσουν.** Τα ηλεκτρικά εργαλεία είναι επικίνδυνα όταν χρησιμοποιούνται από άπειρα πρόσωπα.
- e) **Να περιποιήστε προσεκτικά το ηλεκτρικό σας εργαλείο και να ελέγχετε, αν τα κινούμενα τμήματα του λειτουργούν άψογα και δεν μπλοκάρουν, ή μήπως έχουν χαλάσει ή σπάσει εξαρτήματα, τα οποία επηρεάζουν έτσι αρνητικά τον τρόπο λειτουργίας του ηλεκτρικού εργαλείου. Δώστε τυχόν χαλασμένα εξαρτήματα του ηλεκτρικού εργαλείου για επισκευή πριν το χρησιμοποιήσετε πάλι.** Η ανεπαρκής συντήρηση των ηλεκτρικών εργαλείων αποτελεί αιτία πολλών ατυχημάτων.
- f) **Διατηρείτε τα κοπτικά εργαλεία κοφτερά και καθαρά.** Τα κοπτικά εργαλεία που συντηρούνται με προσοχή μπορούν να οδηγηθούν εύκολα και να ελεγχθούν καλύτερα.
- g) **Χρησιμοποιείτε τα ηλεκτρικά εργαλεία, τα εξαρτήματα, τα χρησιμοποιήσιμα εργαλεία κτλ. σύμφωνα με τις παρούσες οδηγίες καθώς. Λαμβάνετε ταυτόχρονα υπόψη σας τις συνθήκες εργασίας και την υπό εκτέλεση εργασία.** Η χρήση του ηλεκτρικού εργαλείου για άλλες εκτός από τις προβλεπόμενες εργασίες μπορεί να δημιουργήσει επικίνδυνες καταστάσεις.
- 5) ΧΡΗΣΗ ΚΙ ΕΠΙΜΕΛΗΣ ΧΕΙΡΙΣΜΟΣ ΕΡΓΑΛΕΙΩΝ ΜΠΑΤΑΡΙΑΣ**
- a) **Φορτίζετε μόνο με φορτιστής που προβλπει ο κατασκευαστής.** Η φόρτιση με φορτιστής που δεν προορίζεται για τον υπό φόρτιση τύπο του μπλοκ μπαταρίας δημιουργεί κίνδυνο πυρκαγιάς.
- b) **Χρησιμοποιείτε τα ηλεκτρικά εργαλεία πάντοτε με τα προβλεπόμενα για αυτά μπλοκ μπαταρίας.** Η χρήση διαφορετικών μπλοκ μπαταρίας μπορεί να οδηγήσει σε τραυματισμούς ή πυρκαγιά.
- c) **Διαφυλάγετε τις μπαταρίες που δε χρησιμοποιείτε μακριά από μεταλλικά αντικείμενα, π.χ. από συνδετήρες χαρτιών, νομίσματα, κλειδιά, καρφιά, βίδες κι άλλα παρόμοια μικροαντικείμενα, τα οποία θα μπορούσαν να επιγεφυρώσουν τις διάφορες μεμονωμένες επαφές.** Μια επιγεφυρώση από μεταλλικά αντικείμενα μπορεί να προκαλπει βραχυκύκλωμα, σπινθηρισμό ή πυρκαγιά.

- d) **Υπό δυσμενείς συνθήκες λειτουργίας μπορεί να διαρρεύσουν υγρά από την μπαταρία. Αποφεύγετε κάθε επαφή με μια μη επαγνή μπαταρία. Σε περίπτωση ακούσιας επαφής με τα υγρά, ξεπλύντε αμσως με νερό την αντίστοιχη θησα επαφής.** Εκτός από αυτό, αν τα υγρά διεισδύουν στα μάτια σας, επισκεφτείτε χωρίς καθυστηρηση πνα γιατρό. Τα διαρρποντα υγρά των μπαταριών μπορεί να προκαλποουν ερεθισμούς ή και εγκαύματα.

6) SERVICE

- a) **Δίνετε το ηλεκτρικό σας εργαλείο για επισκευή από άριστα ειδικευμένο προσωπικό, μόνο με γνήσια ανταλλακτικά.** Έτσι εξασφαλίζεται η διατήρηση της ασφάλειας του ηλεκτρικού εργαλείου.

ΥΠΟΔΕΙΞΕΙΣ ΑΣΦΑΛΕΙΑΣ ΓΙΑ ΕΠΑΝΑΦΟΡΤΙΖΟΜΕΝΟ ΔΡΑΠΑΝΟΚΑΤΣΑΒΙΔΟ

- Προφυλάξετε το εργαλείο από τυχόν φθορές από ξένα σώματα (βίδες, καρφιά ή άλλα) που ίσως είναι μέσα στο κομμάτι που θα δουλέψετε - αφαιρέστε τα πριν αρχίσετε την εργασία
- Βεβαιωθείτε ότι η τάση του παρεχόμενου ρεύματος είναι ίδια με την τάση που υποδεικνύεται στην πινακίδα δεδομένων του φορτιστή (φορτιστές που φέρουν την ένδειξη 230V ή 240V μπορούν να συνδεθούν επίσης σε πρίζα 220V)
- Σε περίπτωση ηλεκτρικής ή μηχανικής κακής λειτουργίας, σταματήστε αμέσως το εργαλείο ή αποσυνδέστε τον φορτιστή από το δίκτυο ρεύματος
- Η SKIL εγγυάται την τέλεια λειτουργία του εργαλείου μόνο όταν χρησιμοποιούνται σωστά εξαρτήματα, τα οποία μπορείτε να προμηθευτείτε από το τοπικό κατάστημα διανομής εργαλείων SKIL
- Χρησιμοποιείτε μόνο εξαρτήματα των οποίων ο ύψιστος επιτρεπός αριθμός στροφών είναι τουλάχιστον τόσο υψηλός, όσο ο ύψιστος αριθμός στροφών χωρίς φορτίο του εργαλείου
- Αυτό το εργαλείο δεν πρέπει να χρησιμοποιείται από άτομα κάτω των 16 ετών
- **Στερεώστε το κομμάτι εργασίας** (το κομμάτι εργασίας συγκρατείται καλύτερα με σφιγκτήρες ή σε μέγγενη παρά με το χέρι)
- **Να κρατάτε το εργαλείο πάντοτε από τις μονωμένες επιφάνειες συγκράτησης όταν κατά τη διάρκεια των εργασιών που εκτελείτε υπάρχει κίνδυνος, το εξάρτημα να κόψει μη ορατές ηλεκτρικές γραμμές ή το ίδιο το καλώδιο του** (η επαφή με μια υπό τάση ευρισκόμενη ηλεκτρική γραμμή θέτει τα μεταλλικά τμήματα του μηχανήματος επίσης υπό τάση κι έτσι προκαλείται ηλεκτροπληξία)
- **Χρησιμοποιήστε κατάλληλες ανιχνευτικές συσκευές για να εντοπίσετε τυχόν αφανείς τροφοδοτικές γραμμές ή συμβουλευτείτε σχετικά τις επιχειρήσεις παραχής ενέργειας** (επαφή με ηλεκτρικές γραμμές μπορεί να οδηγήσει σε πυρκαγιά ή σε ηλεκτροπληξία - βλάβες σε αγωγούς φωταερίου (γαζιού) μπορεί να οδηγήσουν σε έκρηξη - η διείσδυση σ' ένα σωλήνα νερού προκαλεί υλικές ζημιές ή μπορεί να προκαλέσει ηλεκτροπληξία)

- **Μην κατεργάζεστε υλικά που περιέχουν αμιάντο** (το αμιάντο θεωρείται σαν καρκινογόνο υλικό)
- Η σκόνη από υλικά όπως μπιονιές που περιέχουν μόλυβδο, ορισμένα είδη ξύλου, ανόργανα στοιχεία και μέταλλα μπορεί να είναι επιβλαβής (η επαφή ή η εισπνοή της σκόνης μπορεί να προκαλέσει αλλεργικές αντιδράσεις ή/και αναπνευστικές ασθένειες στον χειριστή ή σε άτομα που παρίστανται) - **να φοράτε προσωπίδα προστασίας από τη σκόνη και να εργάζεστε με συσκευή αφαίρεσης σκόνης όταν είναι δυνατό**
- Ορισμένα είδη σκόνης ταξινομούνται ως καρκινογόνα (όπως η σκόνη από τη δρυ ή την οξιά) ιδιαίτερα σε συνδυασμό με πρόσθετα συντήρησης ξύλου - **να φοράτε προσωπίδα προστασίας από τη σκόνη και να εργάζεστε με συσκευή αφαίρεσης σκόνης όταν είναι δυνατό**
- Ακολουθήστε τις σχετικές με σκόνη εθνικές διατάξεις για τα υλικά που θέλετε να εργαστείτε
- Βεβαιωθείτε ότι ο διακόπτης F ② βρίσκεται στη μεσαία θέση (κλειδωμα), πριν διεξάγετε κάποια εργασία ρύθμισης στο εργαλείο ή αλλάξετε εξάρτημα όπως και όταν μεταφέρετε ή αποθηκεύσετε το εργαλείο

ΦΟΡΤΙΣΗ/ΜΠΑΤΑΡΙΣΣ

- Να φορτίζετε την μπαταρία μόνον με το φορτιστή που παραδίδεται μαζί με το εργαλείο
- Μην αγγίζετε τις επαφές μεσά στο φορτιστή
- Μην εκθέτετε το εργαλείο/φορτιστή/ την μπαταρία στη βροχή
- Να αποθηκεύετε το εργαλείο/τον φορτιστή/την μπαταρία σε μέρη όπου η θερμοκρασία δεν θα ξεπεράσει τους 40°C ή δεν θα πέσει κάτω από 0°C
- Οι μπαταρίες θα εκραγούν εάν γίνει απόρριψή τους σε φωτιά, γι' αυτό μην καίτε τις μπαταρίες για οποιοδήποτε λόγο
- Μην χρησιμοποιείτε τον φορτιστή όταν έχει βλάβη - δώστε το για έλεγχο σε ένα από τα εξουσιοδοτημένα συνεργεία της SKIL
- Μην χρησιμοποιείτε τον φορτιστή εάν το καλώδιο ή η πρίζα έχουν φθορά; το καλώδιο ή η πρίζα θα πρέπει να αντικατασθούν αμέσως σε ένα από τα εξουσιοδοτημένα συνεργεία της SKIL
- Μην χρησιμοποιείτε την μπαταρία όταν έχει βλάβη; πρέπει να τη αλλάξετε αμέσως
- Μην αποσυναρμολογήσετε τον φορτιστή ή την μπαταρία
- Μην επιχειρήσετε να επαναφορτίσετε μπαταρίες, οι οποίες δεν επαναφορτίζονται, με το φορτιστή
- Επεξήγηση συμβόλων στο φορτιστή/μπαταρία
 - ③ Διαβάστε το εγχειρίδιο οδηγιών πριν από τη χρήση
 - ④ Να χρησιμοποιείτε το φορτιστή μόνο σε εσωτερικούς χώρους
 - ⑤ Διπλή μόνωση (δεν απαιτείται καλώδιο γείωσης)
 - ⑥ Η εσφαλμένη πολικότητα στη σύνδεση του φορτιστή μπορεί να αποτελέσει κίνδυνο (να φορτίζετε την μπαταρία μόνο με το φορτιστή που παρέχεται)

- ⑦ Μην πετάτε τον φορτιστή στον κάδο οικιακών απορριμμάτων
- ⑧ Μην πετάτε την μπαταρία στον κάδο οικιακών απορριμμάτων
- ⑨ Η τεχνολογία NiMH παρέχει περισσότερη ενέργεια κατά τρόπο που μολύνει λιγότερο το περιβάλλον

ΧΡΗΣΗ

- Πώς να φορτίσετε την μπαταρία ⑩
 - η μπαταρία των καινούργιων εργαλείων δεν είναι πλήρως φορτισμένη
 - συνδέστε τον φορτιστή με το δίκτυο ρεύματος
 - η λυχνία Β θα ανάψει
 - τοποθετήστε την μπαταρία στο φορτιστή
 - η λυχνία Β θα ανβοσβήσει δείχνοντας ότι η μπαταρία βρίσκειται σε φόρτιση (⑩a)
 - μετά από 2-3 ώρες η μπαταρία είναι πλήρως φορτισμένη, η λυχνία Β παραμένει σταθερά αναμμένη και η φόρτιση αυτοματως μετατρέπεται σε φόρτιση συντήρησης (⑩b)
 - ! **αφαιρέστε την μπαταρία από τον φορτιστή μετά από τελειώσει ο χρόνος φόρτισης ώστε να παρατείνετε τη διάρκεια ζωής για την μπαταρία**
- ΣΗΜΑΝΤΙΚΕΣ ΥΠΟΔΕΙΞΕΙΣ:**
- εάν η λυχνία Β δεν αναβοσβήνει όταν τοποθετήσετε την μπαταρία στον φορτιστή (⑩b), να σημαίνει:
 - 1) ότι η μπαταρία είναι πολυ κρύα ή πολύ ζέση (ο φορτιστής φορτίζει όταν η θερμοκρασία της μπαταρίας είναι μεταξύ 0°C και 45°C) - ο φορτιστής αυτοματα φυρίζει στην φόρτιση συντήρησης μέχρι η θερμοκρασία να φτάσει μεταξύ 0°C και 45°C, οποτε ο φορτιστής αυτοματως θα επιστρέψει στην απλόφόρτιση
 - 2) ότι η μπαταρία πρέπει να αντικατασταθεί
 - κατά τη φόρτιση, ο φορτιστής και η μπαταρία μπορεί να ζεσταθούν; αυτό είναι φυσιολογικό και δεν αποτελεί πρόβλημα
 - σιγουρευτείτε ότι η εξωτερική επιφάνεια της μπαταρίας είναι καθαρή και στεγνή, πριν την εισαγωγή της στον φορτιστή
 - μην φορτίζετε σε θερμοκρασίες κάτω από 0°C και πάνω από 40°C - αυτό θα προκαλέσει σοβαρή βλάβη στην μπαταρία και στον φορτιστή
 - να μην αφαιρέστε την μπαταρία από το εργαλείο όταν αυτό είναι σε λειτουργία
- ! **μια νέα μπαταρία ή μια μπαταρία που δε χρησιμοποιήθηκε για αρκετό καιρό αποκτά τη βέλτιστη απόδοση της μετά από 5 περίπου κύκλους φόρτισης/εκφόρτισης**
- να μην επαναφορτίζετε επανειλημμένα την μπαταρία μετά από μερικά μόνον λεπτά λειτουργίας; αυτό θα έχει σαν αποτέλεσμα να μειωθεί ο χρόνος λειτουργίας καθώς και η απόδοση της μπαταρίας

- η μπαταρία νικελίου-μετάλλου πρέπει να διαχωρίζονται από το φυσικό περιβάλλον και δεν πρέπει να πετιούνται μαζί με τα συνήθη οικιακά απορρίμματα (το σύμβολο ⑧ θα σας το θυμήσει αυτό όταν έλθει η ώρα να πετάξετε τις μπαταρίες αυτές)
 - ! **προτού πετάξετε τις μπαταρίες καλύψτε τις επαφές τους με μονωτική ταινία για να αποφύγετε τυχόν βραχυκυκλώματα**
 - για μακρές περιόδους που δεν χρησιμοποιείτε το εργαλείο, είναι καλύτερα να έχετε αποσυνδεδεμένο τον φορτιστή από το δίκτυο ρεύματος
 - Συνδισασμένος διακόπτης A ② για ξεκίνηση/σταμάτημα και έλεγχο ταχύτητας
Ρυθμίστε την ταχύτητα από τον μηδέν στο μέγιστο, πιέζοντας περισσότερο ή λιγότερο τη σκανδάλη
 - Αλλαγή της κατεύθυνσης περιστροφής ⑪
 - αν η διακόπτης A ② δεν είναι σωστά τοποθετημένη στη μία ή άλλη θέση δεν μπορεί να ενεργοποιηθεί
 - ! **αλλάξτε την κατεύθυνση περιστροφής μόνο όταν το εργαλείο είναι τελειώς σταματημένο**
 - Αλλαγή μύτων ⑫
 - τοποθετήστε τη μύτη όσο το δυνατόν βαθύτερα στο τσόκ
 - ! **μη χρησιμοποιείτε μύτη με φθαρμένο στέλεχος**
 - ! **χρησιμοποιείτε μόνο αιχμηρή μύτη**
 - Ελέγχος της ροπής στρέψης (VariTorque) ⑬
 - περιορίζει το ποσόν της ροπής στρέψης που αποδίδει το τσόκ (26 θέσεις του συμπλέκτη)
 - η αποδιδόμενη ροπή θα αυξάνεται όσο περιστρέφετε το δακτυλίδι C του συμπλέκτη από το 1 προς το 25 - η θέση D θα ασφαλίσει τον συμπλέκτη για να σας επιτρέψει να τρυπήσετε ή να κάνετε άλλες βαρείες εργασίες
 - όταν βιδώνετε μία βίδα δοκιμάστε πρώτα τη θέση ελέγχου ροπής 1 και αυξήστε μέχρι να φθάσετε στο επιθυμητό βάθος
 - Μηχανική επιλογή ταχυτήτων ⑬
 - ρυθμίστε τον διακόπτη E στην επιθυμητή ταχύτητα
 - ! **μεταβάλετε την ταχύτητα όταν το εργαλείο περιστρέφεται αργά**
- ΥΨΗΛΗ ΔΥΝΑΜΗ
- υψηλή ροπή στρέψης
 - για χρήση κατασβιδιούκας για διάτρηση μεγάλων διαμέτρων
 - για σπειρώματα
- ΥΨΗΛΗ ΤΑΧΥΤΗΤΑ
- χαμηλότερη ροπή στρέψης
 - για διάτρηση μικρών διαμέτρων
- Ενδεικτικό κατάστασης μπαταρίας ⑭
Δείχνει πόση ενέργεια έχει απομείνει στην μπαταρία
- Πώς να κρατάτε και να οδηγείτε το εργαλείο
 - κρατάτε τις σχισμές αερισμού H ② ακάλυπτες
 - μην ασκείτε υπέρμετρα πίεση στο εργαλείο, αφήστε το εργαλείο να δουλέψει για σας

ΟΔΗΓΙΩΣ ΕΦΑΡΜΟΓΗΣ

- Όταν κάνετε διάτρηση σε σιδηρούχα μέταλλα
 - προ-τρυπήστε μία τρύπα μικρότερη από την απαιτούμενη
 - λιπαίνετε τα εξαρτήματα του τρυπανιού τακτικά με λάδι
- Όταν έχετε να βιδώσετε μία βίδα στη γωνία ή σε άκρα ξύλου θα πρέπει πρώτα να τρυπήσετε με τρυπάνι για να αποφύγετε το "σκάσιμο" του ξύλου
- Για άριστη χρήση του εργαλείου σας απαιτείται σταθερή πίεση επάνω στη βίδα, ειδικά όταν αφαιρείτε βίδες
- Όταν βιδώνετε σε σκληρό ξύλο πρέπει πρώτα να έχετε κάνει μία ανάλογη τρύπα
- Επίπεδο κραδασμών
Το επίπεδο παραγωγής κραδασμών που αναγράφεται στο πίσω μέρος του παρόντος εγχειριδίου οδηγιών έχει μετρηθεί σύμφωνα με μια τυποποιημένη δοκιμή που αναφέρεται στο πρότυπο EN 60745 - μπορεί να χρησιμοποιηθεί για τη σύγκριση ενός εργαλείου με ένα άλλο, καθώς και ως προκαταρκτική αξιολόγηση της έκθεσης στους κραδασμούς όταν το εργαλείο χρησιμοποιείται για τις εφαρμογές που αναφέρονται
 - η χρήση του εργαλείου για διαφορετικές εφαρμογές ή με διαφορετικά ή κακοσυντηρημένα εξαρτήματα μπορεί να αυξήσει σημαντικά το επίπεδο έκθεσης
 - όταν το εργαλείο είναι απενεργοποιημένο ή δουλεύει αλλά δεν εκτελεί την εργασία, το επίπεδο έκθεσης μπορεί να μειωθεί σημαντικά
- ! **προστατευτείτε από τις επιδράσεις των κραδασμών συντηρώντας σωστά το εργαλείο και τα εξαρτήματά του, διατηρώντας τα χέρια σας ζεστά και οργανώνοντας τον τρόπο εργασίας σας**

ΣΥΝΤΗΡΗΣΗ / SERVICE

- Κρατήστε το εργαλείο σας και τον φορτιστή καθαρά
 - καθαρίζετε τις επαφές φόρτισης με οινόπνευμα ή ειδικό καθαριστικό
 - ! **αποσυνδέστε τον φορτιστή από το δίκτυο ρεύματος προτού καθαρίσετε**
- Αν παρ' όλες τις επιμελημένες μεθόδους κατασκευής κι ελέγχου το εργαλείο/φορτιστής σταματήσει κάποτε να λειτουργεί, τότε η επισκευή του πρέπει να ανατεθεί σ' ένα εξουσιοδοτημένο συνεργείο για ηλεκτρικά εργαλεία της SKIL
 - στείλτε το εργαλείο ή τον φορτιστή **χωρίς να το αποσυαρμολογήσετε** μαζί με την απόδειξη αγοράς και κατάστημα από το οποίο το αγοράσατε ή στον πλησιέστερο σταθμό τεχνικής εξυπηρέτησης της SKIL (θα βρείτε τις διευθύνσεις και το διάγραμμα συντήρησης του εργαλείου στην ιστοσελίδα www.skileurope.com)

ΠΕΡΙΒΑΛΛΟΝ

- Μην πετάτε τα ηλεκτρικά εργαλεία, εξαρτήματα και συσκευασία στον κάδο οικιακών απορριμμάτων (μόνο για τις χώρες της ΕΕ)
 - σύμφωνα με την ευρωπαϊκή οδηγία 2002/96/ΕΚ περί ηλεκτρικών και ηλεκτρονικών συσκευών και την ενσωμάτωσή της στο εθνικό δίκαιο, τα ηλεκτρικά εργαλεία πρέπει να συλλέγονται ξεχωριστά και να επιστρέφονται για ανακύκλωση με τρόπο φιλικό προς το περιβάλλον
 - το σύμβολο ⑦ θα σας το θυμίσει αυτό όταν έλθει η ώρα να πετάξετε τις

RO

Mașină de găurit/ 2502/2602/2702 înșurubat cu acumulatori

INTRODUCERE

- Această sculă este concepută pentru efectuarea de găuriri în lemn, metal, ceramică și mase plastice; sculele cu control electronic de viteză și rotație reversibilă sunt de asemenea adecvate pentru înșurubare și filetare
- Citiți și păstrați acest manual de instrucțiuni ③

CARACTERISTICI TEHNICE ①

ELEMENTELE SCULEI ②

- A Întrerupător deschis/închis și controlul vitezei
- B Indicator luminos (acumulator)
- C Inel pentru reglarea momentului
- D Poziție de fixare (cuplare)
- E Comutator de selecție trepte de turație
- F Întrerupător pentru schimbarea direcției de rotație
- G Mandrină rapidă
- H Fantele de ventilație
- J Încărcător

PROTECȚIE

INSTRUCȚIUNI DE PROTECȚIE GENERALE

⚠ ATENȚIE! Citiți toate indicațiile de avertizare și instrucțiunile. Nerespectarea indicațiilor de avertizare și a instrucțiunilor poate provoca electrocutare, incendii și/sau răni grave. **Păstrați toate indicațiile de avertizare și instrucțiunile în vederea utilizărilor viitoare.** Termenul de “sculă electrică” folosit în indicațiile de avertizare se referă la sculele electrice alimentate de la rețea (cu cablu de alimentare) și la sculele electrice cu acumulator (fără cablu de alimentare).

1) SIGURANȚA LA LOCUL DE MUNCĂ

- Păstrați-vă locul de muncă curat și bine iluminat.** Dezordinea la locul de muncă sau existența unor sectoare de lucru neiluminate poate duce la accidente.
- Nu folosiți mașina în medii cu pericol de explozie, acolo unde există lichide, gaze sau pulberi inflamabile.** Sculele electrice pot produce scânteii care să aprindă pulberile sau vaporii.
- Nu permiteți accesul copiilor și al altor persoane în timpul lucrului cu mașina.** Dacă vi se distrage atenția puteți pierde controlul asupra mașinii.

2) SECURITATE ELECTRICĂ

- Ștecherul de racordare a mașinii trebuie să se potrivească cu priza de alimentare. Nu este permisă în nici-un caz modificarea ștecherului. Nu folosiți adaptoare pentru ștechere la mașinile legate la pământ.** Ștecherele nemodificate și prizele de curent adecvate acestora reduc riscul de electrocutare.
- Evitați contactul corporal cu suprafețe legate la pământ ca țevi, radiatoare, plite electrice și frigider.** Există un risc crescut de electrocutare atunci când corpul dv. este și el legat la pământ.
- Nu lăsați mașina afară în ploaie sau în mediu umed.** Riscul de electrocutare crește atunci când într-o sculă electrică pătrunde apă.
- Nu trageți niciodată mașina de cordonul de alimentare pentru a o transporta, a o atârna sau a scoate ștecherul din priza de curent. Feriți cordonul de alimentare de căldură, ulei, muchi ascuțiți sau de subansamble aflate în mișcare.** Un cordon de alimentare deteriorat sau înfășurat mărește riscul de electrocutare.
- Atunci când lucrați cu scula electrică în aer liber, folosiți numai cordoane prelungitoare autorizate pentru exterior.** Întrebuițarea unui cordon prelungitor adecvat utilizării în aer liber reduce riscul de electrocutare.
- Atunci când nu poate fi evitată utilizarea sculei electrice în mediu umed, folosiți un întrerupător de circuit cu împământare.** Folosirea unei împământare reduce riscul de electrocutare.

3) SECURITATEA PERSOANELOR

- Fiți vigilenți, fiți atenți la ceea ce faceți și procedați rațional atunci când lucrați cu scula electrică. Nu folosiți mașina dacă sunteți obosiți sau vă aflați sub influența drogurilor, alcoolului sau a medicamentelor.** Un moment de neatenție în timpul lucrului cu mașina poate duce la răni grave.
- Purtați echipament de protecție personală și întotdeauna ochelari de protecție.** Folosirea echipamentelor de protecție a persoanei ca mască de protecție împotriva prafului, încălțăminte antiderapantă, cască de protecție sau aparat de protecție auditivă, în funcție de tipul și domeniul de folosire al sculei electrice, reduce riscul rănilor.

- c) **Evitați o punere în funcțiune involuntară.** Înainte de a introduce ștecherul în priză și/sau de a introduce acumulatorul în scula electrică, de a o ridica sau de a o transporta, asigurați-vă că aceasta este oprită. Dacă atunci când transportați scula electrică țineți degetul pe întrerupător sau dacă porniți scula electrică înainte de a o racorda la rețeaua de curent, puteți provoca accidente.
- d) **Înainte de a pune mașina în funcțiune scoateți afară cheile reglabile și fixe.** O cheie reglabilă sau fixă, aflată într-o componentă de mașină care se rotește, poate provoca răniri.
- e) **Nu vă supraapreciați. Asigurați-vă o poziție stabilă și păstrați-vă întotdeauna echilibrul.** Astfel veți putea controla mai bine mașina în situații neașteptate.
- f) **Purtați îmbrăcăminte de lucru adecvată. Nu purtați haine largi sau podoabe. Țineți părul, îmbrăcămintea și mănușile departe de componente aflate în mișcare.** Îmbrăcămintea largă, podoabele și părul lung pot fi prinse de piesele aflate în mișcare.
- g) **Dacă există posibilitatea montării de echipamente și instalații de aspirare și colectare a prafului, asigurați-vă că acestea sunt conectate și folosite corect.** Folosirea unei instalații de aspirare a prafului poate duce la reducerea poluării cu praf.

4) MANEVRAȚI ȘI FOLOȘIȚI CU GRIJĂ SCULELE ELECTRICE

- a) **Nu suprasolicitați mașina. Folosiți scula electrică destinată executării lucrării dumneavoastră.** Cu scula electrică potrivită lucrați mai bine și mai sigur în domeniul de putere specificat.
- b) **Nu folosiți scula electrică dacă are întrerupătorul defect.** O sculă electrică, care nu mai poate fi pornită sau oprită este periculoasă și trebuie reparată.
- c) **Scoateți ștecherul afară din priză și/sau îndepărtați acumulatorul, înainte de a executa reglaje, a schimba accesoriul sau de a pune mașina la o parte.** Această măsură preventivă reduce riscul unei porniri involuntare a mașinii.
- d) **În caz de nefolosire păstrați mașinile la loc inaccesibil copiilor. Nu permiteți persoanelor care nu sunt familiarizate cu mașina sau care n-au citit prezentele instrucțiuni, să folosească mașina.** Sculele electrice sunt periculoase atunci când sunt folosite de persoane fără experiență.
- e) **Întrețineți-vă cu grijă mașina. Controlați dacă componentele mobile funcționează corect și dacă nu se blochează, dacă nu există piese defecte sau deteriorate, care să afecteze funcționarea mașinii. Înainte de a repune în funcțiune mașina, duceți-o la un atelier de asistență service pentru repararea sau înlocuirea pieselor deteriorate.** Multe accidente s-au datorat întreținerii defectuoase a sculelor electrice.
- f) **Păstrați accesoriile bine ascuțite și curate.** Accesoriile atent întreținute, cu muchii tăietoare bine ascuțite se blochează mai greu și pot fi conduse mai ușor.

- g) **Folosiți sculele electrice, accesoriile, dispozitivele de lucru etc. conform prezentelor instrucțiuni. Țineți seama de condițiile de lucru și de lucrarea care trebuie executată.** Întrebuințarea unor scule electrice destinate altor utilizări decât cele preconizate, poate duce la situații periculoase.

5) MANEVRAȚI ȘI FOLOȘIȚI CU GRIJĂ SCULELE ELECTRICE CU ACUMULATOR

- a) **Folosiți pentru încărcarea acumulatorilor numai încărcătoarele recomandate de producător.** Dacă un încărcător destinat unui anumit tip de acumulator este folosit la încărcarea altor acumulatori există pericol de incendiu.
- b) **Folosiți la sculele electrice numai acumulatorii prevăzuți în acest scop.** Întrebuințarea altor acumulatori decât cei specificați poate duce la răniri și pericol de incendii.
- c) **Feriți acumulatorii nefolosiți de contactul cu agrafe de birou, monede, chei, cuie, șuruburi sau alte obiecte metalice mici, care pot produce o punte metalică între contactele acumulatorului.** Un scurtcircuit între poli de contact ai acumulatorului poate avea drept consecință arsuri sau incendii.
- d) **Ca urmare a folosirii necorespunzătoare, din acumulator se poate scurge lichid. Evitați contactul cu acesta. În caz de contact accidental, clătiți cu apă. Dacă lichidul vă intră în ochi, pe lângă măsurile aminite consultați și un medic.** Lichidul care se scurge din acumulator poate provoca iritarea pielii sau arsuri.

6) SERVICE

- a) **Permiteți repararea mașinii dumneavoastră numai de către un specialist calificat și numai cu piese de schimb originale.** În acest mod este garantată menținerea siguranței de exploatare a mașinii.

INSTRUCȚIUNI DE SIGURANȚĂ PENTRU MAȘINA DE GĂURIT/ȘURUBELNIȚA CU ACUMULATORI

- Evitați daunele provocate de șuruburi, ținte și alte elemente din timpul lucrului; înlăturați aceste elemente înainte de a trece la acțiune
- Asigurați-vă că încărcătorul are contactul întrerupt atunci când o conectați la priză (încărcătoarele 230 V si 240 V pot fi conectate la rețeaua de 220 V)
- În cazul unor defecțiuni electrice sau mecanice, imediat deconectați instrumentul sau scoateți încărcătorul de la sursa de energie
- SKIL garantează funcționarea perfectă a sculei electrice numai dacă sunt folosite accesoriile corecte, care pot fi obținute de la dealerul dumneavoastră de produse SKIL
- Folosiți numai accesoriile a căror turație admisă este cel puțin egală cu turația maximă la mers în gol a aparatului
- Această sculă nu trebuie să fie folosit de persoane sub 16 ani
- **Securizați piesa de lucru** (o piesă de lucru fixată cu clame sau într-o menghină este ținută mult mai în siguranță decât manual)

- **Apucați mașina numai de mânerul izolat atunci când executați lucrări la care accesoriul ar putea nimeri conductorii ascunși sau propriul cablu de alimentare al mașinii** (contactul cu un conductor sub tensiune determină punerea sub tensiune a componentelor metalice ale mașinii și duce la electrocutare)
- **Folosiți detectoare adecvate pentru depistarea conductelor și conductorilor de alimentare sau apelați în acest scop la întreprinderea locală de furnizare a utilităților** (contactul cu conductorii electrici poate provoca incendii sau electrocutare; deteriorarea unei conducte de gaz poate duce la explozii; spargerea unei conducte de apă provoacă pagube materiale sau poate provoca electrocutare)
- **Nu prelucrați materiale care conțin azbest** (azbestul este considerat a fi cancerigen)
- Praful rezultat din materiale precum vopseaua care conține plumb, unele specii de lemn, minerale și metale poate fi periculos (contactul cu praful sau inhalarea acestuia poate provoca reacții alergice și/sau afecțiuni respiratorii operatorului sau persoanelor care stau în apropiere); **purtați o mască de praf și lucrați cu un dispozitiv de extragere a prafului când poate fi conectat**
- Anumite tipuri de praf sunt clasificate ca fiind cancerigene (cum ar fi praful de stejar și fag) în special în combinație cu aditivi pentru tratarea lemnului; **purtați o mască și lucrați cu un dispozitiv de extragere a prafului când poate fi conectat**
- Respectați reglementările naționale referitoare la aspirația prafului în funcție de materialele de lucru folosite
- Asigurați-vă că întrerupător F (2) este în poziția din mijloc (poziția de blocaj) înainte de a executa reglaje ale sculei electrice sau de a înlocui accesoriile precum și în cazul de transport sau depozitare a sculei electrice

ÎNCĂRCAREA/BATERIILOR

- Încărcați bateriile numai cu ajutorul încărcătorului furnizat împreună cu instrumentul
- Nu atingeți firele de contact al încărcătorului
- Nu expuneți la ploaie instrumentul/încărcătorul/bateria
- Păstrați instrumentul/încărcătorul/bateria la temperaturi cuprinse între 40° C și 0° C
- Bateriile vor exploda când sunt aruncate în foc, deci nu ardeți bateriile sub niciun motiv
- Nu folosiți încărcătorul dacă acesta este deteriorat, adresați-vă la una din Stațiile de Deservire SKIL – reprezentantul oficial înregistrat – pentru verificările de rigoare
- Nu folosiți încărcătorul dacă cablu sau fișa sînt deteriorate, adresați-vă la una din Stațiile de Deservire SKIL – reprezentantul oficial înregistrat – pentru verificările de rigoare
- Nu folosiți bateria dacă aceasta este avariată; ea trebuie înlocuită imediat
- Nu dezasamblați încărcătorul sau bateria
- Nu încercați să reîncarcați bateriile de unică folosință utilizând încărcătorul

- Explicația simbolurilor de pe încărcător/baterie
 - ③ Citiți manual de instrucțiuni înainte de utilizare
 - ④ Folosiți încărcătorul numai în interior
 - ⑤ Izolați dublă (nu este necesar fir de împământare)
 - ⑥ Polaritatea incorectă a conexiunii încărcătorului poate provoca un pericol (încărcați bateria numai cu încărcătorul furnizat)
 - ⑦ Nu aruncați încărcătorul direct la pubelele de gunoi
 - ⑧ Nu aruncați bateria direct la pubelele de gunoi
 - ⑨ Tehnologia NiMH oferă mai multă energie într-un mod mai puțin poluant pentru mediu

UTILIZAREA

- Încărcarea bateriilor (10)
 - bateriile instrumentelor noi nu sunt încărcate complet
 - introduceți încărcătorul în sursa de alimentare
 - se va aprinde indicatorul luminos B
 - introduceți bateria în încărcător
 - indicatorul luminos B va clipi indicînd că bateria se încarcă (10a)
 - după aproximativ 2-3 ore, bateria este complet încărcată iar indicatorul luminos B rămîne aprins, în timp ce încărcătorul comută automat pe încărcarea de întreținere (10b)

! scoateți bateria din încărcător după încărcare, acest lucru va mări termenul de funcționare a bateriei

IMPORTANT:

- dacă indicatorul luminos B nu clipește după introducerea bateriei (10b), aceasta înseamnă că:
 - 1) bateria este prea rece sau prea încinsă (încărcătorul încarcă doar baterii a căror temperatură este cuprinsă între 0°C și 45°C): încărcătorul comută automat în regim de încărcare de întreținere pînă cînd se ajunge la o temperatură cuprinsă între 0°C și 45°C, moment în care încărcătorul comută automat pe încărcarea normală
 - 2) bateria trebuie înlocuită
 - în timpul încărcării, încărcătorul și bateria pot să se încălzească; aceasta este normal și nu indică apariția vreunei probleme
 - înainte de introducerea bateriei în încărcător, asigurați-vă că suprafața exterioră a bateriei este curată și uscată
 - nu încărcați la temperaturi mai joase de 0°C și mai mari de 40°C, acest fapt a deteriora grav bateria și încărcătorul
 - nu scoateți bateria din instrument în timpul funcționării acestuia
- ! un bateria nou sau care nu a fost utilizat un timp mai îndelungat atinge capacitatea maximă numai după aproximativ 5 cicluri de încărcare/descărcare**
- nu reîncărcați bateria în repetate rînduri numai la câteva minute de funcționare, acest fapt poate duce la reducerea timpului de funcționare și eficienței bateriei

- bateriile de nichel-metalhidrid trebuie păstrate separat în mediul natural și nu trebuie considerate deșeuri domestice normale (simbolul ⑧) și va reaminti acest lucru)
 - ! **înainte aruncare protejați terminalele bateriei cu lentă protectoare pentru a preîntâmpina scurtcircuitul**
 - dacă nu veți utiliza instrumentul o perioadă mai îndelungată se recomandă să deconectați încărcătorul de la sursa de energie
 - Întrerupător combinat A ② pentru conectare/deconectare și dirijarea vitezei
Dirijați viteza de la 0 la maximum prin apăsare mai puternică sau mai slabă a butonului de pornire
 - Schimbarea direcției de rotație ⑪
 - dacă pârghia nu se așa în poziția corectă stânga/dreapta, întrerupător A ② nu va putea fi acționat
 - ! **schimbați direcția de rotație abia atunci când aparatul este complet oprit**
 - Înlocuirea biți ⑫
 - introduceți bitul mat adânc în mandrina
 - ! **nu folosiți biți cu coadă deteriorată**
 - ! **folosiți numai biți ascuțite**
 - Reglajul cuplului (VariTorque) ⑬
 - limitează randamentul cuplurilor de torsiune livrate de mandrina (26 poziții de cuplaj)
 - ale ambreajului randamentul cuplurilor de torsiune va spori în cazul în care inelul ambreajului C este scuit de la poziția 1 la 25, poziția D va bloca ambreajul pentru a permite găurirea unor porțiuni mai dificile
 - în cazul în care ați nimerit peste un șurub, încercați pentru început poziția 1 al VariTorque și apăsați până când veți obține adâncimea necesară
 - Selecție mecanică a treptelor de turație ⑬
 - setați comutatorul E la viteza dorită
 - ! **acționați comutatorul de selecție a treptelor de turație în timp ce scula funcționează lent**
- PUTERE MAXIMĂ**
- moment de rotație mare
 - pentru ghidarea șuruburilor și pentru găuriri de diametre mari
 - pentru realizarea de filete
- VITEZĂ MAXIMĂ**
- moment de rotație scăzut
 - pentru găuriri de diametre mai mici
- Indicator nivel încărcare acumulator ⑭
Arată câtă energie mai are acumulatorul până când este total descărcat
- Mănuirea și dirijarea sculei
 - mențineți fanțele de ventilație H ② neacoperite
 - nu exercitați prea multă presiune asupra aparatului; lăsați aparatul să funcționeze

SFATURI PENTRU UTILIZARE

- La găurirea în metale feroase
 - când este necesară găurirea la un diametru mare, efectuați întâi o găurire intermediară, la diametru mai mic
 - ungeți cu ulei din când în când burghiul

- Atunci când doriți să suciți un șurub la marginea, colțul, capătul lemnului, se recomandă să faceți o gaură cu instrumentul de găurit pentru a evita crăparea lemnului
- Pentru o utilizare optimă a instrumentului este necesară exercitarea unei presiuni constante asupra șurubului, în special la schimbare
- În cazul înșurubării într-un lemn tare se recomandă efectuarea în prealabil a unei găuri
- Nivelul vibrațiilor
Nivelul emisiilor de vibrații menționat pe spatele acestui manual de instrucțiuni a fost măsurat în conformitate cu un test standardizat precizat în EN 60745; poate fi folosit pentru a compara o sculă cu alta și ca evaluare preliminară a expunerii la vibrații atunci când folosiți scula pentru aplicațiile menționate
 - utilizarea sculei pentru aplicații diferite sau cu accesorii diferite și prost întreținute poate **crește** semnificativ nivelul de expunere
 - momentele în care scula este oprită sau când funcționează dar nu execută nicio lucrare, pot **reduce** semnificativ nivelul de expunere
- ! **protejați-vă împotriva efectelor vibrațiilor prin întreținerea sculei și a accesoriilor sale, păstrând mâinile calde și organizând procesele de lucru**

ÎNȚREȚINERE / SERVICE

- Păstrați instrumentul și încărcătorul curat
 - curățați cu alcool sau curățător de contacte contactele de încărcare al încărcătorului
 - ! **deconectați încărcătorul de la sursa de energie înainte de curățire**
- Dacă în ciuda procedeele de fabricație și control riguroase scula/încărcătorul are totuși o pană, repararea acesteia se va face numai la un atelier de asistență service autorizat pentru scule electrice SKIL
 - trimiteți scula sau încărcătorul **în totalitatea lui** cu bonul de cumpărare la dealer sau la centru de service SKIL cel mai apropiat (adrese și diagrame de service se găsească la www.skileurope.com)

MEDIUL

- **Nu aruncați sculele electrice, accesoriile sau ambalajele direct la pubelele de gunoi** (numai pentru țările din Comunitatea Europeană)
 - Directiva Europeană 2002/96/EC face referire la modul de aruncare a echipamentelor electrice și electronice și modul de aplicare a normelor în conformitate cu legislația națională; sculele electrice în momentul în care au atins un grad avansat de uzură și trebuiesc aruncate, ele trebuiesc colectate separat și reciclate într-un mod ce respectă normele de protecție a mediului înconjurător
 - simbolul ⑦ vă va reaminti acest lucru

Акумулаторен ударен/винтоверт

2502/2602/2702

УВОД

- Този инструмент е предназначен за пробиване на дърво, метал, керамика и пластмаса; за завинтване и нарязване на резба се предлагат инструменти с електронно регулиране на скоростта и ляво/дясно въртене
- Прочетете и пазете това ръководство за работа ③

ТЕХНИЧЕСКИ ПАРАМЕТРИ ①

ЕЛЕМЕНТИ НА ИНСТРУМЕНТА ②

- A Спусък за включване/изключване и регулиране на скоростта
- B Лампичка (зарядно устройство)
- C Пръстен за регулиране на въртящия момент
- D Позиция за заключено (съединяване)
- E Превключвател за предавките
- F Превключвател за обръщане на посоката на въртене
- G Бързозатягащ патронник
- H Вентилационните отвори
- J Зарядно устройство

БЕЗОПАСНОСТ

ОБЩИ ИНСТРУКЦИИ ЗА БЕЗОПАСНОСТ

⚠ ВНИМАНИЕ! Прочетете внимателно всички указания. Неспазването на приведените по долу указания може да доведе до токов удар, пожар и/или тежки травми. **Съхранявайте тези указания на сигурно място.** Използваният по-долу термин “електроинструмент” се отнася до захранвани от електрическата мрежа електроинструменти (със захранващ кабел) и до захранвани от акумулаторна батерия електроинструменти (без захранващ кабел).

1) БЕЗОПАСНОСТ НА РАБОТНОТО МЯСТО

- a) **Поддържайте работното си място чисто и подредено.** Безпорядъкът или недостатъчното осветление могат да спомогнат за възникването на трудова злополука.
- b) **Не работете с електроинструмента в среда с повишена опасност от възникване на експлозия, в близост до леснозапалими течности, газове или прахообразни материали.** По време на работа в електроинструментите се отделят искри, които могат да възпламенят прахообразни материали или пари.

- c) **Дръжте деца и странични лица на безопасно разстояние, докато работите с електроинструмента.** Ако вниманието Ви бъде отклонено, може да загубите контрола над електроинструмента.
- #### 2) БЕЗОПАСНОСТ ПРИ РАБОТА С ЕЛЕКТРИЧЕСКИ ТОК
- a) **Щепселът на електроинструмента трябва да е подходящ за ползвания контакт. В никакъв случай не се допуска изменение на конструкцията на щепсела. Когато работите със занулени електроуреди, не използвайте адаптери за щепсела.** Ползването на оригинални щепсели и контакти намалява риска от възникване на токов удар.
 - b) **Избягвайте допира на тялото Ви до заземени тела, напр. тръби, отоплителни уреди, печии и хладилници.** Когато тялото Ви е заземено, рискът от възникване на токов удар е по-голям.
 - c) **Предпазвайте електроинструмента си от дъжд и влага.** Проникването на вода в електроинструмента повишава опасността от токов удар.
 - d) **Не използвайте захранващия кабел за цели, за които той не е предвиден, напр. за да носите електроинструмента за кабела или да извадите щепсела от контакта. Предпазвайте кабела от нагриване, омасляване, допир до остри ръбове или до подвижни звена на машини.** Повредени или усукани кабели увеличават риска от възникване на токов удар.
 - e) **Когато работите с електроинструмент навън, използвайте само удължителни кабели, предназначени за работа на открито.** Използването на удължител, предназначен за работа на открито, намалява риска от възникване на токов удар.
 - f) **Ако се налага използването на електроинструмента във влажна среда, използвайте предпазен прекъсвач за утечни токове.** Използването на предпазен прекъсвач за утечни токове намалява опасността от възникване на токов удар.
- #### 3) БЕЗОПАСЕН НАЧИН НА РАБОТА
- a) **Бъдете концентрирани, следете внимателно действията си и постъпвайте предпазливо и разумно. Не използвайте електроинструмента, когато сте уморени или под влиянието на наркотични вещества, алкохол или упойващи лекарства.** Един миг разсеяност при работа с електроинструмент може да има за последствие изключително тежки наранявания.
 - b) **Работете с предпазващо работно облекло и винаги с предпазни очила.** Носенето на подходящи за ползвания електроинструмент и извършваната дейност лични предпазни средства, като дихателна маска, здрави плътнотатворени обувки със стабилен грайфер, защитна каска или шумозаглушители (антифони), намалява риска от възникване на трудова злополука.

- c) **Избягвайте опасността от включване на електроинструмента по невнимание. Преди да включите щепсела в захранващата мрежа или да поставите акумулаторната батерия, се уверявайте, че пусковият прекъсвач е в положение изключено.** Ако, когато носите електроинструмента, държите пръста си върху пусковия прекъсвач, или ако подавате захранващо напрежение на електроинструмента, когато е включен, съществува опасност от възникване на трудова злополука.
- d) **Преди да включите електроинструмента, се уверявайте, че сте отстранили от него всички помощни инструменти и гаечни ключове.** Помощен инструмент, забравен на въртящо се звено, може да причини травми.
- e) **Не надценявайте възможностите си. Работете в стабилно положение на тялото и във всеки момент поддържайте равновесие.** Така ще можете да контролирате електроинструмента по-добре и по-безопасно, ако възникне неочаквана ситуация.
- f) **Работете с подходящо облекло. Не работете с широки дрехи или украшения. Дръжте косата си, дрехите и ръкавици на безопасно разстояние от въртящи се звена на електроинструментите.** Широките дрехи, украшенията, дългите коси могат да бъдат захванати и увлечени от въртящи се звена.
- g) **Ако е възможно използването на външна аспирационна система, се уверявайте, че тя е включена и функционира изправно.** Използването на аспирационна система намалява рисковете, дължащи се на отделящата се при работа прах.
- 4) ВНИМАТЕЛНО ОТНОШЕНИЕ КЪМ ЕЛЕКТРОИНСТРУМЕНТИ**
- a) **Не претоварвайте електроинструмента. Използвайте електроинструментите само съобразно тяхното предназначение.** Ще работите по-добре и по-безопасно, когато използвате подходящия електроинструмент в зададения от производителя диапазон на натоварване.
- b) **Не използвайте електроинструмент, чиито пусков прекъсвач е повреден.** Електроинструмент, който не може да бъде изключван и включван по предвидения от производителя начин, е опасен и трябва да бъде ремонтиран.
- c) **Преди да променят настройките на електроинструмента, да заменят работни инструменти и допълнителни приспособления, както и когато продължително време няма да използват електроинструмента, изключвайте щепсела от захранващата мрежа и/или изваждайте акумулаторната батерия.** Тази мярка премахва опасността от задействане на електроинструмента по невнимание.
- d) **Съхранявайте електроинструментите на места, където не могат да бъдат достигнати от деца. Не допускайте те да бъдат използвани от лица, които не са запознати с начина на работа с тях и не са прочели тези инструкции.** Когато са в ръцете на неопитни потребители, електроинструментите могат да бъдат изключително опасни.
- e) **Поддържайте електроинструментите си грижливо. Проверявайте дали подвижните звена функционират безукорно, дали не заклинват, дали има счупени или повредени детайли, които нарушават или изменят функциите на електроинструмента. Преди да използвате електроинструмента, се погрижете повредените детайли да бъдат ремонтирани.** Много от трудовете злополуки се дължат на недобре поддържани електроинструменти и уреди.
- f) **Поддържайте режещите инструменти винаги добре заточени и чисти.** Добре поддържаните режещи инструменти с остри ръбове оказват по-малко съпротивление и се водят по-леко.
- g) **Използвайте електроинструментите, допълнителните приспособления, работните инструменти и т.н., съобразно инструкциите на производителя. С дейности и процедури, евентуално предписани от различни нормативни документи. Използването на електроинструменти за различни от предвидените от производителя приложения повишава опасността от възникване на трудова злополука.**
- 5) ВНИМАТЕЛНО ОТНОШЕНИЕ КЪМ АКУМУЛАТОРНИ ЕЛЕКТРОИНСТРУМЕНТИ**
- a) **За зареждането на акумулаторните батерии използвайте само зарядните устройства, препоръчвани от производителя.** Когато използвате зарядни устройства за зареждане на неподходящи акумулаторни батерии, съществува опасност от възникване на пожар.
- b) **За захранване на електроинструментите използвайте само предвидените за съответния модел акумулаторни батерии.** Използването на различни акумулаторни батерии може да предизвика трудова злополука и/или пожар.
- c) **Предпазвайте неизползваните акумулаторни батерии от контакт с големи или малки метални предмети, напр. кламери, монети, ключове, пирони, винтове и др.п., тъй като те могат да предизвикат късо съединение.** Последствията от късото съединение могат да бъдат изгаряния или пожар.
- d) **При неправилно използване на акумулаторна батерия от нея може да изтече електролит. Избягвайте контакта с него. Ако въпреки това на кожата Ви попадне електролит, изплакнете мястото Ви, обилно с вода. Ако електролит попадне в очите Ви, незабавно се обърнете за помощ към очен лекар. Електролитът може да предизвика изгаряния на кожата.**

6) ПОДДЪРЖАНЕ

- a) **Допускайте ремонтът на електроинструментите Ви да се извършва само от квалифицирани специалисти и само с използването на оригинални резервни части.** По този начин се гарантира съхраняване на безопасността на електроинструмента.

УКАЗАНИЯ ЗА БЕЗОПАСНА РАБОТА ЗА АКУМУЛАТОРЕН УДАР/ВИНТОВЕРТ

- Избягвайте повреди, които могат да бъдат причинени от винтове, гвоздеи и други метални елементи в обработвания детайл; отстранете ги преди да започнете работа
- При включване в контакта, се уверете, че инструментa е изключена (зарядни устройства с номинално напрежение 230V или 240V могат да бъдат включени и към захранване с напрежение 220V)
- При електрическа или механична повреда незабавно спрете електроинструмента или изключете зарядното устройство от захранващата мрежа
- SKIL може да осигури безаварийна работа на електроинструмента само ако се използват подходящите консумативи, които можете да намерите при оторизирани дистрибутори на SKIL
- Използвайте само принадлежности, чиято допустима скорост на въртене е по-голяма или равна на максималната скорост на въртене на празен ход на електроинструмента
- Машината не трябва да се използва от лица под 16 години
- **Обезопасете работния материал** (материал, затегнат в затагач инструмент или в менгеме е по-устойчив, отколкото ако се държи в ръка)
- **Ако изпълнявате дейности, при които съществува опасност работният инструмент да попадне на скрити проводници под напрежение или да засегне захранващия кабел, допирайте електроизолираните ръкохватки** (при влизане на работния инструмент в контакт с проводници под напрежение то се предава по металните детайли на електроинструмента и това може да доведе до токов удар)
- **За да откриете скрити под повърхността електро-, водо- и газопроводи, използвайте подходящи уреди или се обърнете към местното снабдително дружество** (прекъсването на електропроводници под напрежение може да предизвика пожар и/или токов удар; увреждането на газопровод може да предизвика експлозия; засягането на водопровод може да предизвика значителни материални щети и/или токов удар)
- **Не обработвайте азбестосъдържащ материал** (азбестът е канцерогенен)

- Прахът от някои материали, като например съдържаща олово боя, някои видове дървесина, минерали и метали може да бъде вреден (контакт или вдишване на такъв прах могат да причинят алергични реакции и/или респираторни заболявания на оператора или стоящите наблизо лица); **използвайте противопрахова маска и работете с аспириращо прахта устройство, когато такава може да бъде свързано**
- Определени видове прах са класифицирани като карциногенни (като прах от дъб и бук) особено когато са комбинирани с добавки за подобряване на състоянието на дървесината; **използвайте противопрахова маска и работете с аспириращо прахта устройство, когато такава може да бъде свързано**
- Следвайте дефинираните по БДС изисквания относно запрашеността за материалите, които желаете да обработвате
- Убедете се че ключа F ② е в средно (блокирано) положение, преди да направите каквито и да релгажи или смени на консумативите или когато транспортирате или прибирате инструментa

ЗАРЕЖДАНЕ/БАТЕРИИ

- Зареждането на батерията трябва да се извършва само с помощта на зарядното устройство, включено в окомплектовката на електроинструмента
- Не докосвайте контактите в зарядното устройство
- Не излагайте на дъжд електроинструмента/ зарядното устройство/батерията
- Съхранявайте електроинструмента/зарядното устройство/батерията в помещения при температури, не по-високи от 40°C и не по-ниски от 0°C
- Хвърлен в огън, акумулаторът ще експлодира, така че не изгаряйте акумулатора по каквато и да е причина
- Не използвайте повредено зарядно устройство; занесете го в някой от оторизирани сервиси на SKIL за проверка
- Не използвайте зарядното устройство при повреден кабел или щепсел; повреденият кабел или щепсел трябва незабавно да бъде подменен в някой от оторизирани сервиси на SKIL
- Не използвайте неизправна батерия; незабавно я заменете
- Не разглобявайте зарядното устройство или батерията
- Не правете опит за зареждане със зарядното устройство на батерии, които не могат да бъдат презареждани
- Обяснение на символите на зарядното устройство/ акумулатора
 - ③ Преди употреба прочетете ръководството с указания
 - ④ Използвайте зарядното устройство само в закрити помещения
 - ⑤ Двойна изолация (не се изисква кабел за заземяване)

- ⑥ Неправилно свързване на полюсите на зарядното устройство може да доведе до злополука (зареждайте акумулатора само с предоставеното зарядно устройство)
- ⑦ Не изхвърляйте зарядното устройство заедно с битови отпадъци
- ⑧ Не изхвърляйте батерията заедно с битови отпадъци
- ⑨ NiMH (никел-метал-хидрид) технологията осигурява повече енергия по по-малко замърсяващ околната среда път

УПОТРЕБА

- Зареждане на батерията ⑩
 - батерията на новозакупени електроинструменти не е напълно заредена
 - поставете зарядното устройство в захранващата мрежа
 - лампичката В ще се включи
 - поставете батерията в зарядното устройство
 - лампичката В ще започне да мига, което показва, че батерията се зарежда (⑩а)
 - след около 2-3 часа батерията е напълно заредена и лампичката В остава включена след мигането, през което време зарядното устройство автоматично се превключва на поддържащо зареждане (⑩b)
- ! **извадете батерията от зарядното устройство след приклучване на зареждането; по този начин ще удължите експлоатационния срок на батерията**

ВАЖНО:

- ако лампичката В не мига след поставяне на батерия (⑩b), това може да означава:
 - 1) че батерията е твърде студена или твърде гореща (зарядното устройство зарежда батери само когато температурата им е между 0°C и 45°C); тогава зарядното устройство автоматично се превключва на поддържащо зареждане, докато бъде достигната температура между 0°C и 45°C, когато се превключва на нормално зареждане
 - 2) че батерията трябва да се замени
- през време на зареждане зарядното устройство и батерията могат да бъдат горещи при докосване: това е нормално и не показва проблем
- преди да поставите батерията в зарядното устройство, се уверете, че външната ѝ повърхност е чиста и суха
- не зареждайте батерията при температури, по-ниски от 0°C и по-високи от 40°C; това ще повреди сериозно както батерията, така и зарядното устройство
- не демонтирайте батерията от електроинструмента, докато е включен
- ! **нова или продължително време неизползвана батерията достига пълния си капацитет едва след приблизително 5 цикъла на зареждане/разреждане**

- не зареждайте повторно батерията само след няколко минути работа; това може да доведе до съкращаване на продължителността на работа и ефективността на батерията

- никел-металхидридните батерии трябва да се съхраняват в затворени помещения и не трябва да бъдат изхвърляни с битовите отпадъци (за това указва символът ⑧)

! **преди да изхвърлите батерията, защитете изводите ѝ с дебела лепенка, за да няма опасност от възникване на късо съединение**

- ако предполагате, че електроинструментът няма да бъде използван продължително време, е най-добре да изключите зарядното устройство от захранващата мрежа

- Комбиниран бутон А ② за вклрчване / изклрчване и управление на скоростта
Управлението на скоростта от нула до максималната стойност се извършва като натискате прекъсвача по-силно или по-слабо

- Обръщане на посоката на въртене ⑪

- ако лостът не е точно в положение включване/изключване, спусъкът А ② не може да бъде активиран

! **обръщайте посоката на въртене само когато електроинструментът е напълно спрял**

- Смяна на бит ⑫
 - поставете бита колкото е възможно по-навътре в патронника

! **не използвайте бит с повредена опашка**

! **използвайте само остри бит**

- Управление на въртящия момент (VariTorque) ⑬

- ограничава изходния въртящ момент на патронника (26 муфа положения)

- изходният въртящ момент ще се увеличи при завъртане на пръстена С на патронника от 1 до 25; в позиция D съединителят се блокира за пробиване и завиване при тежки условия

- при завиване на винт първо опитайте позиция 1 на съединителя VariTorque и след това увеличете въртящия момент, докато достигнете желаната дълбочина

- Механичен редуктор ⑭

- поставете превключвателя Е на желаната скорост

! **задействайте превключвателя за предавките, когато инструментът работи бавно**

ВИСОКА МОЩНОСТ

- голям въртящ момент

- като отвертка и за пробиване на големи диаметри

- за нарязване на резба

ВИСОКА СКОРОСТ

- по-малък въртящ момент

- за пробиване на малки диаметри

- Индикатор за капацитета на акумулатора ⑮
Информира за остатъчния капацитет на акумулатора

- Държане и насочване на инструмента
 - оставяйте вентилационните отвори Н ② непокрити
 - не прилагайте твърде голям натиск върху електроинструмента; нека той да свърши работата вместо вас

УКАЗАНИЯ ЗА РАБОТА

- При пробиване на цветни метали
 - ако ви трябва голям отвор, първо пробийте малък
 - от време на време смазвайте свредлата с машинно масло
- При завиване на винт в близост до ръба на дървен детайл първо пробийте отвор, за да избегнете откъртане на дървото
- За оптимална работа на електроинструмента е необходим постоянен натиск върху винта, включително при развиване
- При завиване на винтове в твърдо дърво първо пробийте отвор
- Ниво на вибрации
Нивото на предадените вибрации, отбелязано на гърба на това ръководство за експлоатация е измерено в съответствие със стандартизирания тест, определен в EN 60745; то може да се използва за сравнение на един инструмент с друг и като предварителна оценка на подлагането на вибрации при използването на инструмента за посочените приложения
 - използването на инструмента за различни от тези приложения или с други, или лошо поддържани аксесоари може значително **да повиши** нивото на което сте подложени
 - периодите от време, когато инструмента е изключен или съответно включен, но с него не се работи в момента могат значително **да намалят** нивото на което сте подложени
- ! **предпазвайте се от ефектите от вибрациите, като поддържате инструмента и аксесоарите му, пазете ръцете си топли и организирате вашите модели на работа**

ПОДДРЪЖКА / СЕРВИЗ

- Поддържайте електроинструмента и зарядното устройство чисти
 - почистете контактите на зарядното устройство с алкохол или препарат за почистване на контакти
- ! **преди почистване изключете зарядното устройство от захранващата мрежа**
- Ако въпреки прецизното производство и внимателно изпитване възникне повреда, инструмента/зарядното устройство да се занесе за ремонт в оторизиран сервиз за електроинструменти на SKIL

- занесете инструмента или зарядното устройство в неразглобен вид заедно с доказателство за покупката му в търговския обект, откъдето сте го закупили, или в най-близкия сервиз на SKIL (адресите, както и схемата за сервизно обслужване на електроинструмента, можете да намерите на адрес www.skileurope.com)

ОПАЗВАНЕ НА ОКОЛНАТА СРЕДА

- **Не изхвърляйте електроуредите, приспособленията и опаковките заедно с битови отпадъци** (само за страни от ЕС)
 - съобразно Директивата на ЕС 2002/96/EG относно износени електрически и електронни уреди и отразяването ѝ в националното законодателство износените електроуреди следва да се събират отделно и да се предават за рециклиране според изискванията за опазване на околната среда
 - за това указва символът ⑦ тогава когато трябва да бъдат унищожени

SK

Akumulátorový vrtací 2502/2602/2702 skrutkovač

ÚVOD

- Tento nástroj je určený pre vrtanie do dreva, kovu, keramických materiálov a plastov; nástroje s elektronickým reguláciou rýchlosti s rotáciou doprava/ doľava sú tiež vhodné na skrutkovanie a rezanie závitov
- Prečítajte a uschovajte tento návod na použitie ③

TECHNICKÉ ŠPECIFIKÁCIE ①

ČASTI NÁSTROJA ②

- A Prepínač zapnúť/vypnúť a regulácia rýchlosti
- B Kontrolka (nabíjačka)
- C Krúžok na riadenie krútiaceho momentu
- D Zaistená poloha (spojky)
- E Prepínač rýchlostných stupňov
- F Prepínač na zmenu smeru otáčania
- G Rýchloupínacie sklúčidlo
- H Vetracie štrbiny
- J Nabíjačka

BEZPEČNOSŤ

VŠEOBECNÉ BEZPEČNOSTNÉ POKYNY

⚠️ POZOR! Prečítajte si všetky výstražné upozornenia a bezpečnostné pokyny. Zanedbanie dodržiavania výstražných upozornení a pokynov uvedených v nasledujúcom texte môže mať za následok zásah elektrickým prúdom, spôsobiť požiar a/alebo ťažké poranenie. **Tieto výstražné upozornenia a bezpečnostné pokyny starostlivo uschovajte na budúce použitie.** Pojem ručné "elektrické náradie" používaný v nasledujúcom texte sa vzťahuje na ručné elektrické náradie napájané zo siete (s prírodnou šnúrou) a na ručné elektrické náradie napájané akumulátorovou batériou (bez prírodnej šnúry).

1) BEZPEČNOSŤ NA PRACOVISKU

- Udržiavajte svoje pracovisko čisté a upratané.** Neporiadok na pracovisku alebo neosvetlené časti pracoviska môžu viesť k úrazom.
- Nepracujte elektrickým náradím v prostredí ohrozenom výbuchom, v ktorom sa nachádzajú horľavé kvapaliny, plyny alebo prach.** Elektrické náradie produkuje iskry, ktoré môžu prach alebo pary zapáliť.
- Deti a iné osoby udržiavajte počas práce od ručného elektrického náradia v dostatočnej vzdialenosti.** V prípade odpuťania Vašej pozornosti by ste mohli stratiť kontrolu nad náradím.

2) ELEKTRICKÁ BEZPEČNOSŤ

- Zástrčka prírodnej šnúry sa musí hodiť do napájacej zásuvky. Zástrčka sa v žiadnom prípade nesmie meniť. Pri uzemnených spotrebičoch nepoužívajte spolu s nimi žiadne adaptéry.** Nezmenená zástrčka a vhodná zásuvka znižujú riziko zásahu elektrickým prúdom.
- Vyhýbajte sa telesnému kontaktu s povrchovými plochami uzemnených spotrebičov, ako sú elektrické rúry, vyhrievacie telesá, sporáky a chladničky.** Keď je Vaše telo uzemnené, riziko zásahu elektrickým prúdom je vyššie.
- Chráňte ručné elektrické náradie pred dažďom a vlhkom.** Vniknutie vody do ručného elektrického náradia zvyšuje riziko zásahu elektrickým prúdom.
- Nepoužívajte prírodnú šnúru na prenášanie náradia, na jeho vešanie, ani za ňu nevyťahujte zástrčku zo zásuvky. Prírodnú šnúru chráňte pred horúčavou, olejom, ostrými hranami alebo pohybujúcimi sa časťami náradia.** Poškodené alebo zauzlené šnúry zvyšujú riziko zásahu elektrickým prúdom.
- Ak pracujete s ručným elektrickým náradím vonku, používajte len také predĺžovacie šnúry, ktoré sú schválené pre používanie vo vonkajších priestoroch.** Použitie predĺžovacej šnúry určenej do vonkajšieho prostredia znižuje riziko zásahu elektrickým prúdom.

f) **Ak sa nedá vyhnúť použitiu ručného elektrického náradia vo vlhkom prostredí, použite prerušovač uzemňovacieho obvodu.** Používanie prerušovača uzemňovacieho obvodu znižuje riziko zásahu elektrickým prúdom.

3) BEZPEČNOSŤ OSÔB

- Buďte pozorní, dávajte pozor na to, čo robíte a k práci s elektrickým náradím pristupujte rozumne. Nepoužívajte elektrické náradie, keď ste unavení alebo keď ste pod vplyvom drog, alkoholu alebo liekov.** Chvíľa nepozornosti pri používaní náradia môže viesť k vážnym poraneniam.
 - Noste osobné ochranné pomôcky, ochranný odev a vždy majte nasadené ochranné okuliare.** Nosenie pracovného odevu a používanie ochranných pomôcok ako ochrannej dýchacej masky, bezpečnostných protišmykových topánok, prilby alebo chrániča sluchu, podľa druhu elektrického náradia, znižuje riziko poranenia.
 - Vyhýbajte sa neúmyselnému uvedeniu ručného elektrického náradia do činnosti. Pred zasunutím zástrčky do zásuvky a/alebo pred pripojením akumulátora, pred chytením alebo prenášaním ručného elektrického náradia sa vždy presvedčte sa, či je ručné elektrické náradie vypnuté.** Ak budete mať pri prenášaní ručného elektrického náradia prst na vypínači, alebo ak ručné elektrické náradie pripojíte na elektrickú sieť zapnutú, môže to mať za následok nehodu.
 - Skôr ako ručné elektrické náradie zapnete, odstráňte nastavovacie a montážne nástroje.** Nástroj alebo kľúč, ktorý sa nachádza v pohyblivej časti náradia, môže spôsobiť poranenie.
 - Nepreceňujte sa. Zabezpečte si pevný postoj a neprestajne udržiavajte rovnováhu.** Takto budete môcť ručné elektrické náradie v neočakávaných situáciách lepšie kontrolovať.
 - Pri práci noste vhodný pracovný odev. Nenoste široké odevy a nemajte na sebe šperky. Dbajte na to, aby ste mali vlasy, odev a rukavice v dostatočnej vzdialenosti od pohybujúcich sa častí náradia.** Pohybujúce sa časti náradia by mohli zachytiť voľné oblečenie, šperky alebo dlhé vlasy.
 - Ak možno namontovať zariadenie na odsávanie alebo zachytávanie prachu, presvedčte sa, či je pripojené a správne používané.** Použitie odsávacieho zariadenia a zariadenia na zachytávanie prachu znižuje riziko ohrozenia zdravia prachom.
- ### 4) STAROSTLIVÉ ZAOBCHÁDZANIE S ELEKTRICKÝM NÁRADÍM A JEHO POUŽÍVANIE
- Náradie nepreťažujte. Pre svoju prácu používajte určené elektrické náradie.** Pomocou vhodného ručného elektrického náradia budete môcť v uvedenom rozsahu výkonu pracovať lepšie a bezpečnejšie.
 - Nepoužívajte žiadne ručné elektrické náradie, ktoré má pokazený vypínač.** Ručné elektrické náradie, ktoré sa už nedá zapínať alebo vypínať, je nebezpečné a treba ho dať opraviť.

- c) **Skôr ako začnete náradie nastavovať alebo prestavovať, vymieňať príslušenstvo alebo skôr, ako odložíte náradie, vždy vyťahnite zástrčku sieťovej šnúry zo zásuvky.** Toto bezpečnostné opatrenie zabraňuje neúmyselnému spusteniu náradia.
- d) **Nepoužívané ručné elektrické náradie uschovávajúte mimo dosahu detí. Nedopustíte, aby ručné elektrické náradie používali osoby, ktoré s ním nie sú dôkladne oboznámené, alebo ktoré si neprečítali tento Návod na používanie.** Ak ručné elektrické náradie používajú neskúsené osoby, stáva sa nebezpečným nástrojom.
- e) **Elektrické náradie starostlivo ošetríte. Skontrolujte, či pohyblivé súčiastky náradia bezchybne fungujú a neblokujú a či nie sú zlomené alebo poškodené niektoré súčiastky, ktoré by mohli negatívne ovplyvniť fungovanie ručného elektrického náradia. Pred použitím ručného elektrického náradia dajte poškodené súčiastky opraviť.** Nejednen úraz bol spôsobený zle udržiavaným náradím.
- f) **Používané nástroje udržiavajte ostré a čisté.** Starostlivo ošetrované nástroje s ostrými reznými hranami sa menej často zablokujú a ich vedenie je podstatne ľahšie.
- g) **Používajte ručné elektrické náradie, príslušenstvo, pracovné nástroje a pod. podľa týchto pokynov. Zohľadnite prítom konkrétne pracovné podmienky a činnosť, ktorú máte vykonať.** Použitie ručného elektrického náradia na iné ako určené účely môže viesť k nebezpečným situáciám.
- 5) **STAROSTLIVÉ ZAOBCHÁDZANIE S ELEKTRICKÝM NÁRADÍM NAPÁJANÝM AKUMULÁTOROM A JEHO POUŽÍVANIE**
- a) **Akumulátory nabíjajte len v takých nabíjačkách, ktoré odporúča výrobca.** Ak nabíjate nabíjačkou určenou pre určitý druh akumulátorov iné akumulátory, hrozí nebezpečenstvo požiaru.
- b) **Do ručného elektrického náradia používajte len určené akumulátory.** Používanie iných akumulátorov môže mať za následok poranenie, alebo môže spôsobiť vznik požiaru.
- c) **Keď akumulátor nepoužívate, zabezpečte, aby sa nemohol dostať do styku s kancelárskymi sponami, mincami, kľúčmi, klincami, skrutkami alebo inými drobnými predmetmi, ktoré by mohli spôsobiť premostenie kontaktov.** Skrat medzi kontaktní akumulátora môže spôsobiť popáleniny alebo požiar.
- d) **Ak sa akumulátor používa nevhodne, môže z neho uniknúť kvapalina. Vyhnajte sa kontaktu s ňou. V prípade náhodného kontaktu umyte postihnuté miesto vodou. Ak sa dostane akumulátorová kvapalina do očí, vyhľadajte okrem toho aj lekársku pomoc.** Vytekajúca kvapalina môže spôsobiť podráždenie pokožky alebo popáleniny.
- 6) **SERVIS**
- a) **Ručné elektrické náradie zverte do opravy len kvalifikovanému personálu a používajte len originálne náhradné súčiastky.** Tým sa zabezpečí zachovanie bezpečnosti ručného elektrického náradia.

BEZPEČNOSTNÉ POKYNY PRE AKUMULÁTOROVÝ VŔTACÍ SKRUTKOVÁČ

- Zabráňte poškodeniu náradia skrutkami, klincami a inými kovovými predmetmi v obrobku; zoberte ich dole prv než začnete pracovať
- Vždy skontrolujte či je napätie elektrického prúdu rovnaké ako napätie na štítku nabíjačky (nabíjačka s menovaným napätím 230V alebo 240V sa môže napojiť aj na 220V-ový prúd)
- V prípade elektrickej alebo mechanickej poruchy okamžite nástroje vypnite, alebo vyťahnite nabíjačku zo zásuvky
- SKIL zabezpečí bezchybný chod nástroja len ak sa používa správne príslušenstvo, ktoré môžete získať od vášho diera SKIL
- Používajte iba príslušenstvo, u ktorého hodnota prípustných obrátok zodpovedá minimálne najvyšším obrátkam náradia
- Tento nástroj by nemali používať osoby mladšie ako 16 rokov
- **Zaistite obrábaný diel** (obrábaný diel uchytенý pomocou upinacích zariadení alebo vo zveráku je oveľa bezpečnejší kým v ruke)
- **Elektrické náradie držte za izolované plochy rukovätí pri vykonávaní takej práce, pri ktorej by mohol nástroj natrafiť na skryté elektrické vedenia alebo zasiahnuť vlastnú prívodnú šnúru náradia** (kontakt s vedením, ktoré je pod napätím, spôsobí, že aj kovové súčiastky náradia sa dostanú pod napätie, čo má za následok zásah elektrickým prúdom)
- **Na vyhľadanie skrytých elektrických vedení, plynových a vodovodných potrubí použite vhodné hľadacie prístroje, alebo sa spojte s príslušným dodávateľom** (kontakt s elektrickým vedením môže mať za následok vznik požiaru alebo spôsobiť zásah elektrickým prúdom; poškodenie plynového potrubia môže spôsobiť výbuch; škvíranie vodovodného potrubia spôsobí vecné škody, alebo môže spôsobiť zásah elektrickým prúdom)
- **Neobrábajte materiál, ktorý obsahuje azbest** (azbest sa považuje za rakovinotvorný materiál)
- Prach z materiálu, akým je náter obsahujúci olovo, niektoré druhy dreva, minerály a kovy môže byť škodlivý (styk alebo nadýchanie prachu môže spôsobiť alergické reakcie a/alebo respiračné ochorenia obsluhu a okolostojacich osôb); **používajte ochrannú masku tváre a pracujte so zariadením na odsávanie prachu, ak je takéto zariadenie možné pripojiť**
- Určité druhy prachu sú klasifikované ako karcinogénne (akým dubový a bukový prach), a to hlavne v spojení s prísadami pre úpravu dreva; **používajte ochrannú masku tváre a pracujte so zariadením na odsávanie prachu, ak je takéto zariadenie možné pripojiť**
- Dodržujte stanovené nariadenia pre prácu v prašnom prostredí
- Zabezpečte, aby vypínač F ② bol v strednej (uzamknutej) polohe skôr ako budete nástroje nastavovať alebo meniť príslušenstvo ako aj pred nesením alebo každým odložením nástroja

NABÍJANIE/BATÉRIÍ

- Batériu nabíjajte iba pomocou nabíjačky, ktorá sa dodáva s nástrojom
- Nedotýkajte sa kontaktov na nabíjačke
- Nástroj, nabíjačku a batériu nevystavujte dažďu
- Nástroj, nabíjačku a batériu skladujte na miestach, kde teplota neprekročí 40°C alebo neklesne pod 0°C
- Batérie po vzhodení do ohňa vybuchnú a preto batériu zo žiadneho dôvodu do ohňa nevhadzujte
- Nabíjačku nepoužívajte, keď je poškodená; na kontrolu bezpečnosti ju prineste do jednej z oficiálne registrovaných servisných staníc firmy SKIL
- Nabíjačku nepoužívajte, keď je poškodená šnúra alebo zástrčka; šnúra alebo zástrčka by sa mala okamžite vymeniť v niektorej z oficiálne registrovaných servisných staníc firmy SKIL
- Nepoužívajte batériu, keď je poškodená; mala by sa okamžite vymeniť
- Nabíjačku alebo batériu nedemontujte
- Nepokúšajte sa dobíjať nenabíjateľné batérie pomocou nabíjačky
- Vysvetlenie symbolov na nabíjačke/batérii
 - ③ Pred použitím si prečítajte návod na obsluhu
 - ④ Nabíjačku používajte iba vo vnútri
 - ⑤ Dvojité izolácia (nevyžaduje sa uzemňovací kábel)
 - ⑥ Nesprávna polarita pripojenia nabíjačky môže spôsobiť vznik nebezpečenstva (batériu nabíjajte iba pomocou dodávanej nabíjačky)
 - ⑦ Nabíjačku nevyhadzujte do komunálneho odpadu
 - ⑧ Batériu nevyhadzujte do komunálneho odpadu
 - ⑨ Technológia NiMH poskytuje väčší výkon a menej znečisťuje životné prostredie

POUŽITIE

- Nabíjanie batérie ⑩
 - batéria nového nástroja nie je plne nabitá
 - zapojte nabíjačku do zásuvky
 - kontrolka B sa rozsvieti
 - vložte batériu do nabíjačky
 - kontrolka B začne blikať indikujúc, že sa batéria nabíja (⑩a)
 - približne po 2-3 hodinách je batéria plne nabitá, kontrolka B prestane blikať a zostane svietiť, vtedy sa nabíjačka automaticky prepne na údržbové nabíjanie (⑩b)
- ! **po skončení nabíjacej doby baterku vyberte z nabíjačky, čím predĺžite životnosť batérie**
- DŮLEŽITÁ POZNÁMKA:
 - ak kontrolka B po vložení batérie (⑩b), nezačne blikať, môže to znamenať:
 - 1) že batéria je príliš studená alebo príliš horúca (nabíjačka batérie nabíja, iba ak je ich teplota medzi 0°C a 45°C); nabíjačka sa potom automaticky prepne na údržbové nabíjanie, dokiaľ sa teplota nedostane do rozmedzia medzi 0°C a 45°C; vtedy sa nabíjačka automaticky prepne na normálne nabíjanie
 - 2) že je potrebné batériu vymeniť

- pri nabíjaní sa nabíjačka aj batéria môžu zahriať tak, že sú na dotyk teplé; toto je normálne a neoznačuje to žiadny problém
 - zabezpečte, aby vonkajší povrch batérie bol pred zasunutím do nabíjačky čistý a suchý
 - nenabíjajte pri teplotách pod 0°C a nad 40°C; toto vážne poškodí batériu aj nabíjačku
 - batéria nevyberajte z nástroja, keď beží
 - ! **batériu, ktorý je nový, alebo sa dlhší čas nepoužíval, dosiahne plný výkon až po približne 5 nabíjajúcich/vybíjajúcich cykloch**
 - batériu opakovane nedobíjajte iba po niekoľkých minútach prevádzky; toto môže viesť k zníženiu prevádzkového času a účinnosti batérie
 - nikel-metalhydrid batéria sa musí uchovávať oddelene od prírodného prostredia a nemala by sa likvidovať ako normálny domáci odpad (pripomenie vám to symbol ⑨, keď ju bude treba likvidovať)
 - ! **pred likvidáciou ochráňte vývody batérie hrubou páskou, aby ste zabránili skratu**
 - ak predpokladáte dlhú dobu nepoužívania nástroja, najlepšie je nabíjačku vytiahnuť zo zásuvky
 - Kombinovaný prepínač A ② pre zapínanie a vypínanie a reguláciu rýchlosti
 - Rýchlosť regulujte neprerušene od 0 do maxima tým, že vyvíjate menší alebo väčší tlak na spínač
 - Zmena smeru otáčania ⑪
 - ak nie je správne nastavená v polohe vľavo/vpravo, spínač A ② sa nedá aktivovať
 - ! **zmeňte smer otáčania len keď je nástroj úplne nečinný**
 - Ako vymeniť hroty ⑫
 - vložte hrot čo najhlbšie do upínacieho vretena
 - ! **nepoužívajte hroty s poškodenou stopkou**
 - ! **používajte len ostré hroty**
 - Riadenie krútiaceho momentu (VariTorque) ⑬
 - obmedzuje veľkosť výstupného momentu, ktorý dáva skľučovadlo (26 nastavení spojka)
 - výstupný moment bude rásť, keď sa krúžok skľučovadla C otáča od 1 po 25; poloha D skľučovadla zaistí, aby umožnila víťanie alebo pohon pri veľmi tvrdom obrobnku
 - keď zaťahujete skrutku, najprv sa pokúste s polohou skľučovadla VariTorque 1 a zvyšujte to, kým sa nedosiahne požadovaná hľbka
 - Mechanické prepínanie rýchlostných stupňov ⑭
 - nastavte prepínač E na požadovanú rýchlosť
 - ! **s prepínačom rýchlostných stupňov manipulujte, keď sa náradie otáča pomaly**
- ### VYSOKÝ VÝKON
- vysoké momenty
 - pre skrútkovanie a víťanie veľkých priemerov
 - pre rezanie vnútorných závitov
- ### VYSOKÁ RÝCHLOSŤ
- nízke momenty
 - na víťanie malých priemerov
- Indikátor nabitia akumulátora ⑮
 - Udáva aktuálny stav nabitia akumulátora

- Držanie a vedenie nástroja
 - vetracie štrbiny H ② udržiajte nezakryté
 - na nástroj prilíh' netlačte; nechajte nástroj robiť prácu za Vás

RADU NA POUŽITIE

- Vítanie železných kovov
 - keď je treba vyvrtáť väčšiu dieru, najskôr predvrtajte menšiu dieru
 - natrite vítacie hroty z času na čas olejom
- Pri zaťahovaní skrutky v blízkosti rezu alebo na hrane dreva by sa mala predvrtáť diera, aby sa zabránilo prasknutiu dreva
- Pre optimálne použitie nástroja sa vyžaduje rovnomerný tlak na skrutku, hlavne pri vyberaní
- Pri zaskrutkovaní do tvrdého dreva by sa mala predvrtáť diera
- Hladina vibrácií
Hladina emisií od vibrácií uvedená na zadnej strane tohto návodu na obsluhu bola nameraná v súlade s normalizovaným testom uvedeným v norme EN 60745; môže sa používať na vzájomné porovnanie náradí a na predbežné posúdenie vystavenia účinkom vibrácií pri používaní náradia pre uvedené aplikácie
 - používanie náradia na rôzne aplikácie, alebo v spojení s rôznymi alebo nedostatočne udržiavanými doplnkami môže značne **zvýšiť** úroveň vystavenia
 - časové doby počas ktorých je je náradie vypnuté alebo počas ktorých náradie beží ale v skutočnosti nevykonáva prácu môžu značne **znižit'** úroveň vystavenia
- ! **chráňte sa pred účinkami vibrácií tak, že budete náradie a jeho príslušenstvo správne udržiavať, tak že nebudete pracovať so studenými rukami a tak že si svoje pracovné postupy správne zorganizujete**

ÚDRŽBA / SERVIS

- Nástroj a nabíjačku uchovávajte čisté
 - nabíjacie kontakty v nabíjačke čistite pomocou alkoholu alebo čistiaceho prostriedku na kontakty
- ! **pred čistením nabíjačku vyťahnite zo zásuvky**
- Ak by nástroj/nabíjačka napriek starostlivej výrobe a kontrole predsa len prestal niekedy fungovať, treba dať opravu vykonať autorizovanej servisnej opravovni elektrického náradia SKIL
 - pošlite nástroj alebo nabíjačku bez rozmontovania spolu s dôkazom o kúpe; vášmu dilerovi alebo do najbližšieho servisného strediska SKIL (zoznam adries servisných stredísk a servisný diagram nástroja sú uvedené na www.skileurope.com)

ŽIVOTNÉ PROSTREDIE

- Elektrické náradie, príslušenstvo a balenia **nevhadzujte do komunálneho odpadu** (len pre štáty EÚ)

- podľa európskej smernice 2002/96/EG o nakladaní s použitými elektrickými a elektronickými zariadeniami a zodpovedajúcich ustanovení právnych predpisov jednotlivých krajín sa použité elektrické náradie musí zbierať oddelene od ostatného odpadu a podrobiť ekologicky šetrnej recyklácii
- pripomenie vám to symbol ⑦, keď ju bude treba likvidovať

HR

Akumulatorska bušilica/odvijač

2502/2602/2702

UVOD

- Alat je predviđen za bušenje u drvo, metal, keramiku i plastiku; uređaj s elektronskom regulacijom broja okretaja i hodom desno/lijevo prikladan je i za uvijanje vijaka i narezivanje navoja
- Pažljivo pročitajte i sačuvajte ove upute za rukovanje ③

TEHNIČKI PODACI ①

DIJELOVI ALATA ②

- A Prekidač za uključivanje/isključivanje i za kontrolu brzine
- B Lampica (punjač)
- C Prsten za odabir zakretnog momenta
- D Položaj-zaključano (stezna glava)
- E Prekidač za biranje brzina
- F Prekidač za promjenu smjera rotacije
- G Brzostezna glava
- H Otvori za strujanje zraka
- J Punjač

SIGURNOST

OPĆE SIGURNOSNE UPUTE

⚠ PAŽNJA! Treba pročitati sve napomene o sigurnosti i upute. Ako se ne bi poštivala napomene o sigurnosti i upute to bi moglo uzrokovati strujni udar, požar i/ili teške ozljede. **Sačuvajte sve napomene o sigurnosti i upute za buduću primjenu.** U daljnjem tekstu korišten pojam "električni alat" odnosi se na električne alate s priključkom na električnu mrežu (s mrežnim kabelom) i na električne alate s napajanjem iz aku baterije (bez mrežnog kabela).

1) SIGURNOST NA RADNOM MJESTU

- Vaše radno područje održavajte čisto i uredno.**
Nered ili neosvijetljeno radno područje mogu doći do nezgoda.
- S uređajem ne radite u okolini ugroženoj eksplozijom, u kojoj se nalaze zapaljive tekućine, plinovi ili prašina.** Električni alati proizvode iskre koje mogu zapaliti prašinu ili pare.

- c) **Djecu i ostale osobe držite dalje tijekom korištenja električnog alata.** Ako bi skrenuli pozornost sa posla mogli bi izgubiti kontrolu nad uređajem.
- 2) ELEKTRIČNA SIGURNOST**
- a) **Priključni utikač uređaja treba odgovarati utičnici. Na utikaču se ni u kojem slučaju ne smiju izvoditi izmjene. Ne koristite adapterske utikače zajedno sa uređajima koji su zaštićeni uzemljenjem.** Originalni utikač i odgovarajuće utičnice smanjuju opasnost od električnog udara.
- b) **Izbjegavajte dodir tijela s uzemljenim površinama kao što su cijevi, centralno grijanje, štednjaci i hladnjaci.** Postoji povećana opasnost od električnog udara ako je vaše tijelo uzemljeno.
- c) **Držite uređaj dalje od kiše ili vlage.** Prodiranje vode u električni uređaj povećava opasnost od električnog udara.
- d) **Priključni kabel ne koristite za nošenje, vješanje ili za izvlačenje utikača iz utičnice. Držite kabel dalje od izvora topline, ulja, oštrih rubova ili pomičnih dijelova uređaja.** Oštećen ili usukan kabel povećava opasnost od električnog udara.
- e) **Ako s električnim uređajem radite na otvorenom, koristite samo produžni kabel odobren za uporabu na otvorenom.** Primjena produžnog kabela prikladnog za uporabu na otvorenom smanjuje opasnost od električnog udara.
- f) **Ako se ne može izbjeći uporaba električnog alata u vlažnoj okolini, upotrijebite sigurnosna sklopka za propuštanje u zemlju.** Upotrebom sigurnosne sklopke za propuštanje u zemlju smanjuje se opasnost od električnog udara.
- 3) SIGURNOST LJUDI**
- a) **Budite oprezni, pazite što činite i postupajte razumno kod rada s električnim alatom. Ne koristite uređaj ako ste umorni ili pod utjecajem opojnih sredstava, alkohola ili lijekova.** Trenutak nepažnje kod uporabe uređaja može doći do ozbiljnih ozljeda.
- b) **Nosite sredstva osobne zaštite i uvijek zaštitne naočale.** Nošenje sredstava osobne zaštite, kao što je zaštitna maska, sigurnosne cipele koje ne klize, zaštitne kacige ili štitnika za sluh, ovisno od vrste i primjene električnog alata, smanjuje opasnost od nezgoda.
- c) **Izbjegavajte nehotično puštanje u rad. Prije nego što ćete utaknuti utikač u utičnicu i/ili staviti aku-bateriju, provjerite je li električni alat isključen.** Ako kod nošenja električnog alata imate prst na prekidaču ili se uključen uređaj priključi na električno napajanje, to može dovesti do nezgoda.
- d) **Prije nego što uređaj uključite, uklonite alate za podešavanje ili vijčane ključeve.** Alat ili ključ koji se nalazi u rotirajućem dijelu uređaja može doći do nezgoda.
- e) **Ne prepuštajte svoje sposobnosti. Zauzmite siguran i stabilan položaj tijela i držite u svakom trenutku ravnotežu.** Na taj način možete uređaj bolje kontrolirati u neočekivanim situacijama.
- f) **Nosite prikladnu odjeću. Ne nosite široku odjeću ili nakit. Neka vaša kosa, odjeća i rukavice budu što dalje od pomičnih dijelova.** Mlohavu odjeću, nakit ili dugu kosu mogu zahvatiti pomični dijelovi uređaja.
- g) **Ako se mogu montirati naprave za usisavanje i hvatanje prašine, provjerite da li su iste priključene i da li se pravilno koriste.** Primjena naprave za usisavanje može smanjiti ugroženost od prašine.
- 4) BRIŽLJIVA UPORABA ELEKTRIČNIH ALATA**
- a) **Ne preopterećujte uređaj. Koristite za vaše radove za to predviđen električni alat.** S odgovarajućim električnim alatom radit ćete bolje i sigurnije, u navedenom području učinka.
- b) **Ne koristite električni alat čiji je prekidač neispravan.** Električni alat koji se više ne može uključiti ili isključiti, opasan je i treba se popraviti.
- c) **Izvučite utikač iz mrežne utičnice i/ili izvadite aku-bateriju prije podešavanja uređaja, zamjene pribora ili odlaganja uređaja.** Ovim mjerama opreza spriječit će se nehotično pokretanje uređaja.
- d) **Nekorištene električne alate spremite izvan doseg djece. Ne dopustite da uređaj koriste osobe koje s njim nisu upoznate ili koje nisu pročitale upute za uporabu.** Električni alati su opasni ako ih koriste neiskusne osobe.
- e) **Uređaj održavajte s pažnjom. Kontrolirajte da li pomični dijelovi uređaja besprijeekorno rade i da nisu zaglavljivi, te da li su dijelovi polomljeni ili tako oštećeni da negativno djeluju na funkciju uređaja. Popravite oštećene dijelove prije uporabe uređaja.** Mnoge nezgode imaju svoj uzrok u loše održanim uređajima.
- f) **Rezne alate održavajte oštrim i čistim.** Pažljivo održavani rezni alati s oštrim oštricama neće se zaglaviti i lakši su za vođenje.
- g) **Koristite električne alate, pribor, radne alate, itd., prema navedenim uputama. Pri tome uzmite u obzir radne uvjete i radove koje se izvode.** Uporaba električnih alata za neke druge primjene različite od predviđenih, može doći do opasnih situacija.
- 5) BRIŽLJIVA UPORABA AKUMULATORSKIH UREĐAJA**
- a) **Aku-baterije punite samo s punjačima koje preporučuje proizvođač.** Punjač koji je prikladan za jednu određenu vrstu aku-baterije, postoji opasnost od požara ako bi se koristio s nekom drugom aku-baterijom.
- b) **Koristite isključivo samo aku-baterije koje su za određene električne alate predviđene.** Uporaba neke druge aku-baterije može doći do ozljeda i opasnosti od požara.
- c) **Nekorištenu aku-bateriju držite dalje od uredskih spajalica, kovanica, ključeva, čavala, vijaka ili drugih sitnih metalnih predmeta koji bi mogli prouzročiti premošćenje, kontakata.** Kratki spoj između kontakata aku-baterije može doći do opekline ili do požara.

- d) **Kod pogrešne primjene aku-baterije tekućina može iz nje isteći. Izbjegavajte dodir s ovom tekućinom. Kod slučajnog dodira s tekućinom, odmah s vodom isprati. Ako bi tekućina dospjela u oči, odmah zatražite liječničku pomoć.** Istekla tekućina može doći do nadražaja kože ili opekline.

6) SERVIS

- a) **Popravak uređaja prepustite samo kvalificiranom stručnom osoblju i samo s originalnim rezervnim dijelovima.** Na taj će se način postići održanje stalne sigurnosti uređaja.

UPUTE ZA SIGURAN RAD ZA AKUMULATORSKI BUŠILICA/ODVIJAČIMA

- Izbjegavajte oštećenja od vijaka, čavala i sličnih predmeta na vašem izratku; prije početka rada ih izvadite
- Uvijek provjerite napon naveden na tipskoj pločici punjača (punjači predviđeni za napone 230 V ili 240 V mogu se priključiti i na napajanje 220 V)
- U slučaju neuobičajenog ponašanja uređaja ili neobičnih šumova, uređaj treba odmah isključiti i izvući utikač iz mrežne utičnice
- SKIL može osigurati besprijekoran rad uređaja samo ako se koristi odgovarajući pribor, koji se može dobiti u specijaliziranoj trgovačkoj mreži ili kod ovlaštenog distributera SKIL proizvoda
- Uputrebljavajte pribor čija dopuštena brzina odgovara najvećoj brzini alata u praznom hodu
- Uređaj ne bi smjele koristiti osobe mlađe od 16 godina
- **Osigurajte izradak** (izradak je sigurnije pričvršćen pomoću stezaljke ili škripa nego da ga držite rukom)
- **Uređaj držite samo na izoliranim ručkama, ako izvodite radove kod kojih bi pribor mogao zahvatiti skrivene električne vodove ili vlastiti priključni kabel** (vodovi pod naponom stavljaju metalne dijelove električnog alata pod napon, što bi dovelo do električnog udara)
- **Koristite prikladne uređaje za traženje napona kako bi se pronašli skriveni napojni vodovi ili se savjetuje s lokalnim distributerom** (kontakt s električnim vodovima mogao bi doći do požara i električnog udara; oštećenje plinske cijevi moglo bi dovesti do eksplozije; probijanje vodovodne cijevi uzrokuje materijalne štete ili može uzrokovati električni udar)
- **Ne obrađujte materijal koji sadrži azbest** (azbest se smatra kancerogenim)
- Prašina od materijala kao što su boje koje sadrže olovo, neke vrste drveća, minerali i metal mogu biti opasne (dodir s prašinom ili njeno udisanje mogu prouzročiti alergične reakcije i/ili respiratorna oboljenja rukovatelja ili posmatrača); **nosite masku za zaštitu od prašine i radite s uređajem za ekstrakciju prašine ukoliko ga možete priključiti**
- Određene vrste prašine klasificiraju se kao karcinogenske (kao što su prašina hrastovine i bukovine), osobito u sudejstvu s aditivima za kondicioniranje drveta; **nosite masku za zaštitu od prašine i radite s uređajem za ekstrakciju prašine ukoliko ga možete priključiti**

- Nacionalni uvjeti za materijale s kojima želite raditi
- Priilikom promjene pribora, prenošenja ili spremanja alata obavezno prekidač F ② postaviti u srednju poziciju (zaključano)

PUNJENJE/AKU-BATERIJE

- Bateriju puniti isključivo preko isporučenog punjača
- Ne dirati kontakte u punjaču
- Uređaj/punjač/bateriju nikada ne izlagati djelovanju kiše
- Uređaj/punjač/bateriju spremajte uvijek kod temperatura prostorije nižih od 40°C i viših od 0°C
- U dodiru s vatrom baterije će eksplodirati, stoga ne spaljujte bateriju iz bilo kojih razloga
- Oštećene punjače ne puštati u rad; u tu svrhu uređaj i punjač treba predati u ovlaštenu SKIL servis
- Punjač ne koristiti dalje ako je oštećen kabel ili utikač, nego odmah u ovlaštenom servisu zamijeniti ili mrežni utikač
- Oštećenu bateriju ne koristiti dalje nego je odmah zamijeniti
- Punjač ili bateriju nikada ne rastavljate niti zamjenjujete
- Ne pokušavajte punjačem puniti baterije koje nisu predviđene za punjenje
- Pojašnjenje simbola na punjaču/bateriji
 - ③ Prije upotrebe pročitajte korisnički priručnik
 - ④ Punjač koristite samo u zatvorenom prostoru
 - ⑤ Dvostruka izolacija (dozamna žica nije potrebna)
 - ⑥ Krivi polaritet spoja punjača može uzrokovati problem (punite bateriju samo pomoću punjača koji ste dobili s aparatom)
 - ⑦ Punjač ne bacajte u kućni otpad
 - ⑧ Bateriju ne bacajte u kućni otpad
 - ⑨ NiMH tehnologija daje više energije na način koji manje zagađuje okoliš

POSLUŽIVANJE

- Punjenje aku-baterije ⑩
 - aku-baterije novih uređaja nisu potpuno napunjene
 - punjač priključiti na mrežni napon
 - upalit će se lampica B
 - bateriju uvući u punjač
 - lampica B trepti, čime se pokazuje punjenje ⑩a)
 - nakon oko 2-3 sata punjenja, baterija je potpuno napunjena i treptavi lampica B će zatim stalno pokazivati, nakon čega se punjač automatski prespaja na "punjenje za održanje" ⑩b)
 - ! **baterija se nakon završenog postupka punjenja treba izvaditi iz punjača, na koji će se način produžiti vijek trajanja baterije**
- VAŽNO:
- ukoliko lampica B nakon stavljanja baterije ne trepti ⑩b), to može značiti slijedeće:
 - 1) da je baterija previše hladna ili previše topla (punjenje je moguće samo kod temperatura baterije između 0°C i 45°C); punjač će se zatim automatski prespojiti na "punjenje za održanje", sve dok se ne dosegne temperatura između 0°C i 45°C, a zatim se punjač automatski prebacuje na normalno punjenje
 - 2) da se baterija mora zamijeniti

- pri punjenju se punjač i baterija zagriju; to je normalno i ne predstavlja nikakav problem
 - vanjske površine baterije trebaju biti suhe i čiste, prije nego što se baterija stavi u punjač
 - kod temperatura nižih od 0°C i viših od 40°C treba izbjegavati punjenje; time se može oštetiti punjač i aku-baterija
 - baterija se ne smije vaditi tijekom rada uređaja
 - ! **nova aku-baterija ili ona koja se nije dulje vrijeme koristila, dati će svoj puni učinak otprilike nakon 5 ciklusa punjenja/praznjenja**
 - aku-baterija se ne smije ponavljano puniti nakon svakog kratkog rada; to može rezultirati skraćanjem njenog vijeka trajanja i smanjenjem učinkovitosti aku-baterije
 - nikal-metalhidridna aku-baterija treba se propisno zbrinuti u otpad i ne smije se baciti u kućni otpad (na to podsjeća simbol ⑧)
 - ! **prije nego što aku-bateriju zbrinete u otpad, zaštitite njene polove**
 - ako uređaj nećete dulje vrijeme koristiti, izvucite mrežni utikač punjača iz utičnice
 - Kombinirani prekidač A ② za uključivanje/isključivanje i kontrolu brzine
Većim ili manjim pritiskom na prekidač, brzina se može bestupnjevito regulirati od nule do maksimalnog broja okretaja
 - Promjena smjera rotacije ⑩
 - ako položaj lijevo/desno nije ispravno preskočio, prekidač A ② se ne može aktivirati
 - ! **smjer rotacije mijenjati samo dok alat miruje**
 - Zamjena nastavaka ⑫
 - umetnuti nastavak što dublje u steznu glavu
 - ! **ne koristite nastavke s oštećenom drškom**
 - ! **koriste se samo oštri bitovi**
 - Kontrola zakretnog momenta (VariTorque) ⑬
 - ograničava zakretni moment na steznoj glavi (26 namještanja spojke)
 - zakretni moment će se povećati ukoliko se prsten spojke C okrene iz položaja 1 na 25; u položaju D će spojka blokirati, kako bi se izvršili teži radovi bušenja i uvijanja vijaka
 - kod uvijanja nekog vijka počnite najprije s VariTorque položajem 1 i povećavajte nakon toga polako do dosizanja željene dubine
 - Mehaničko biranje brzina ⑭
 - prekidač E namjestiti na željenu brzinu
 - ! **prekidač za biranje brzina pritisnite dok se uređaj polako okreće**
- VELIKA SNAGA
- veliki zakretni moment
 - za uvrćanje vijaka i bušenje rupa većih promjera
 - za rezanje navoja
- VELIKI BROJ OKRETAJA
- mali zakretni moment
 - za bušenje rupa manjih promjera
- Pokazivač stanja napunjenosti baterije ⑮
Pokazuje preostali kapacitet aku-baterije

- Držanje i vođenje uređaja
 - otvore za strujanje zraka H ② držite nepokriveno
 - ne djelujte prevelikim pritiskom na uređaj; ostavite uređaju da radi za vas

SAVJETI ZA PRIMJENU

- Kod bušenja metala
 - prebušiti manju rupu ako se buši velika rupa
 - nastavke po potrebi namazati uljem
- Kod uvijanja vijka na prednjem ili stražnjem dijelu nekog izratka od drvca, treba se prethodno izbušiti rupa, kako bi se izbjeglo kаланje drvca
- Za optimalnu uporabu uređaja potreban je stalni pritisak na vijak, posebno tijekom odvijanja
- Kod uvijanja vijka u tvrdo drvo treba se prethodno izbušiti rupa
- Razina vibracija
Razina emitiranja vibracija navedena na poledini ovog naputka za uporabu izmjerena je sukladno normiranom testu danom u EN 60745; ona se može koristiti za usporedbu jedne alatke s drugom, te preliminarnu procjenu izloženosti vibracijama pri uporabi alatke za navedene namjene
 - uporaba ove alatke za druge namjene ili s drugim ili slabo održanim nastavcima, može u značajnoj mjeri **uvećati** razinu izloženosti
 - vrijeme tokom kojega je alatka isključena, ili je uključena ali se njome ne radi, može značajno **umanjiti** razinu izloženosti
- ! **zaštitite se od posljedica vibracija održavanjem alatke i njezinih nastavaka, održavanjem Vaših ruku toplima, te organiziranjem Vaših obrazaca rada**

ODRŽAVANJE / SERVISIRANJE

- Uređaj i punjač održavajte uvijek čistim
 - očistite kontakte punjača ili s alkoholom ili s čistačem kontakata
 - ! **prije čišćenja punjača treba izvući njegov mrežni utikač**
- Ako bi uređaj/punjač unatoč brižljivih postupaka izrade i ispitivanja ipak prestao raditi, popravak treba prepustiti ovlaštenom servisu za SKIL električne alate
 - uređaj ili punjač treba **nerastavljeno** predati, zajedno s računom o kupnji u najbližu SKIL ugovornu servisnu radionicu (popise servisa, kao i oznake rezervnih dijelova uređaja možete naći na adresi www.skileurope.com)

ZAŠTITA OKOLIŠA

- **Električne alate, pribor i ambalažu ne bacajte u kućni otpad** (samo za EU-države)
 - prema Europskoj direktivi 2002/96/EG o staroj električnoj i elektroničkoj opremi i njenoj primjeni u skladu sa nacionalnim zakonom, istrošeni električni alati moraju se sakupljati odvojeno i odvesti u posebne pogone za reciklažu
 - na to podsjeća simbol ⑦ kada se javi potreba za odlaganjem

Akumulatorska bušilica/uvrtač

2502/2602/2702

UPUTSTVO

- Alat je namenjen bušenju drveta, metala, keramike i plastike; alat sa automatskim regulisanjem obrtnog momenta i levim i desnim smerom obrtanja je takođe namenjen uvrtanju šrafova
- Pažljivo pročitajte i sačuvajte ova uputstva za rukovanje ③

TEHNIČKI PODACI ①

ELEMENTI ALATA ②

- A Prekidač za uključivanje/isključivanje i kontrolu brzine
- B Svetlo (punjač)
- C Prsten za kontrolu obrtnog momenta
- D Pozicija zaključavanja (spojnica)
- E Prekidač za biranje brzine
- F Prekidač za promenu smeru rotacije
- G Brzostezući futer
- H Prorezi za hlađenje
- J Punjač

BEZBEDNOST

TA UPUTSTVA ZA BEZBEDAN RAD

PAŽNJA! Čitajte sva upozorenja i uputstva.

Propusti kod pridržavanja upozorenja i uputstava mogu imati za posledicu električni udar, požar i/ili teške povrede.

Čuvajte sva upozorenja i uputstva za budućnost.

Pojam upotrebljen u upozorenjima "električni alat" odnosi se na električne alate sa radom na mreži (sa mrežnim kablom) i na električne alate sa radom na akumulator (bez mrežnog kabla).

1) SIGURNOST NA RADNOM MESTU

- a) **Držite Vaše područje rada čisto i pospremljeno.**
Nered ili neosvetljena radna područja mogu voditi nesrećama.
- b) **Ne radite sa aparatom u okolini ugroženoj od eksplozija u kojoj se nalaze zapaljive tečnosti, gasovi ili prašine.** Električni alati proizvode varnice, koje mogu zapaliti prašinu ili isparenja.
- c) **Za vreme korišćenja električnog alata držite podalje decu i druge osobe.** Kod skretanja možete izgubiti kontrolu nad aparatom.

2) ELEKTRIČNA SIGURNOST

- a) **Utikač za priključak aparata mora odgovarati utičnoj kutiji. Utikač se nesme nikako menjati. Ne upotrebljavajte adaptore utikača zajedno sa aparatima sa uzemljenom zaštitom.** Ne promenjeni utikači i odgovarajuće utičnice smanjuju rizik od električnog udara.

- b) **Izbegavajte telesni kontakt sa uzemljenim gornjim površinama, kao što su cevi, grejanja, šporeti i rashladni ormani.** Postoji povećani rizik od električnog udara, ako je Vaše telo uzemljeno.
- c) **Držite aparat podalje od kiše ili vlage.** Prodiranje vode u električni aparat povećava rizik od električnog udara.
- d) **Ne koristite kabl da bi aparat nosili, obesili ili ga izvlačili iz utičnice. Držite kabl dalje od vreline, ulja, oštrih ivica ili pokretnih delova aparata.** Oštećeni ili zamršeni kablovi povećavaju rizik od električnog udara.
- e) **Ako sa nekim električnim alatom radite u prirodi, upotrebljavajte samo produžne kablove koji su dozvoljeni za spoljno područje.** Upotreba produžnog kabla pogodnog za spoljno područje smanjuje rizik od električnog udara.
- f) **Ako rad električnog alata ne može da se izbegne u vlažnoj okolini, koristite prekidač strujne zaštite pri kvaru.** Upotreba prekidača strujne zaštite pri kvaru smanjuje rizik od električnog udara.

3) SIGURNOST OSOBA

- a) **Budite pažljivi, pazite na to, šta radite i idite razumno na posao sa električnim alatom. Ne upotrebljavajte aparat, kada ste umorni ili pod uticajem droga, alkohola ili lekova.** Momenti nepažnje kod upotrebe aparata može voditi do ozbiljnih povreda.
 - b) **Nosite ličnu zaštitnu opremu i uvek zaštitne naočare.** Nošenje lične zaštitne opreme, kao maske za prašinu, sigurnosne cipele koje ne klizaju, zaštitni šlem ili zaštitu za sluh, zavisno od vrste i upotrebe električnog alata, smanjujete rizik od povreda.
 - c) **Izbegavajte nenamerno puštanje u rad. Uverite se da je električni alat isključen, pre nego što ga priključite na struju i/ili na akumulator, uzmete ga ili nosite.** Ako prilikom nošenja električnog alata držite prst na prekidaču ili aparat uključen priključujete na struju, može ovo voditi nesrećama.
 - d) **Uklonite alate za podešavanje ili ključeve za zavrtnje, pre nego što uključite aparat.** Alat ili ključ koji se nalazi u delu aparata koji se okreće, može voditi povredama.
 - e) **Ne precegnjete sebe. Pobrinite se da sigurno stojite i održavajte u svako doba ravnotežu.** Na taj način možete bolje kontrolisati aparat u neočekivanim situacijama.
 - f) **Nosite pogodno odelo. Ne nosite široko odelo ili nakit. Držite kosu, odelo i rukavice podalje od pokretnih delova.** Opušteno odelo, nakit ili duža kosa mogu biti zahvaćeni od rotirajućih delova.
 - g) **Ako se mogu montirati uredjaji za usisavanje prašine i uredjaji za hvatanje prašine, uverite se da li su priključeni i ispravno koriste.** Upotreba usisavanja prašine može smanjiti opasnosti od prašine.
- #### 4) BRIŽLJIVO OPHODJENJE I KORIŠĆENJE ELEKTRIČNIH ALATA
- a) **Ne preopterećujte aparat. Upotrebljavajte za Vaš posao električni alat odredjen za to.** Sa odgovarajućim električnim alatom radićete bolje i sigurnije u navedenom području rada.

- b) **Ne upotrebljavajte električni alat, čiji je prekidač u kvaru.** Električni alat koji više ne može da se uključi ili isključi je opasan i mora da se popravi.
- c) **Izvcite utikač iz utičnice i/ili uklonite akumulator pre nego što preduzmete podešavanja na aparatu, promenu delova pribora ili ostavite aparat.** Ova mera opreza sprečava nenamerni start aparata.
- d) **Čuvajte nekorišćene električne alate izvan domašaja dece. Ne dopustite osobama da koriste aparat, koje ga ne poznaju ili nisu pročitali ova uputstva.** Električni alati su opasni, ako ih koriste neiskusne osobe.
- e) **Održavajte aparat brižljivo. Kontrolišite, da li pokretni delovi aparata funkcionišu besprekorno i ne slepljuju, da li su delovi slomljeni ili tako oštećeni, da je funkcija aparata oštećena. Popravite oštećene delove pre upotrebe aparata.** Mnoge nesreće imaju svoj uzrok u loše održanim električnim alatima.
- f) **Držite alate za sečenja oštre i čiste.** Brižljivo negovani alati za sečenje sa oštrim sečivima manje slepljuju i lakše se vode.
- g) **Upotrebljavajte električne alate, pribor, alate koji se umeću itd. prema ovim uputstvima. Obratite pažnju pritom na uputstva za rad i posao koji treba izvesti.** Upotreba električnih alata za druge od propisanih namena može voditi opasnim situacijama.
- 5) **BRIŽLJIVO OPHODJENJE I KORIŠĆENJE APARATA SA AKUMULATOROM**
 - a) **Punite akumulator samo u aparatima za punjenje koje propisuje proizvođač.** Za aparat za punjenje koji je pogodan za određenu vrstu akumulatora, postoji opasnost od požara, ako se upotrebljava sa drugim akumulatorom.
 - b) **Upotrebljavajte samo za to predviđene akumulatore u električnim alatima.** Upotreba drugih akumulatora može voditi povredama i opasnosti od požara.
 - c) **Držite ne korišćen akumulator podalje od kancelarijskih spajalica, novčića, ključeva, eksera, zavrtanja ili drugih malih metalnih predmeta koji mogu prouzrokovati premošćavanje kontakata.** Kratak spoj između kontakata akumulatora može imati za posledicu zagorevanje ili vatru.
 - d) **Kod pogrešne primene može izaći tečnost iz akumulatora. Izbegavajte kontakt sa njom. Kod slučajnog kontakta isperite sa vodom. Ako tečnost dodje u dodir sa očima, potražite i lekarsku pomoć dodatno.** Tečnost akumulatora koja može izaći napolje može voditi nadražajima kože ili opekotinama.
- 6) **SERVIS**
 - a) **Neka Vam Vaš aparat popravlja samo kvalifikovano stručno osoblje i samo sa originalnim rezervnim delovima.** Na taj način se obezbeđuje da ostane sačuvana sigurnost aparata.

SIGURNOSNA UPUTSTVA ZA AKUMULATORSKE BUŠILICE/UVRTAČE

- Izbegavajte oštećenja od šrafova, eksera i drugih predmeta na vašem području rada; uklonite ih pre nego što započnete rad

- Uvek se uverite da je napon struje isti kao i napon naveden na punjaču (punjači od 230 V ili 240 V mogu takođe biti priključeni na napon od 220 V)
 - U slučaju električnog ili mehaničkog kvara odmah isključiti alat ili izvući punjač iz struje
 - SKIL može priznati garanciju samo ukoliko je korišćen odgovarajući pribor koji možete da nabavite kod svog SKIL prodavca
 - Koristite samo pribor čija je dozvoljena brzina u najmanju ruku jednaka najvećoj brzini pri praznom hodu električnog alata
 - Ovaj alat ne treba da koriste osobe ispod 16 godina
 - **Obezbedite radni predmet** (radni predmet stegnut pomoću stega ili nečeg sličnog je mnogo stabilniji nego kada se drži rukom)
 - **Hvatajte električni alat samo za izolovane hvataljke, ako izvodite radove, kod pribor može sresti skrivene vodove struje ili vlastiti mrežni kabl** (kontakt sa vodom koji provodi napon stavlja i metalne delove električnog alata pod napon i vodi električnom udaru)
 - **Koristite odgovarajuće aparate za proveru dali se u zidu koji bušimo nalaze skrivene instalacije, ili za taj posao nađite odgovarajuće preduzeće** (kontakt sa električnim vodovima može izazvati požar ili električni udar; oštećenje gasovoda može izazvati eksploziju; probijanje cevi sa vodom uzrokuje štete ili može izazvati električni udar)
 - **Ne obrađujte nikakav materijal koji sadrži azbest** (azbest važi kao izazivač raka)
 - Prašina od materijala, kao što su boja koja sadrži olovo, neke vrste drveta, minerali i metal, može biti opasna (dodir ili udisanje prašine može prouzrokovati alergijske reakcije i/ili respiratorna oboljenja rukovaoca i lica u blizini); **nosite masku protiv prašine i radite uz uključeni uređaj za ekstrakciju prašine kada radite na mestima gde ju je moguće priključiti**
 - Određene vrste prašine su klasifikovane kao kancerogene (kao što su prašina hrastovine i bukovine), posebno u sadejstvu sa aditivima za pripremu drveta; **nosite masku protiv prašine i radite uz uključeni uređaj za ekstrakciju prašine kada radite na mestima gde ju je moguće priključiti**
 - Prati nacionalne propise vezane za prašinu koja se proizvodi prilikom rada na obrađivanim materijalima
 - Uverite se da je prekidač F (2) u srednjoj poziciji (blokada) pre nego što počnete da podešavate alat , menjate pribor ili nosite alat
- ### PUNJENJE/BATERIJA
- Punite bateriju samo punjačem koji se isporučuje uz alat
 - Nemojte dodirivati kontakte u punjaču
 - Ne izlažite alat/punjač/bateriju kiši
 - Odlazite alat/punjač/bateriju na mestima gde temperatura neće preći 40°C niti pasti ispod 0°C
 - Baterije će eksplodirati ako se izlože vatri, zato nikada ne palite baterije
 - Nemojte koristiti punjač ako su oštećeni; odnesite ih ovlašćeni SKIL servis da ih pregledaju

- Nemojte koristiti punjač ako su mu oštećeni kabl ili utikač; oni treba odmah da budu zamenjeni u nekom od ovlašćenih SKIL servisa
- Nemojte koristiti oštećenu bateriju; odmah je treba zameniti
- Nemojte izgubiti bateriju ili punjač
- Nemojte puniti punjačem baterije koje se ne pune
- Opis simbola za punjač/bateriju
 - ③ Pročitajte uputstvo za korišćenje pre prve upotrebe
 - ④ Punjač koristite samo unutra
 - ⑤ Dvostruka izolacija (nije potrebna žica za uzemljenje)
 - ⑥ Nepravilno povezani polaritet punjača može prouzrokovati opasnost (bateriju puniti samo pomoću originalnog punjača)
 - ⑦ Punjač ne odlažite u kućne otpatke
 - ⑧ Bateriju ne odlažite u kućne otpatke
 - ⑨ NiMH tehnologija obezbeđuje više energije uz manje štetnih uticaja na okolinu

UPUTSTVO ZA KORIŠĆENJE

- Punjenje baterije ⑩
 - baterija kod novih alata nije potpuno napunjena
 - uključite punjač u izvor napajanja
 - upaliće se svetlo B
 - umetnite bateriju u punjač
 - svetlo B će početi da trepti, što označava da se baterija puni (⑩a)
 - posle otprilike 2-3 sata baterija je napunjena; svetlo B trepti i zatim neprestano svetli, a punjač automatski prelazi na punjenje radi održavanja (⑩b)

! uklonite bateriju iz punjača posle punjenja jer time poduzavate životni vek baterije

VAŽNO:

- ukoliko svetlo B ne počne da trepti posle umetanja baterije (⑩b), to može da znači da:
 - 1) je baterija ili previše hladna ili pretopla (punjač puni baterije samo kada je temperatura baterije između 0°C i 45°C); punjač tada automatski prelazi na punjenje radi održavanja dok se ne postigne temperatura između 0°C i 45°C, kada punjač automatski prelazi na punjenje radi održavanja
 - 2) bateriju treba zameniti
- punjač i bateriju se mogu zagrejati tokom punjenja; to je normalno i ne znači nikakav kvar
- uverite se da je spoljna površina baterije čista i suva pre nego što je stavite u punjač
- nemojte puniti bateriju iznad 40°C niti ispod 0°C; to bi ozbiljno oštetilo bateriju i punjač
- nemojte vaditi bateriju iz alata dok alat radi
- ! bateriju koji je nov ili duže van upotrebe dajte svoju punu snagu tek posle približno 5 ciklusa punjenja/praznjenja**
- nemojte ponovo puniti betriju posle samo par minuta rada jer će to samniti njenu efikasnost
- niki-metalhidrid bateriju treba čuvati alje od namirnica i ne treba reciklirati kao normalan otpad (simbol ⑧ će vas podsetiti na to)

! da bi se izbegli kratki spojevi je baterija zaštićena debljom trakom

- ako nastupi duži period mirovanja alata, najbolje je isključiti punjač iz struje
- Kombinovani prekidač A ② za uključivanje/isključivanje i kontrolu brzine
 - Možete kontrolisati brzinu od najmanje do najveće menjanjem pritiska na obaraču
- Izmena smera rotacije ⑪
 - ako leva/desna pozicija ne ulegnu kako treba, prekidač A ② neće moci biti strtovan
- ! smer rotacije menjati samo kada alat potpuno miruje**
- Izmena bitseva ⑫
 - stavite bit što je moguće dublje u futer bušilice
- ! ne koristite bitseve sa oštećenim prihvatom**
- ! koristiti samo oštre bitseve**
- Kontrola obrtnog momenta (VariTorque) ⑬
 - ograničava snagu izlaznog obrtnog momenta dobijenu steznom glavom (podešavanje po 26 stepeni)
 - izlazni obrtni momenat se povećava prilikom obrtanja prstena spojnice C od 1 do 25; pozicija D će zaključati spojnicu da bi se omogućilo bušenje ili rad na otpornijim površinama
 - ako uvrćete šraf, prvo probajte sa VariTorque pozicijom 1 i povećavajte dok ne dostignete željenu dubinu
- Mehaničko biranje brzina ⑬
 - podesiti prekidač E na dozvoljenu brzinu
- ! aktivirajte prekidač za biranje brzina dok alat radi niskom brzinom**
- NISKA BRZINA
 - visoki obrtni momenat
 - za uvrtanje šrafova i bušenje velikih prečnika
 - za uvrtanje navoja
- VISOKA BRZINA
 - niski obrtni momenat
 - za bušenje malih prečnika
- Indikator kapaciteta baterije ⑭
 - Prikazuje preostali kapacitet baterije
- Držanje i upravljanje alata
 - prorezi za hlađenje H ② moraju da budu otvoreni
 - ne pritiskati alat previše, pustite da alat sam radi

SAVETI ZA PRIMENU

- Pri bušenju metala
 - prvo izbušiti malu rupu ako Vam je potrebna veća rupa
 - bitseve povremeno namazati uljem
- Pri uvrtnju šrafova na krajevima drveta prvo treba izbušiti malu rupu da bi se izbeglo listanje drveta
- Za optimalno korišćenje alata potreban je stalan pritisak na šraf, posebno pri odstranjivanju istih
- Ako uvrćete šraf u tvrdo drvo potrebno je prethodno izbušite rupu

- Nivo vibracija
Nivo emisije vibracija naznačen na poleđini ovog uputstva za upotrebu izmeren je u skladu sa standardizovanim testom datim u EN 60745; on se može koristiti za upoređenje jedne alatke sa drugom, kao i za preliminarnu procenu izloženosti vibracijama pri korišćenju ove alatke za pomenute namene
 - korišćenje alatke u drugačije svrhe ili sa drugačijim ili slabo održavanim nastavcima može značajno **povećati** nivo izloženosti
 - vreme kada je alatka isključena ili kada je uključena, ali se njome ne radi, može značajno **smanjiti** nivo izloženosti
- ! **zaštite se od posledica vibracija održavanjem alatke i njenih nastavaka, održavajući Vaše ruke toplim i organizovanjem Vaših radnih obrazaca**

ODRŽAVANJE / SERVIS

- Održavajte alat i punjač čistim
 - čistite kontakte u punjaču alkoholom ili specijalnim sredstvom za čišćenje
- ! **pre nego što počnete sa čišćenjem izvucite punjač iz struje**
- Ako bi alat/punjač i pored brižljivog postupka izrade i kontrole nekada otkazao, popravku mora vršiti neki autorizovani servis za SKIL-električne alate
 - pošaljite **nerastavljeni** alat i punjač zajedno sa potvrdom o kupovini vašem nabavljaču ili najbližem SKIL servisu (adrese i oznake rezervnih delova možete naći na www.skileurope.com)

ZAŠTITA OKOLINE

- **Električne alate, pribora i ambalaže ne odlažite u kućne otpatke** (samo za EU-države)
 - prema Europskoj direktivi 2002/96/EG o staroj električnoj i elektronskoj opremi i njenoj upotrebi u skladu sa nacionalnim pravom, električni alati koji su istrošeni moraju biti sakupljeni odvojeno i dostavljeni pogonu za reciklažu
 - simbol ⑦ će vas podsetiti na to

SL0

**Akumulatorski
vrtalnik/vijačnik** **2502/2602/2702**

UVOD

- To orodje je namenjeno za vrtanje u les, kovino, keramiko in plastiko; orodje z elektronsko regulaciju števila vrtljajev in levo/desno smerjo vrtenja je primerno tudi za privijanje in vrezovanje navojev
- Preberite in shranite navodila za uporabo ③

LASTNOSTI ①

DELI ORODJA ②

- A Vklopno/izklopno stikalo in za nadzor hitrosti
- B Lučka (polnilec)
- C Obroč za nastavitvev momenta
- D Zaklenjeni položaj (sklopka)
- E Stikalo za izbiro stopnje
- F Stikalo za preklap smeri vrtenja
- G Hitrovpeljna glava
- H Ventilacijske reže
- J Polnilec

VARNOST

SPLOŠNA VARNOSTNA NAVODILA

⚠ OPOZORILO! Preberite vsa opozorila in napotila. Napake zaradi neupoštevanja spodaj navedenih opozoril in napotil lahko povzročijo električni udar, požar in/ali težke telesne poškodbe. **Vsa opozorila in napotila shranite, ker jih boste v prihodnje še potrebovali.** Pojem “električno orodje”, ki se pojavlja v nadaljnjem besedilu, se nanaša na električna orodja z električnim pogonom (z električnim kablom) in na akumulatorska električna orodja (brez električnega kabla).

1) VARNOST NA DELOVNEM MESTU

- a) **Poskrbite, da bo Vaše delovno mesto vedno čisto in urejeno.** Nered ali neosvetljena delovna področja lahko povzročijo nezgode.
- b) **Prosimo, da orodja ne uporabljate v okolju, kjer je nevarnost za eksplozije in v katerem se nahajajo gorljive tekočine, plini in prah.** Električna orodja povzročajo iskenje, zato se gorljivi prah ali pare lahko vnamejo.
- c) **Ne dovolite otrokom in drugim osebam, da bi se medtem ko delate, približali električnemu orodju.** Druge osebe lahko odvrnejo Vašo pozornost drugam in izgubili boste nadzor nad orodje.

2) ELEKTRIČNA VARNOST

- a) **Vtič mora ustrezati električni vtičnici in ga pod nobenim pogojem ne smete spreminjati. Uporaba adapterskih vtičev v kombinaciji z ozemljena orodja ni dovoljena.** Originalni oziroma nespremenjeni vtiči in ustrezne vtičnice zmanjšujejo tveganje električnega udara.
- b) **Izogibajte se telesnemu stiku z ozemljenimi površinami, na primer s cevmi, grelci, štedilniki in hladilniki.** Če je ozemljeno tudi vaše telo, obstaja povečano tveganje električnega udara.
- c) **Zavarujte orodje pred dežjem ali vlago.** Vdor vode v električno orodje povečuje tveganje električnega udara.
- d) **Električnega kabla ne uporabljajte za prenašanje ali obešanje orodja in ne vlečite vtič iz vtičnice tako, da vlečete za kabel. Zavarujte kabel pred vročino, oljem, ostrimi robovi in premikajočimi se deli orodja.** Poškodovani ali prepleteni kabli povečujejo tveganje električnega udara.

- e) Če z električnim orodjem delate na prostem, uporabljajte izključno kabelski podaljšek, ki je atestiran za delo na prostem. Uporaba kabelskega podaljška, primernega za delo na prostem, zmanjšuje tveganje električnega udara.
- f) Če je uporaba električnega orodja v vlažnem okolju neizogibna, uporabljajte prekinjevalec električnega tokokroga. prekinjevalca električnega tokokroga zmanjšuje tveganje električnega udara.

3) OSEBNA VARNOST

- a) **Bodite zbrani in pazite, kaj delate. Dela z električnim orodjem se lotite razumno. Nikoli ne uporabljajte orodja, če ste utrujeni in če ste pod vplivom mamil, alkohola ali zdravil.** En sam trenutek nepazljivosti pri uporabi orodja ima lahko za posledico resne telesne poškodbe.
- b) **Uporabljajte osebna zaščitna sredstva in vedno nosite zaščitna očala.** Uporaba osebnih zaščitnih sredstev, na primer maske proti prahu, nedrsečih zaščitnih čevljev, zaščitne čelade in glušnikov, odvisno od vrste in uporabe električnega orodja, zmanjšuje tveganje telesnih poškodb.
- c) **Izogibajte se nenamernemu zagonu. Pred priključitvijo električnega orodja na električno omrežje in/ali na akumulator in pred dviganjem ali nošenjem se prepričajte, če je električno orodje izklopljeno.** Prenašanje naprave s prstom na stikalu ali priključitev vklopljenega električnega orodja na električno omrežje je lahko vzrok za nezgodo.
- d) **Pred vklopom orodja odstranite z nje nastavitvena orodja ali vijačni ključ.** Orodje ali ključ, ki se nahajata na vrtečem se delu električnega orodja, lahko povzročita nezgodo.
- e) **Ne precenjujte se in poskrbite za varno stojišče in stalno ravnotežje.** Tako boste lahko v nepričakovani situaciji bolj odvladali orodje.
- f) **Nosite primerno obleko, ki naj ne bo preohlapna. Ne nosite nakita. Lasje, oblačilo in rokavice naj se ne približujejo premikajočim se delom orodja.** Premikajoči se deli orodja lahko zgrabijo ohlapno obleko, nakit, ali dolge lase.
- g) **Če je možno na orodje namestiti priprave za odsesavanje in prestrezanje prahu, prepričajte se, ali so le-te priključene in, če jih pravilno uporabljate.** Uporaba priprave za odsesavanje prahu zmanjšuje zdravstveno ogroženost zaradi prahu.

4) RAVNANJE IN NEGA ROČNEGA ORODJA

- a) **Ne preobremenjujte orodja. Za določeno delo uporabljajte električno orodje, ki je predvideno za opravljanje tega dela.** Z ustreznim električnim orodjem boste delo opravili bolje in varneje, ker je bilo v ta namen tudi konstruirano.
- b) **Električno orodje, ki ima pokvarjeno stikalo, ne uporabljajte.** Električno orodje, ki ga ni možno vklopiti ali izklopiti, je nevarno in ga je potrebno popraviti.
- c) **Pred nastavljanjem naprave, zamenjavo delov pribora ali odlaganjem naprave izlebite vtičnik iz električne vtičnice in/ali odstranite akumulator.** Ta previdnostni ukrep onemogoča nepredviden zagon orodja.

- d) **Kadar orodja ne uporabljate ga shranjujte izven dosega otrok. Osebam, ki orodja ne poznajo ali niso prebrale teh navodil, orodja ne dovolite uporabljati.** Električna orodja so nevarna, če jih uporabljajo neizkušene osebe.
- e) **Skrbno negujte orodje. Preverite, če premikajoči se deli orodja delujejo brezhibno in če se ne zatikajo, oziroma, če kakšen del orodja ni zlomljen ali poškodovan do te mere, da bi oviral njegovo delovanje. Pred nadaljnjo uporabo je potrebno poškodovani del popraviti.** Vzrok za številne nezgode so ravno slabo vzdrževana električna orodja.
- f) **Rezalna orodja naj bodo ostra in čista.** Skrbno negovana rezalna orodja z ostrimi rezili se manj zatikajo in so bolj vodljiva.
- g) **Električna orodja, pribor, nastavke in podobno uporabljajte v skladu s temi navodili. Pri tem upoštevajte delovne pogoje in vrsto dela, ki ga nameravate opraviti.** Zaradi uporabe električnega orodja v druge, nepredvidene namene, lahko nastanejo nevarne situacije.
- 5) **SKRBNO RAVNANJE Z AKUMULATORSKIMI NAPRAVAMI IN NJIHOVA UPORABA**
- a) **Prosimo, da akumulatorske baterije polnite samo v polnilnikih, ki jih priporoča proizvajalec.** Na polnilniku, predvidenem za polnjenje določene vrste akumulatorskih baterij, lahko pride do požara, če ga uporabljate za polnjenje drugih vrst akumulatorskih baterij.
- b) **Za pogon akumulatorskih orodij uporabljajte samo zanje predvidene akumulatorske baterije.** Uporaba drugačnih akumulatorskih baterij lahko povzroči telesne poškodbe ali požar.
- c) **Kadar akumulatorska baterija ni v orodju, pazite, da ne pride v stik s kovinskimi predmeti kot so pisarniške sponke, kovanci, ključ, žbljci, vijaki ali ostalimi kovinskimi predmeti, ki bi lahko povzročili stik med obema poloma akumulatorja.** Kratak stik med kontakti akumulatorske baterije lahko povzroči opekline ali požar.
- d) **Pri napačni uporabi lahko iz akumulatorske baterije priteče tekočina. Izogibajte se stiku z njo. V primeru naključnega stika prizadeto mesto spirajte z vodo. Če pride akumulatorska tekočina v oči, po spiranju poiščite tudi zdravniško pomoč.** Iztekanje tekočine iz akumulatorja lahko povzroči draženje kože ali opekline.
- 6) **SERVIS**
- a) **Popravilo orodja lahko opravi samo usposobljena strokovna oseba in to izključno z originalnimi nadomestnimi deli.** Le tako bo ohranjena nadaljnja varnost orodja.

VARNOSTNA NAVODILA ZA AKUMULATORSKE VRTALNIKE/VIJAČNIKE

- Izogibajte se poškodb zaradi vijakov, žbljev ali drugih elementov v obdelovancu; odstranite jih pred začetkom dela

- Vedno preverite, če je napetost omrežja enaka napetosti, ki je navedena na tablici podatkov polnilca (polnilci z navedeno napetostjo 230V ali 240V se lahko priključijo tudi na napetost 220V)
- V primeru električnih ali mehanskih motenj takoj izključite orodje ali izvalcite vtičnik polnilca iz vtičnice
- SKIL zagotavlja brezhibno delovanje orodja le z uporabo pravega dodatnega pribora, ki ga dobite pri SKIL-ovih trgovcih
- Uporabljajte lahko dodatni pribor, katerega dovoljena hitrost je najmanj enaka največji hitrosti orodja
- Orodja naj ne bi uporabljale osebe mlajše od 16 let
- **Zavarujte obdelovanec** (obdelovanec stisnjen v prižemi ali prižežu je bolj varen kot v roki)
- **Pri izvajanju del, kjer je mogoče, da orodje oz. pribor pride v stik s skritimi električnimi vodniki ali celo z lastnim priključnim kablom, držite električno orodje vedno za izolirane dele in ročaje** (stik orodja z vodniki pod napetostjo prenesejo napetost tudi na ostale kovinske dele električnega orodja, kar ima za posledico električni udar na uporabnika)
- **Za iskanje skritih električnih, plinskih in vodovodnih cevi uporabite primerne iskalne naprave (detektorje) ali se posvetujte z lokalnimi podjetji** (stik z električnimi vodniki lahko povzroči požar ali električni udar; poškodbe plinovoda lahko povzročijo eksplozijo, vdor v vodovodno omrežje pa materialno škodo ali električni udar)
- **Ne obdelujte materiala, ki vsebuje azbest** (azbest povzroča rakasta obolenja)
- Prah materialov, kot so barve, ki vsebujejo svinec, nekatere vrste lesa, mineralov ali kovin so lahko škodljivi (ob stiku ali vdihavanju lahko prah pri delavcu ali pri drugih prisotnih povzroči alergijsko reakcijo in/ali boleznih dihal); **nosite masko za prah in pri delu uporabljajte napravo za odsesavanje prahu, kjer je le-to možno priključiti**
- Nekatere vrste prahu so klasificirane kot kancerogene (kot npr. prah hrasta in bukke) še posebno ob sočasni uporabi z dodatki za obdelavo lesa; **nosite masko za prah in pri delu uporabljajte napravo za odsesavanje prahu, kjer je le-to možno priključiti**
- Upoštevajte nacionalne zahteve glede prahu za materiale katere želite obdelovati
- Pred nastavitvijo ali menjavo pribora in pri prenašanju ali shranjevanju orodja zagotovite, da je stikalo F ② v vmesni poziciji (zaklenjeno)

POLNENJE/AKUMULATORJI

- Akumulator polnite samo s polnilcem, ki je dobavljen skupaj z orodjem
- Ne dotikajte se kontaktov v polnilcu
- Ne izpostavljajte orodja, polnilca in akumulatorja dežju
- Shranjujte orodje, polnilec in akumulator v prostoru, kjer temperatura ne bo presegla 40°C in ne bo padla pod 0°C
- Baterije lahko pri izpostavljanju odprtemu ognju eksplodirajo, zato jih nikoli ne sežigajte
- Ne uporabljajte poškodovanega polnilca akumulatorjev; v pooblaščenih Skilovi servisni delavnici preverite, če ustreza varnostnim zahtevam

- Kadar sta priključni kabel ali vtičnik polnilca poškodovana, ga ne smete uporabljati, temveč ju obvezno zamenjajte v pooblaščenih Skilovi servisni delavnici
- Ne uporabljajte poškodovanega akumulatorja; takoj ga je potrebno zamenjati
- Ne razstavljajte polnilca ali akumulatorja
- S polnilcem ne poskušajte polniti navadnih (suhih) baterij
- Razlaga oznak na polnilniku/bateriji
 - ③ Pred uporabo preberite navodila za uporabo
 - ④ Polnilnik uporabljajte samo v zaprtih prostorih
 - ⑤ Dvojna izolacija (ozemljitveni kabel ni potreben)
 - ⑥ Napačna polariteta na priključku polnilnika lahko povzroči nevarnost (baterijo polnite vedno le s priloženim polnilnikom)
 - ⑦ Polnilca ne odstranjujte s hišnimi odpadki
 - ⑧ Akumulatorja ne odstranjujte s hišnimi odpadki
 - ⑨ Tehnologija NiMH daje več energije na okolju manj škodljiv način

UPORABA

- Polnjenje akumulatorja ⑩
 - baterija novega orodja ni polno napolnjena
 - vključite polnilec v vtičnico
 - lučka B se bo prižgala
 - vstavite akumulator v polnilec
 - lučka B bo začela utripati, kar pomeni, da se je polnjenje pričelo (⑩a)
 - po približno 2-3 urah je akumulator polno napolnjen in lučka B reneha utripati in neprekinjeno sveti, po tem času bo polnilec avtomatsko prešel v stanje pripravljenosti polnjenja (⑩b)
- ! **po končanem polnjenju je potrebno vzeti akumulator iz polnilca, s tem podaljšamo življenjsko dobo akumulatorja**
- POMEMBNO:
 - če lučka B ne utripa potem, ko je akumulator vstavljen v polnilec (⑩b), to lahko pomeni:
 - 1) akumulator je prehladen ali prevroč (polnilec polni akumulatorje le, če je temperatura med 0°C in 45°C); polnilec je v stanju pripravljenosti dokler temperatura ne pade v območje med 0°C in 45°C, nato polnilec avtomatsko začne s polnjenjem
 - 2) akumulator je potrebno zamenjati
 - pri polnjenju se tako polnilec kot tudi akumulator lahko segrejeta; to je sicer normalen pojav in ni vzrok nepravilnega delovanja
 - zagotovite, da je zunanja površina akumulatorja čista in suha preden ga vstavite v polnilec
 - ne polnite pri temperaturi pod 0°C in preko 40°C; to lahko povzroči resne poškodbe akumulatorja in polnilca
 - ne odstranjujte akumulatorja iz orodja med obratovanjem orodja
- ! **nov akumulator doseže svojo polno zmogljivost šele po približno 5 cikih polnjenja/praznjenja; isto velja za akumulatorje, ki dlje časa niso bili uporabljeni**

- akumulatorja ne polnite po vsaki krajši uporabi; to lahko povzroči hitrejšo iztrošenost akumulatorja
 - nikelj-metal hidridnega akumulatorja ni dovoljeno odvreči v običajne gospodinjne odpadke, temveč le na zato določena mesta (na to naj vas spomni simbol ⑧)
 - ! **preden akumulator zavržete, prilepite kontakte z debelejším izolirnim trakom, da preprečite kratak stik**
 - če predvidevate, da orodja ne boste uporabljali dlje časa, izključite vtičnik polnilca iz vtičnice
 - Kombinirano stikalo A ② za vklop/izklop in nastavitve hitrosti
Hitrost se brezstopenjsko nastavlja od 0 do maksimalne z večjim ali manjšim pritiskom na stikalo
 - Menjava smeri vrtenja ⑪
 - v primeru, da preklopnik smeri vrtenja ni v pravilnem položaju ni možno vklopiti stikala A ②
 - ! **preklop smeri vrtenja izvesti le pri popolnoma mirujočem orodju**
 - Menjava nastavkov ⑫
 - steblo nastavek potisnite kot je le mogoče globoko v vrtalno glavo vrtalnika
 - ! **ne uporabljajte nastavke s poškodovanim stebлом**
 - ! **vedno uporabljajte ostre nastavke**
 - Nastavitve momenta (VariTorque) ⑬
 - omejuje vrednost vrtilnega momenta na vrtalni glavi (26 stopenj nastavitve)
 - vrtilni moment bo naraščal z vrtenjem nastavitvenega obroča sklopke C od 1 do 25; položaj D izključi sklopko in dopušča vrtenje in težja vijačenja
 - pri vijačenju vijakov najprej nastavimo sklopko na položaj 1 in nato povečujemo dokler ne dosežemo zelene globine
 - Mehanska izbira stopnje ⑭
 - nastavite stikalo E na zeleno hitrost
 - ! **stikalo za izbiro stopnje pritisnite medtem, ko se orodje vrti počasi**
- VEČJA MOČ
- večji moment
 - za vijačenje in vrtenje večjih premerov
- VEČJA HITROST
- nižji moment
 - za vrtenje manjših premerov
- Indikator stanja akumulatorja ⑮
Pokaže koliko energije akumulatorja je že potrošeno
- Držanje in vodenje orodja
 - ventilacijske reže H ② morajo biti nepokrite
 - ne pritisnite na orodje premočno, pustite da orodje sam opravi delo

UPORABNI NASVETI

- Pri vrtenju v kovine
 - naprej izvrtajte manjšo luknjo, šele nato večjo
 - sveder občasno naoljite

- Pri vijačenju vijaka v les v bližini robu je potrebno predvrtati luknjo, s čimer boste preprečili pokanje lesa
- Za optimalno delo je potreben enakomeren pritisk na orodje, posebno pri odvijanju vijaka
- Pri privijanju vijaka v trd les priporočamo, da najprej izvrtate luknjo
- Raven vibracij
Raven oddajanja vibracij, navedena na zadnji strani teh navodil za uporabo je bila izmerjena v skladu s standardiziranimi testi, navedenimi v EN 60745; uporabiti jo je mogoče za primerjavo različnih orodij med seboj in za predhodno primerjavo izpostavljenosti vibracijam pri uporabi orodja za namene, ki so omenjeni
 - uporaba orodja za drugačne namene ali uporaba skupaj z drugimi, slabo vzdrževanimi nastavki lahko znatno **poveča** raven izpostavljenosti
 - čas, ko je orodje izklopljeno ali ko teče, vendar z njim ne delamo, lahko znatno **zmanjša** raven izpostavljenosti
- ! **pred posledicami vibracij se zaščitite z vzdrževanjem orodja in pripadajočih nastavkov, ter tako, da so vaše roke tople, vaši delovni vzorci pa organizirani**

VZDRŽEVANJE / SERVISIRANJE

- Orodje in polnilec morata biti čista
 - očistite kontakte polnilca z alkoholom ali s čistilom za kontakte
- ! **pred čiščenjem potegnite električni vtič iz vtičnice**
- Če bi kljub skrbnim postopkom izdelave in preizkušanja prišlo do izpada delovanja orodja/polnilca, naj popravilo opravi servisna delavnica, pooblaščen za popravila SKILevih električnih orodij
 - pošljite **nerazstavljeno** orodje ali polnilec skupaj s potrdilom o nakupu pri vašem prodajalcu v najbližjo SKIL servisno delavnico (naslovi, kot tudi spisek rezervnih delov se nahajata na www.skileurope.com)

OKOLJE

- **Električnega orodja, pribora in embalaže ne odstranite s hišnimi odpadki** (samo za države EU)
 - v skladu z Evropsko direktivo 2002/96/EG o odpadnih električni in elektronski opremi in z njenim izvajanjem v nacionalni zakonodaji je treba električna orodja ob koncu njihove življenjske dobe ločeno zbirati in jih predati v postopek okolju prijaznega recikliranja
 - ko je potrebno odstranjevanje, naj vas o načinu spomni simbol ⑦

Akutrell/-kruvikeeraja 2502/2602/2702

SISSEJUHATUS

- Tööriist on ettenähtud puidu, metalli, keraamiliste ja plastmaterjalide puurimiseks; elektrooniliselt reguleeritavade ning päri- ja vastupäeva pöörlemise funktsiooniga seadmed sobivad ka kruvide keeramiseks ja keermete lõikamiseks
- Palun lugege käesolev kasutusjuhend hoolikalt läbi ja hoidke alles ③

TEHNILISED ANDMED ①

SEADME OSAD ②

- A Lüliti tööriista sisse-/väljalülitamiseks ja kiiruse kontrollimiseks
- B Tuli (laadija)
- C Väändemomendi regulaator
- D Lukustusasend (padrun)
- E Käiguvaliku lüliti
- F Lüliti pöörlemisruuna muutmiseks
- G Kiirkinnituspadrin
- H Ohutusavad
- J Laadija

TÖÖOHUTUS

ÜLDISED OHUTUSJUHISED

⚠ TÄHELEPANU! Kõik ohutusnõuded ja juhised tuleb läbi lugeda. Ohutusnõuete ja juhiste eiramise tagajärjeks võib olla elektrilöökk, tulekahju ja/või rasked vigastused. **Hoidke kõik ohutusnõuded ja juhised edasiseks kasutamiseks hoolikalt alles.** Allpool kasutatud mõiste “elektriline tööriist” käib võrgutoiteta (toitejuhtmega) elektriliste tööriistade ja akutoiteta (ilma toitejuhtmata) elektriliste tööriistade kohta.

1) OHUTUSNÕUDED TÖÖPIIRKONNAS

- a) **Hoidke töökoht puhas ja korras.** Segadus või valgustamata tööpiirkonnad võivad põhjustada õnnetusi.
- b) **Ärge kasutage seadet plahvatusohtlikus keskkonnas, kus leidub tuleohtlikke vedelikke, gaase või tolmu.** Elektrilistest tööriistadest lööb sädemeid, mis võivad tolmu või auru süüdata.
- c) **Kui kasutate elektrilist tööriista, hoidke lapsed ja teised isikud töökohast eemal.** Kui Teie tähelepanu kõrvale juhitakse, võib seade Teie kontrolli alt väljuda.

2) ELEKTROOHUTUS

- a) **Seadme pistiku peab pistikupesasse sobima. Pistiku kallal ei tohi teha mingeid muudatusi. Ärge kasutage kaitsemaandusega seadmete puhul adapterpistikuid.** Muutmata pistikud ja sobivad pistikupesad vähendavad elektrilöögi saamise riski.

- b) **Vältige kehakontakti maandatud pindadega, nagu torud, radiaatorid, pliidid ja külmikud.** Kui Teie keha on maandatud, on elektrilöögi risk suurem.
- c) **Hoidke seadet vihma ja niiskuse eest.** Kui elektriseadmesse on sattunud vett, on elektrilöögi saamise risk suurem.
- d) **Ärge kasutage toitejuht selleks mitte ettenähtud otstarbel seadme kandmiseks, ülesriputamiseks ega pistiku pistikupesast väljatõmbamiseks. Hoidke toitejuht kuumuse, õli, teravate servade ja seadme liikuvate osade eest.** Kahjustatud või keerduläinud toitejuhtmed suurendavad elektrilöögi saamise riski.
- e) **Kui töötate elektrilise tööriistaga vabas õhus, kasutage ainult selliseid pikendusjuhtmeid, mida on lubatud kasutada ka välitingimustes.** Välitingimustes kasutamiseks sobiva pikendusjuhtme kasutamine vähendab elektrilöögi saamise riski.
- f) **Kui elektrilise tööriista kasutamine niiskes keskkonnas on vältimatu, kasutage maandusega lekkevoolukaitset.** Maandusega lekkevoolukaitsme kasutamine vähendab elektrilöögi ohtu.

3) INIMESTE TURVALISUS

- a) **Olge tähelepanelik, jälgige, mida Te teete, ning toimige elektrilise tööriistaga töötades mõistlikult. Ärge kasutage seadet, kui olete väsinud või uimastite, alkoholi või ravimite mõju all.** Hetkeline tähelepanematus seadme kasutamisel võib põhjustada tõsiseid vigastusi.
- b) **Kandke isikukaitsevahendeid ja alati kaitseprille.** Isikukaitsevahendite, nagu tolmu mask, liibsemiskindlad turvajalatsid, kaitsekiiver või kuulmiskaitsevahendid, kandmine – sõltuvalt elektrilise tööriista tüübist ja kasutusalaalt – vähendab vigastuste riski.
- c) **Vältige seadme tahtmatut käivitamist. Enne pistiku ühendamist pistikupesasse, aku ühendamist seadme külge, seadme ülestõstmist ja kandmist veenduge, et elektriline tööriist on välja lülitatud.** Kui hoiate elektrilise tööriista kandmisel sõrme lülilil või ühendate vooluvõrku sisselülitatud seadme, võivad tagajärjeks olla õnnetused.
- d) **Enne seadme sisselülitamist eemaldage selle küljest reguleerimis- ja nutrivõtmed.** Seadme pöörleva osa küljes olev reguleerimis- või nutrivõti võib põhjustada vigastusi.
- e) **Ärge hinnake end üle. Võtke stabiilne tööasend ja hoidke kogu aeg tasakaalu.** Nii saate seadet ootamatutes olukordades paremini kontrollida.
- f) **Kandke sobivat rõivastust. Ärge kandke laiu riideid ega ehteid. Hoidke juuksed, rõivad ja kindad seadme liikuvatest osadest eemal.** Lotendavad riided, ehted või pikad juuksed võivad sattuda seadme liikuvate osade vahele.
- g) **Kui on võimalik paigaldada tolmuemaldus- ja tolmu kogumisseadiseid/seadmeid, veenduge, et need oleksid seadmega ühendatud ja et neid kasutataks õigesti.** Tolmuemaldusseadise kasutamine vähendab tolmu põhjustatud ohte.

4) ELEKTRILISTE TÖÖRIISTADE HOOLIKAS KÄSITSEMINE JA KASUTAMINE

- a) **Ärge koormake seadet üle. Kasutage töö tegemiseks selleks ettenähtud elektrilist tööriista.** Sobiva elektrilise tööriistaga töötate paremini ja turvalisemalt ettenähtud võimsusvahemikus.
- b) **Ärge kasutage elektrilist tööriista, mille lüliti on rikkis.** Elektriline tööriist, mida ei ole enam võimalik sisse ja välja lülitada, on ohtlik ning seda tuleb remontida.
- c) **Tõmmake pistik pistikupesast välja ja/või eemaldage seadmest aku enne seadme reguleerimist, tarvikute vahetamist ja seadme ärapanekut.** See ettevaatusabinõu väldib seadme tahtmatut käivitamist.
- d) **Hoidke kasutusel mitteolevaid elektrilisi tööriistu lastele kättesaamatuult. Ärge laske seadet kasutada isikutel, kes seda ei tunne või pole siintoodud juhiseid lugenud.** Kogenematute kasutajate käes kujutavad elektrilised tööriistad ohtu.
- e) **Hoolitsege seadme eest. Kontrollige, kas seadme liikuvad osad funktsioneerivad korralikult ja ei kiildu kiini, ning ega mõned osad ei ole katki või sel määral kahjustatud, et võiksid piirata seadme funktsioneerimist. Laske kahjustatud osad enne seadme kasutamist parandada.** Paljude õnnetuste põhjuseks on halvasti hooldatud elektrilised tööriistad.
- f) **Hoidke löiketarvikud teravad ja puhtad.** Hoolikalt hoitud, teravate löikeservadega löiketarvikud kiilduvad harvemini kinni ja neid on lihtsam juhtida.
- g) **Kasutage elektrilist tööriista, lisavarustust, tarvikuid jne vastavalt siintoodud juhistele ning nii. Arvestage seejuures töötingimuste ja teostatava töö iseloomuga.** Elektriliste tööriistade kasutamine mitte ettenähtud otstarbel võib põhjustada ohtlikke olukordi.
- #### 5) AKUTÖÖRIISTADE HOOLIKAS KÄSITSEMINE JA KASUTAMINE
- a) **Laadige akusid ainult tootja poolt soovitatud akulaadijatega.** Akulaadija, mis sobib teatud tüüpi akudele, muutub tuleohtlikuks, kui seda kasutatakse teiste akudega.
- b) **Kasutage elektrilistes tööriistades ainult selleks ettenähtud akusid.** Teiste akude kasutamine võib põhjustada vigastusi ja tulekahjuohtu.
- c) **Hoidke kasutusel mitteolevad akud eemal kirjaklambritest, müntidest, võtmetest, naeltest, kruvidest või teistest väikestest metallesemetest, mis võivad kontaktid omavahel ühendada.** Akukontaktide vahel tekkiva lühise tagajärjeks võivad olla põletused või tulekahju.
- d) **Väärkasutuse korral võib akuvedelik välja voolata. Vältige sellega kokkupuudet. Juhusliku kokkupuute korral loputage kahjustatud kohta veega. Kui vedelik satub silma, pöörduge lisaks arsti poole.** Väljavoolav akuvedelik võib põhjustada nahaärritusi või põletusi.
- #### 6) TEENINDUS
- a) **Laske seadet parandada ainult kvalifitseeritud spetsialistidel ja ainult originaalvaruosadega.** Nii tagate seadme püsimise turvalisena.

OHUTUSJUHISE AKUTRELL-KRUVIKEERAJA KOHTA

- Vältige töödeldavas esemes olevatest kruvidest, naeltest vms põhjustatud kahjustusi; eemaldage need enne töö alustamist
- Kontrollige alati, kas võrgupinge ühtib seadme andesildil toodud pingega (andesildil toodud 230 V või 240 V korral võib seadet kasutada ka 220 V võrgupinge puhul)
- Kui seade töötab ebaharilikult või teeb kummalist müra, lülitage see viivitamatult välja või tõmmake laadija pistik pistikupesast välja
- SKIL tagab seadme häireteta töö üksnes sobivate tarvikute kasutamisel, mis on saadaval meie edasimüüjate juures või SKILI lepingulistes töökodades
- Kasutage vaid neid tarvikuid, mille lubatud pöörete arv on vähemalt sama suur nagu maksimaalsed tühikäigupöörded
- Antud tööriista kasutaja peab olema vähemalt 16 aastat vana
- **Fikseerige toorik** (fiksaatoriga kinnitatud või kruustangide vahele pandud toorik püsib kindlamini paigal kui lihtsalt käega hoides)
- **Kui on oht, et tarvik võib puutuda kokku varjatud elektrijuhtme või seadme enda toitejuhtmega, tuleb elektrilist tööriista hoida ainult isoleeritud käepidemetest** (kokkupuude pinge all oleva juhtmega võib tekitada pinge seadme metallosades ja põhjustada elektrilöögi)
- **Varjatult paiknevate elektrijuhtmete, gaasi- või veetooride avastamiseks kasutage sobivaid otsimisseadmeid või pöörduge kohaliku elektri-, gaasi- või vee-ettevõtte poole** (kokkupuutel elektrijuhtmetega tulekahju- ja elektrilöögioht; gaasitorustiku vigastamisel plahvatusoht; veetoorustiku vigastamisel materiaalne kahju või elektrilöögioht)
- **Asbestisaldava materjali töötlemine on keelatud** (asbest võib tekitada vähi)
- Värvida kaetud juhtmed, mõned puiduliigid, mineraalid ja metall eraldavad tolmu, mis võib olla kahjulik (kokkupuude tolmuga või selle sissehingamine võib seadme kasutajal või läheduses viibival inimesel põhjustada allergilisi reaktsioone ja/või hingamisteede haigusi); **kandke tolmumaski ja töötage vajadusel ühendatava tolmueemaldusseadmega**
- Teatud tüüpi tolm on klassifitseeritud kantserogeenina (nt tammest ja kasest eralduv tolm), eriti koos puidu niiskuse reguleerimiseks kasutatavate lisanditega; **kandke tolmumaski ja töötage vajadusel ühendatava tolmueemaldusseadmega**
- Erinevate materjalide töötlemisel tekkiva tolmu suhtes tuleb järgida riigis kehtivaid nõudeid
- Enne seadistustööde tegemist seadme kallal ning tarvikute vahetust, samuti enne seadme transportimist ja hoiustamist veenduge, et lüliti F ② oleks keskasendis (lukustatud asendis)

LAADIMINE/AKUD

- Laadige akut ainult kaasasoleva akulaadijaga
- Ärge puudutage akulaadija kontakte

- Ärge jätke tööriista/laadijat/akut vihma kätte
- Hoidke tööriista/laadijat/akut toatemperatuuril vahemikus 0° kuni 40°C
- Tulle visatud akud plahvatavad, seepärast ei tohi akut mingil põhjusel põletada
- Ärge kasutage kahjustatud laadijaid; toimetage seade kontrollimiseks SKILL ametlikku lepingulisse töökotta
- Lõpetage laadija kasutamine, kui selle toitejuhe või pistik on kahjustatud; laske toitejuhe või pistik kohe SKILL ametlikus lepingulises töökojas välja vahetada
- Ärge kasutage kahjustatud akusid, vaid vahetage need kohe välja
- Ärge kunagi monteerige laadijat või akut lahti
- Ärge püüdke laadida laadijaga mittelaetavaid patareisisid
- Laadijal/akul olevate tähistete selgitus
 - ③ Enne kasutamist tutvuge kasutusjuhendiga
 - ④ Kasutage laadijat ainult siseruumides
 - ⑤ Topeltisolatsioon (maandusjuhe pole vajalik)
 - ⑥ Laadija valede pooluste ühendamine on ohtlik (kasutage aku laadimiseks ainult kaasasolevat laadijat)
 - ⑦ Ärge visake kasutuskõlbmatuks muutunud laadijat ära koos olmejäätmetega
 - ⑧ Ärge visake kasutuskõlbmatuks muutunud akut ära koos olmejäätmetega
 - ⑨ NiMH-tehnoloogia toodab keskkonda vähem saastaval viisil rohkem energiat

KASUTAMINE

- Aku laadimine ⑩
 - uued tööriistad ei ole laetud
 - ühendage laadija vooluvõrk
 - süttib signaaltuli B
 - asetage aku laadijasse
 - signaaltuli B vilgub, mis annab märku laadimisprotsessist (⑩a)
 - umbes 2-3-tunniliist pärast on aku täis laetud ja signaaltuli B jääb pidevalt põlema ning laadija lülitub automaatselt ümber säilitusrežiimile (⑩b)
- ! pärast laadimisprotsessi lõppu on soovitatav aku laadijast ära võtta, see pikendab aku eluiga
- OLULINE:
 - kui olete asetanud aku laadijasse, kuid signaaltuli B ei vilgu (⑩b), võib see tähendada, et:
 - 1) aku on liiga külm või liiga soe (laadimine on võimalik ainult aku temperatuurivahemikus 0° kuni 45°); laadija lülitub siis automaatselt ümber säilitusrežiimile; kui aku saavutab laadimiseks sobiliku temperatuuri, lülitub laadija automaatselt tavalaadimisrežiimile
 - 2) aku tuleb välja vahetada
 - laadimise käigus võivad laadija ja aku soojeneda; see on normaalne
 - enne aku asetamist laadijasse veenduge, et aku välispind oleks puhas ja kuiv
 - tuleks vältida laadimist temperatuuridel alla 0° ja üle 40°, sest see võib laadijat ja akut oluliselt kahjustada
 - akut ei tohi eemaldada töötavalt tööriistalt

- ! uus või pikemat aega kasutamata aku saavutab täisvõimsuse alles umbes 5 laadimis-/tühjenemistsükli järel
- akut ei ole soovitatav laadida iga kord pärast seadme lühiajalist kasutamist, kuna see võib suurendada kulumist
- NiMH-aku tuleb eeskirjadekohaselt kahjutustada, see ei tohi sattuda olmeprügi hulka (seda meenutab Teile sümbol ⑧)
- ! enne aku kahjutustamist katke selle otsad kaitseks tugeva teibiga, et vältida lühisahela teket
- kui Te tööriista pikemat aega ei kasuta, on soovitatav tõmmata laadija pistik pistikupesast välja
- Kombinatsioonlülitil A ② sisse-/väljalülitamiseks kiiruse kontrolliks
- Avaldades lülitile suuremat või väiksemat survet, saab kiirust sujuvalt reguleerida nullist kuni maksimaalsete pööreteni
- Pöörlemisuuena ümberlülitamine ⑪
 - kui lüliti ei ole korralikult fikseerunud vasakus/paremas asendis, ei ole võimalik töölülitile A ② varetada
- ! pöörlemisuuenda tohib muuta üksnes siis, kui seade on täielikult seisunud
- Otsakute vahetamine ⑫
 - lükake otsak võimalikult sügavale padrunisse
- ! ärge kasutage kahjustatud varrega otsakuid
- ! kasutage üksnes teravaid otsakuid
- Väändemomendi kontroll (VariTorque) ⑬
 - piirab padruni väändemomenti (26 sidur asendis)
 - väändemomendi suurendamiseks pöörake sidurirõngast C asendist 1 asendisse 25; asendis D sidur blokeerub, võimaldades teostada raskeid puurimis- ja kruvikeeramistöid
 - kruvi sissekeeramist alustage VariTorque asendis 1 ja suurendage siis tasapisi väändemomenti, kuni soovitud sügavus on saavutatud
- Mehaaniline käiguvalik ⑬
 - valige lüliti E abil soovitud pöörded
- ! käiguvaliku lüliti tohib ümber lülitada siis, kui seade töötab aeglastel pööretel
- SUUR VÕIMSUS
 - suur väändemoment
 - kruvide keeramiseks ja suure läbimõõduga aukude puurimiseks
 - keermete puurimiseks
- KÕRGED PÖÖRDED
 - madal väändemoment
 - väikese läbimõõduga aukude puurimiseks
- Aku laetuse astme näidik ⑭
- Näitab aku laetuse astet
- Seadme hoidmine ja juhtimine
 - hoidke õhutusavad H ② kinnikatmata
 - ärge suruge tööriistale liigselt; laske sellel enda heaks töötada

TÖÖJUHISED

- Metallil puurimisel
 - kui vajate suuremat auku, puurige algul ette väike auk
 - määrige otsakuid aeg-ajalt õliga
- Krui vi keeramisel puidu otsapiirkonda on soovitatav auk ette puurida, et vältida puidu lõhenemist
- Tööriista optimaalseks kasutamiseks on vajalik pidev surve kruvile, eriti kruvi väljakeeramisel
- Krui vi keeramisel kõvasse puitu on soovitatav auk ette puurida
- Vibratsioonitase
Käesoleva juhendi tagakaanel nimetatud tekkiva vibratsiooni tase on mõõdetud vastavalt standardis EN 60745 kirjeldatud standarditule testiile; seda võib kasutada ühe tööriista võrdlemiseks teisega ja vibratsiooni mõju esialgseks hindamiseks märgitud rakenduste jaoks kasutatavate tööriistade käitamisel
 - tööriista kasutamine muudeks rakendusteks või ekspositsioonitase märkimisväärselt **suurened**
 - ajal, kui tööriist on väljalülitatud või on küll sisselülitatud, kuid tegelikult seda ei kasutata, võib ekspositsioonitase märkimisväärselt **vähened****! kaitske ennast vibratsiooni toime eest, hooldades tööriista ja selle tarvikuid, hoides oma käed soojad ja organiseerides hästi oma töövõtteid**

HOOLDUS / TEENINDUS

- Hoidke tööriist ja laadija puhtad
 - puhastage laadija kontaktid alkoholi või kontaktipuhastusvahendiga**! enne laadija puhastamist tõmmake selle pistikupesast välja**
- Antud tööriist/laadijat on hoolikalt valmistatud ja testitud; kui tööriist/laadijat sellest hoolimata rikki läheb, tuleb see lasta parandada SKILI elektriliste käsitööriistade volitatud remonditöökojas
 - saatke tööriist või laadija koos ostukviitungiga tarnijale või lähimasse SKILI lepinguliselt töökotta (aadressid ja tööriista varuosade joonise leiata aadressilt www.skileurope.com)

KESKKOND

- **Ärge visake kasutuskõlbmatuks muutunud elektrilisi tööriistu, lisatarvikuid ja pakendeid ära koos olmejäätmetega** (üksnes EL liikmesriikidele)
 - vastavalt Euroopa Parlamendi ja nõukogu direktiivile 2002/96/EÜ elektri- ja elektroonikaseadmete jäätmete kohta ning direktiivi nõuete kohaldamisele liikmesriikides tuleb kasutuskõlbmatuks muutunud elektrilised tööriistad koguda eraldi ja keskkonnasäästlikult korduvkasutada või ringlusse võtta
 - seda meenutab Teile sümbol ⑦

LV

Akumulatora 2502/2602/2702 urbjmašina/skrūvgriezis

IEVADS

- Šis instruments ir paredzēts urbšanai kokā, metālā, keramikas izstrādājumos un plastmasā; instrumenta modeļi ar elektronisko ātruma regulēšanas sistēmu un darbvārpstas griešanās virziena pārslēgšanu ir piemēroti arī skrūvju ieskrūvēšanai un vītņu griešanai
- Izlasiet un saglabājiet šo pamācību ③

TEHNISKIE PARAMETRI ①

INSTRUMENTA ELEMENTI ②

- A** Slēdzis instrumenta ieslēgšanai/izslēgšanai un ātruma regulatorš
- B** Indikators (uzlādes ierice)
- C** Gredzens griezens momenta regulēšanai
- D** Bloķēšanas pozīcija (regulēšana)
- E** Pārnesumu pārslēdzējs
- F** Rotācijas virziena pārslēdzējs
- G** Bezatslēgas urbpatrona
- H** Ventilācijas atveres
- J** Uzlādes ierice

JŪSU DROŠĪBAI

VISPĀRĪGI DROŠĪBAS NORĀDĪJUMI

⚠ UZMANĪBU! Rūpīgi izlasiet visus drošības noteikumus. Šeit sniegto drošības noteikumu un norādījumu neievērošana var izraisīt aizdegšanos un būt par cēloni elektriskajam triecienam vai nopietnam savainojumam. **Pēc izlasīšanas uzglabājiet šos noteikumus turpmākai izmantošanai.** Turpmākajā izklāstā lietotais apzīmējums “elektroinstruments” attiecas gan uz tikla elektroinstrumentiem (ar elektrokabeļi), gan arī uz akumulatora elektroinstrumentiem (bez elektrokabeļa).

1) DROŠĪBA DARBA VIETĀ

- Seko jiet, lai darba vieta būtu tīra un sakārtota.**
Nekārtīgā darba vietā vai sliktā apgaismojumā var viegli notikt nelaimes gadījums.
- Nelietojiet elektroinstrumentu eksplozīvu vai ugunsnedrošu vielu tuvumā un vietās ar paaugstinātu gāzes vai putekļu saturu gaisā.**
Darba laikā instruments nedaudz dzirksteļo, un tas var izsaut viegli degošu putekļu vai tvaiku aizdegšanos.
- Lietojot elektroinstrumentu, nelaujiet nepiederošām personām un jo īpaši bērniem tuvoties darba vietai.**
Citu personu klātbūtnē var novērst uzmanību, un tā rezultātā jūs varat zaudēt kontroli pār instrumentu.

2) ELEKTRODROŠĪBA

- a) **Elektroinstrumenta kontaktdakšai jābūt piemērotai elektrotīkla kontaktlīgzdai. Kontaktdakšas konstrukciju nedrīkst nekādā veidā mainīt. Nelietojiet kontaktdakšas salāgotājus, ja elektroinstrumenti caur kabeli tiek savienoti ar aizsargzēmējuma ķēdi.** Neizmainītas konstrukcijas kontaktdakšas, kas piemērota kontaktlīgzdai, ļauj samazināt elektriskā trieciena saņemšanas risku.
 - b) **Darba laikā nepieskarieties saņemtiem priekšmetiem, piemēram, caurulēm, radiatoriem, plītiņiem vai ledusskapjiem.** Pieskaroties saņemtam virsmām, pieaug risks saņemt elektrisko triecienu.
 - c) **Nelietojiet elektroinstrumentu lietus laikā, nēturiet to mitrūmā.** Mitrūmā iekļūstot instrumentā, pieaug risks saņemt elektrisko triecienu.
 - d) **Nenesiet un nepiekarīet elektroinstrumentu aiz elektrokabeļa. Neaurījiet aiz kabeļa, ja vēlaties atvienot instrumentu no elektrotīkla kontaktlīgzdas. Sargājiet elektrokabeļi no karstuma, eļļas, asām šķautnēm un instrumenta kustīgajām daļām.** Bojāts vai samezgļojies elektrokabeļis var būt par cēloni elektriskajam triecienam.
 - e) **Darbinot elektroinstrumentu ārpus telpām, izmantojiet tā pievienošanai vienīgi tādus pagarinātājkabeļus, kuru lietošana ārpus telpām ir atļauta.** Lietojot elektrokabeļi, kas piemērots darbam ārpus telpām, samazinās risks saņemt elektrisko triecienu.
 - f) **Ja elektroinstrumentu tomēr nepieciešams lietot vietās ar paaugstinātu mitrumu, izmantojiet tā pievienošanai noplūdes strāvas aizsargreleju.** Lietojot noplūdes strāvas aizsargreleju, samazinās risks saņemt elektrisko triecienu.
- ## 3) PERSONISKĀ DROŠĪBA
- a) **Darba laikā saglabājiet paškontroli un rīkojieties saskaņā ar veselo saprātu. Pārtrauciet darbu, ja jūtaties noguris vai atrodaties alkohola, narkotiku vai medikamentu izraisītā reibumā.** Strādājot ar elektroinstrumentu, pat viens neuzmanības mirklis var būt par cēloni nopietnam savainojumam.
 - b) **Izmantojiet individuālos darba aizsardzības līdzekļus un darba laikā vienmēr nēsājiet aizsargbrilles.** Individuālo darba aizsardzības līdzekļu (putekļu maskas, neslidošu apavu un aizsargķiveres vai ausu aizsargu) pielietošana atbilstoši elektroinstrumenta tipam un veicama darba raksturam ļauj izvairīties no savainojumiem.
 - c) **Nepieļaujiet elektroinstrumenta patvaļīgu ieslēgšanu. Pirms elektroinstrumenta pievienošanas elektrotīklam, akumulatora ievietošanas vai izņemšanas, kā arī pirms elektroinstrumenta pārņemšanas pārliecinieties, ka tas ir izslēgts.** Pārnesot elektroinstrumentu, ja pirksts atrodas uz ieslēdzēja, kā arī pievienojot to elektrobarošanas avotam laikā, kad elektroinstrumenti ir ieslēgts, var viegli notikt nelaimes gadījums.

- d) **Pirms instrumenta ieslēgšanas neaizmirstiet izņemt no tā regulējošos instrumentus vai skrūvjatslēgas.** Patronatslēga vai skrūvjatslēga, kas instrumenta ieslēgšanas brīdī nav izņemta no tā, var radīt savainojumu.
 - e) **Strādājot ar elektroinstrumentu, ieturiet stingru stāju. Darba laikā vienmēr saglabājiet līdzsvaru un centieties nepaslidēt.** Tas atvieglos instrumenta vadību neparedzētās situācijās.
 - f) **Izvēlieties darbam piemērotu apģērbu. Darba laikā nenēsājiet brīvi plandošas drēbes un rotaslietas. Netuviniet matus, apģērbu un aizsargcimdus instrumenta kustīgajām daļām.** Vaļiņas drēbes, rotaslietas un gari mati var iekļerties instrumenta kustīgajās daļās.
 - g) **Ja elektroinstrumenta konstrukcija ļauj tam pievienot ārējo putekļu uzsūkšanas vai savākšanas/uzkrāšanas ierīci, sekojiet, lai tā tiktu pievienota elektroinstrumentam un pareizi darbotos.** Pielietojot putekļu uzsūkšanu vai savākšanu/uzkrāšanu, samazinās to kaitīgā ietekme uz strādājošās personas veselību.
- ## 4) ELEKTROINSTRUMENTU LIETOŠANA UN APKOPE
- a) **Nepārslogojiet elektroinstrumentu. Katram darbam izvēlieties piemērotu instrumentu.** Elektroinstrumenti darbosies labāk un drošāk pie nominālās slodzes.
 - b) **Nelietojiet elektroinstrumentu, ja ir bojāts tā ieslēdzējs.** Elektroinstrumenti, ko nevar ieslēgt un izslēgt, ir bīstami lietošanai un to nepieciešams remontēt.
 - c) **Pirms elektroinstrumenta apkopes, regulēšanas vai darbinstrumenta nomainīšanas atvienojiet tā kontaktdakšu no barojošā elektrotīkla vai izņemiet no tā akumulatoru.** Šādi iespējams samazināt elektroinstrumenta nejaušas ieslēgšanās risku.
 - d) **Elektroinstrumentu, kas netiek darbināts, uzglabājiet piemērotā vietā, kur tas nav sasniedzams bērniem un personām, kuras neprot rīkoties ar instrumentu.** Ja elektroinstrumentu lieto nekompetentas personas, tas var apdraudēt cilvēku veselību.
 - e) **Rūpīgi veiciet elektroinstrumenta apkalpošanu. Pārbaudiet, vai kustīgās daļas darbojas bez traucējumiem un nav iespīlētas, vai kāda no daļām nav salauzta vai bojāta, vai katra no tām pareizi funkcionē un pilda tai paredzēto uzdevumu. Nodrošiniet, lai bojātās daļas tiktu savlaicīgi nomainītas vai remontētas pilnvarotā remonta darbnīcā.** Daudzi nelaimes gadījumi notiek tādēļ, ka elektroinstrumenti pirms lietošanas nav pienācīgi apkalpoti.
 - f) **Savlaicīgi notīriet un uzasiniet griezošos darbinstrumentus.** Rūpīgi kopti instrumenti, kas apgādāti ar asiem griezējinstrumentiem, ļauj strādāt daudz ražīgāk un ir vieglāk vadāmi.
 - g) **Lietojiet vienīgi tādus elektroinstrumentus, papildpiederumus, darbinstrumentus utt., kas paredzēti attiecīgajam pielietojuma veidam. Bez tam jāņem vērā arī konkrētie darba apstākļi un pielietojuma īpatnības.** Elektroinstrumentu lietošana citiem mērķiem, nekā to ir paredzējis ražotājs, ir bīstama un var novest pie neparedzamām sekām.

5) AKUMULATORA ELEKTROINSTRUMENTU LIETOŠANA

a) Akumulatora uzlādei lietojiet tikai tādu uzlādes ierīci,

ko ir ieteikusi elektroinstrumenta ražotājfirma. Katra uzlādes ierīce ir paredzēta tikai noteikta tipa akumulatoram, un mēģinājums to lietot cita tipa akumulatoru uzlādei var novest pie uzlādes ierīces un/vai akumulatora aizdegšanās.

b) Pievienojiet elektroinstrumentam tikai tādu akumulatoru, ko ir ieteikusi instrumenta ražotājfirma.

Cita tipa akumulatoru lietošana var novest pie elektroinstrumenta un/vai akumulatora aizdegšanās.

c) Laikā, kad akumulators ir atvienots no elektroinstrumenta, nepieļaujiet, lai tā kontakti saskartos ar saspraudēm, monētām, atslēgām, naglām, skrūvēm vai citiem nelieliem metāla priekšmetiem, kas varētu izraisīt isslēgumu.

Isslēgums starp akumulatora kontaktiem var izsaukt tā aizdegšanos un būt par cēloni ugunsgrēkam.

d) Nepareizi lietojot akumulatoru, no tā var izplūst šķidrās elektrolīts. Nepieļaujiet, ka elektrolīts nonāktu saskarē ar ādu. Ja tas tomēr nejauci ir noticis, noskalojiet elektrolītu ar ūdeni. Ja elektrolīts nonāk acīs, nekavējoties griežieties pie ārsta.

No akumulatora izplūdušais elektrolīts var izsaukt ādas iekaisumu vai pat apdegumu.

6) APKALPOŠANA

a) Nodrošiniet, lai Instrumenta remontu veiktu kvalificēts personāls, nomainīj izmantojot oriģinālās rezerves daļas un piederumus. Tikai tā iespējams panākt instrumenta ilgstošu un nevainojamu darbību bez atteikumiem.

DARBA DROŠĪBAS NOTEIKUMI AKUMULATORA URBJMAŠĪNĀM/SKRŪVGRIEŽIEM

- Izvairieties no instrumenta bojājumiem, kurus var izsaukt apstrādājamajā priekšmetā esošās skrūves, naglas vai citi līdzīgi objekti; tādējādi pirms darba uzsākšanas atbrīvojiet apstrādājamo materiālu no šādiem priekšmetiem
- Pārliecinieties, ka spriegums, kas uzrādīts uz uzlādes ierīces marķējuma plāksnītes, atbilst maiņsprieguma vērtībai barojošajā elektrotīklā (uzlādes ierīces, uz kuru marķējuma plāksnītes ir uzrādīta sprieguma vērtība 230 V vai 240 V, var darboties arī pie elektrotīkla sprieguma 220 V)
- Mehāniska vai elektriska rakstura kļūmes gadījumā nekavējoties izslēdziet instrumentu vai atvienojiet uzlādes ierīci no barojošā elektrotīkla
- SKIL garantē instrumenta nevainojamu darbību tikai tad, ja tiek lietoti pareizi izvēlēti papildpiederumi, kas iegādāti pie SKIL oficiālā izplatītāja
- Lietojiet tikai tādus darbinstrumentus, kuru pieļaujamais darbības ātrums ir vismaz tikpat liels, kā instrumenta maksimālais tukšgaitas ātrums
- Šo instrumentu nedrīkst izmantot personas, kas jaunākas par 16 gadiem
- Nostipriniet detaļu (drošāk detaļu nostiprināt ar spailēm vai skrūvspilēm, nevis turēt rokā)

- Veicot darbu apstākļos, kad darbinstruments var skart slēptu elektropārvades līniju vai paša instrumenta elektrokabeli, turiet instrumentu tikai aiz izolētajiem rokturim (darbinstrumentam skarot spriegumu nesošo vadus, šis spriegums nonāk arī uz instrumenta strāvu vadošajām daļām un var būt par cēloni elektriskajam triecienam)
- Ar piemērota metālmeklētāja palīdzību pārbaudiet, vai apstrādes vietu nešķērso slēptas elektropārvades līnijas, kā arī gāzes vai ūdens caurules; šaubu gadījumā griežieties vietējā komunālās saimniecības iestādē (darbinstrumentam skarot elektrotīkla fāzes līniju, var izcelties ugunsgrēks un strādājošais var saņemt elektrisko triecienu; gāzes vada bojājums var izraisīt sprādzienu; darbinstrumentam skarot ūdensvada cauruli, var tikt bojātas materiālās vērtības un strādājošais var saņemt elektrisko triecienu)
- Neapstrādājiet materiālus, kas satur azbestu (azbestam piemīt kancerogēnas īpašības)
- Materiāla (piemēram, svīnu saturošas krāsas, dažu koka šķirņu, minerālu un metāla) putekļi var būt kaitīgi (saskare ar putekļiem vai to ieelpošana var izraisīt alerģiskas reakcijas un/vai elpceļu saslimšanas operatoram vai klātesošajiem); izmantojiet putekļu masku un putekļu nosūcēju, ja to iespējams pieslēgt
- Dažu veidu putekļi ir klasificēti kā kancerogēni (piemēram, ozola vai dižskābarža putekļi), jo īpaši kombinācijā ar koksnis kondicionēšanas piedevām; izmantojiet putekļu masku un putekļu nosūcēju, ja to iespējams pieslēgt
- Ievērojiet ar putekļu savākšanu saistītos nacionālos noteikumus, kas attiecas uz apstrādājamajiem materiāliem
- Pirms regulēšanas vai piederumu nomainīšanas, kā arī, pārnesot vai uzglabājot instrumentu, pārliecinieties, ka tā pārslēdzējs F ② atrodas

UZLĀDE/AKUMULATORI

- Akumulatoru uzlādešanai izmantojiet tikai šim nolūkam paredzēto ierīci, kas ietilpst instrumenta piegādes komplektā
- Nepieskarieties uzlādes ierīces kontaktspailēm
- Neatstājiet instrumentu, uzlādes ierīci vai akumulatoru lietū
- Uzglabājiet instrumentu, uzlādes ierīci un akumulatoru vietā, kur temperatūra nepārsniedz 40°C un nav zemāka par 0°C
- Ja akumulators tiks dedzināts, tas eksplodēs, tāpēc nekādā gadījumā to nededziniet
- Nelietojiet bojātu uzlādes ierīci, bet nododiet to pārbaudei firmas SKIL pilnvarotā apkopes un remonta darbnīcā
- Nelietojiet uzlādes ierīci, ja ir bojāts tās elektrokabelis vai kontaktdakša, bet nekavējoties nomainiet bojāto daļu firmas SKIL pilnvarotā apkopes un remonta darbnīcā
- Nelietojiet bojātu akumulatoru; tas nekavējoties jānomaina
- Nemēģiniet izjaukt uzlādes ierīci vai atvērt akumulatora korpusu

- Nemēģiniet uzlādēt barošanas elementus, kuri nav paredzēti atkārtotai uzlādēšanai
- Lādētāja/akumulatora apzīmējumu skaidrojums
 - ③ Pirms ekspluatācijas izlasiet instrukciju rokasgrāmatu
 - ④ Lādētāju drīkst lietot tikai telpās
 - ⑤ Dubulta izolācija (nav jālieto zemējuma vads)
 - ⑥ Lādētāja savienojuma nepareiza polaritāte var nodarīt kaitējumu (lādējiet akumulatoru tikai ar komplektācijā esošo lādētāju)
 - ⑦ Neizmetiet uzlādes ierīci sadzīves atkritumos
 - ⑧ Neizmetiet akumulatora sadzīves atkritumos
 - ⑨ NiMH tehnoloģija nodrošina vairāk enerģijas, ievērojami mazāk piesārņojot vidi

DARBS

- Akumulatora uzlādēšana parādīta zīmējumā ⑩
 - jauna instrumenta akumulators parasti nav pilnībā uzlādēts
 - pievienojiet uzlādes ierīci elektrotīklam
 - iedegas indikators B
 - ievietojiet akumulatoru uzlādes ierīcē
 - notiekot uzlādes procesam, indikators B sāk mirgot (⑩a)
 - aptuveni pēc 2-3 stundām akumulators ir pilnībā uzlādēts; indikators B pārstāj mirgot un turpina degt pastāvīgi (⑩b); šai laikā uzlādes ierīce pāriet darbam izlīdzināšanas režīmā
- ! **pēc uzlādes beigām izņemiet akumulatoru no uzlādes ierīces, jo šādi var pagarināt akumulatora kalpošanas ilgumu**

SVARĪGI NORĀDĪJUMI:

- ja pēc akumulatora ievietošanas uzlādes ierīcē tās indikators B nesāk mirgot (⑩b), tas nozīmē, ka:
 - 1) akumulatora temperatūra neietilpst pieļaujamo temperatūru diapazonā (akumulatora temperatūra nedrīkst būt zemāka par 0°C vai augstāka par 45°C); uzlādes ierīce tad automātiski pārtrauc uzlādes procesu un pāriet darbam izlīdzināšanas režīmā; akumulatora temperatūrai sasniedzot pieļaujamo temperatūras vērtību, uzlādes ierīce automātiski pāriet uzlādes režīmā
 - 2) akumulators ir jānomaina
- uzlādes laikā uzlādes ierīce un akumulators var nedaudz uzsilt; tas ir normāli un neliecina par bojājumu
- pirms akumulatora ievietošanas uzlādes ierīcē pārļiecinieties, ka tā ārējā virsma ir tīra un sausa
- neveiciet akumulatora uzlādi, ja gaisa temperatūra ir zemāka par 0°C vai augstāka par 40°C; tas var radīt akumulatora un uzlādes ierīces nopietnus bojājumus
- neizņemiet akumulatoru no instrumenta laikā, kad tas darbojas
- ! **jaunam vai ilgāku laiku nelietotam akumulatoram ietilpība pilnībā atjaunojas tikai pēc aptuveni 5 uzlādes/izlādes cikliem**
- necentieties akumulatoru uzlādēt atkārtoti jau pēc dažu minūšu darba, jo pretējā gadījumā var samazināties akumulatora kalpošanas ilgums un darbaspēja

- niķeļa-metālhidrida akumulatori jāuzglabā atsevišķi un tos nevar izmest kopā ar sadzīves atkritumiem (speciāls simbols ⑧ a atgādina par nepieciešamību tos utilizēt videi nekaitīgā veidā)
- ! **pirms akumulatora utilizācijas tā kontakti jāaplīmē ar izolācijas lenti, lai nepieļautu īssavienojuma rašanos starp tiem**
- ja ir paredzams, ka instruments ilgu laiku periodu netiks izmantots, uzlādes ierīces elektrokabelis jāatvieno no barojošā elektrotīkla
- Kombinētais ieslēdzējs A ② un darbvārpstas griešanās ātruma regulēšana
Izmainot spiedienu uz ieslēdzēju, plūstoši regulējiet darbvārpstas griešanās ātrumu no nulles vērtības līdz maksimālajai
- Rotācijas virziena pārslēgšana ⑪
 - ja darbvārpstas griešanās virziena pārslēdzējs nav precīzi iestādīts galējā labējā/kreisajā stāvoklī, ieslēdzēju A ② nav iespējams aktivēt
- ! **pārslēdziet instrumenta rotācijas virzienu tikai tad, kad instruments ir pilnībā apstājies**
- Darbinstrumentu nomaīņa ⑫
 - ievietojiet darbinstrumenta kātu urbjpatronā pēc iespējas dziļāk
 - ! **neizmantojiet darbinstrumentus ar bojātu kātu**
 - ! **lietojiet tikai asus darbinstrumentus**
- Griezes momenta regulēšanas sistēma (VariTorque) ⑬
 - šī sistēma ļauj regulēt instrumenta urbjpatronas griezes momentu (26 pakāpēs)
 - griezes moments pieaug, griežot regulējošo gredzenu C no stāvokļa 1 līdz stāvoklim 25; pagriežot gredzenu stāvoklī D, sistēmas darbība tiek bloķēta, ļaujot veikt urbsšanas un skrūvēšanas darbus ar lielu griezes momentu
 - ieskrūvējot skrūvi, vispirms pagrieziet regulējošo gredzenu stāvoklī 1, tad pakāpeniski palieliniet griezes momentu, līdz tiek sasniegts vēlamais ieskrūvēšanas dziļums
- Mehāniskā pārslēgšana ⑬
 - ar pārslēdzēja E palīdzību izvēlieties vajadzīgo ātrumu
 - ! **pārvietojiet pārslēdzēju tikai tad, kad instruments darbojas ar nelielu ātrumu**
- LIELĀKA JAUDA
 - liels griezes moments
 - piemērots skrūvju ieskrūvēšanai un lielāka diametra urbumu veidošanai
 - piemērots vītņu iegriešanai
- LIELĀKS ĀTRUMS
 - mazāks griezes moments
 - piemērots mazāka diametra urbumu veidošanai
- Akumulatora lādīņa indikators ⑭
Indikatoris uzrāda, cik daudz enerģijas akumulatorā ir atlicis
- Instrumenta turēšana un vadīšana
 - nenosprostojiet instrumenta ventilācijas atveres H ②
 - darba laikā pārlietu nespiediet instrumentu; ļaujiet tam darboties nominālā režīmā

PRAKTISKI PADOMI

- Melno metālu urbšana
 - ja nepieciešams izurbt atveri ar lielu diametru, vispirms izurbiet mazāku atveri
 - laiku pa laikam ieeļļojiet urbi
- Veicot skrūves ieskrūvēšanu tuvu koka priekšmeta vai konstrukcijas malai, vispirms ieteicams izurbt atveri, lai nepieļautu koksnes plaisāšanu
- Lai instruments tiktu izmantots optimālā režīmā, ieturiet pastāvīgu spiedienu uz skrūves galvu; īpaši, izskrūvējot skrūvi
- Veicot skrūves ieskrūvēšanu cietā koksnē, vispirms izurbiet atveri
- Vibrācijas līmenis
Šis rokasgrāmatas aizmugurē ar zvaigznīti norādītais vibrācijas emisiju līmenis mērīts, izmantojot standartā EN 60745 paredzēto testu; to var izmantot, lai salīdzinātu instrumentus un provizoriski izvērtētu vibrācijas iedarbību, lietojot instrumentu minētajiem mērķiem
 - instrumenta izmantošana citiem mērķiem vai ar citiem vai nepietiekami koptiem piederumiem var ievērojami palielināt iedarbības līmeni
 - laika periodi, kad instruments ir izslēgts vai arī ir izslēgts, taču ar to nestrādā, var ievērojami samazināt iedarbības līmeni**! pasargājiet sevi no vibrācijas ietekmes, veicot instrumenta un tā piederumu tehnisko apkopi, gādājot, lai rokas ir siltas, un organizējot darba gaitu**

APKALPOŠANA / APKOPE

- Uzturiet tīru instrumentu un uzlādes ierīci
 - notīriet uzlādēšanas kontaktus uzlādes ierīcē ar spirtu vai speciālo kontaktu tīrīšanas līdzekli**! pirms uzlādes ierīces tīrīšanas atvienojiet uzlādes ierīci no elektrotīkla**
- Ja, neraugoties uz augsto izgatavošanas kvalitāti un rūpīgo pēcražošanas pārbaudi, instruments/lādētājs tomēr sabojājas, tas nogādājams remontam firmas SKIL pilnvarotā elektroinstrumentu remonta darbnīcā
 - nogādājiet izstrādājumu kopā ar iegādes dokumentiem tuvākajā tirdzniecības vietā vai firmas SKIL pilnvarotā pēciegādes apkalpošanas un remontu iestādē **neizjauktā veidā** (adreses un instrumenta apkalpošanas shēma tiek sniegta interneta adresē www.skileurope.com)

APKĀRTĒJĀS VIDES AIZSARDZĪBA

- **Neizmetiet elektroiekārtas, piederumus un iesaiņojuma materiālus sadzīves atkritumos** (tikai ES valstīm)
 - saskaņā ar Eiropas Savienības direktīvu 2002/96/ES par nolietotajām elektriskajām un elektroniskajām iekārtām un tās atspoguļojumiem nacionālajā likumdošanā, nolietotās elektroiekārtas ir jāsavāc, jāizjauc un jānogādā atbilstoši pārstrādei apkārtējai videi draudzīgā veidā
 - īpašs simbols ⑦ atgādina par nepieciešamību tos utilizēt videi nekaitīgā veidā

LT

Akumulatorinis 2502/2602/2702 grēztuvas/suktuvas

ĪVADAS

- Šis įrankis skirtas medienos, metalo, keramikos bei plastmasės gręžimui; modeliai su elektroniniu sūkių valdymu bei reverso funkcija tinka ir varžtų sukimui bei sriegimui
- Perskaitykite ir išsaugokite šią naudojimo instrukciją ③

TECHNINĖS CHARAKTERISTIKOS ①

PRIETAISO ELEMENTA ②

- A** Jungiklis įjungimui/išjungimui ir greičiui valdyti
- B** Indikatorius (įkroviklis)
- C** Sukimo momento nustatymo žiedas
- D** Blokavimo padėtis (sankaba)
- E** Greičių perjungiklis
- F** Sukimosi krypties perjungiklis
- G** Greitai užveržiamas gręžimo patronas
- H** Ventilacinės angos
- J** Kroviklis

DARBO SAUGA

BENDROSIOŠ DARBO SAUGOS NUORODOS

⚠ DĖMESIO! Perskaitykite visas šias saugos nuorodas ir reikalavimus. Jei nepaisysite žemiau pateiktų saugos nuorodų ir reikalavimų, gali trenkti elektros smūgis, kilti gaisras ir/arba galite sunkiai susižaloti arba sužaloti kitus asmenis. **Išsaugokite šias saugos nuorodas ir reikalavimus, kad ir ateityje galėtumėte jas pasinaudoti.** Toliau pateiktame tekste vartojama sąvoka "elektrinis įrankis" apibūdina įrankius, maitinamus iš elektros tinklo (su maitinimo laidu), ir akumuliatorinius įrankius (be maitinimo laido).

1) DARBO VIETOS SAUGUMAS

- a) **Darbo vieta turi būti švari ir tvarkinga.**
Tinkama ar blogai apšviesta darbo vieta gali tapti nelaimingų atsitikimų priežastimi.
- b) **Nedirbkite tokioje aplinkoje, kur yra degių skysčių, dujų ar dulkių.** Elektriniai įrankiai gali kibirkščiuoti, o nuo kibirkščių dulkės arba susikaupę garai gali užsidegti.
- c) **Dirbdami su elektriniu įrankiu neleiskite šalia būti žiūrovams, vaikams ir lankytojams.** Nukreipę dėmesį į kitus asmenis galite nebesuvaldyti prietaiso.

2) ELEKTROSAUGA

- a) **Maitinimo laido kištukas turi atitikti tinklo rozetės tipą.** Kištuko jokių būdu negalima modifikuoti. **Nenaudokite jokių kištuko adapterių su žemintais prietaisais.** Originalūs kištukai, tiksliai tinkantys elektros tinklo rozetei, sumažina elektros smūgio pavojų.

- b) Venkite kūno kontakto su žemintais paviršiais, tokiais kaip vamzdžiai, šildytuvai, viryklės ar šaldytuvai. Egzistuoja padidinta elektros smūgio rizika, jei Jūs kūnas bus žemintas.
- c) **Saugokite prietaisą nuo lietaus ir drėgmės.** Jei vanduo patenka į elektrinį prietaisą, padidėja elektros smūgio rizika.
- d) **Nenaudokite maitinimo laido ne pagal paskirtį, t. y. neneškite prietaiso paėmę už laido, nekabinkite prietaiso už laido, netraukite už jo, norėdami išjungti kištuką iš rozetės. Laidą klokite taip, kad jo neveiktų karštis, jis neišsitemptų alyva ir jo nepažeistų aštrios detalės ar judančios prietaiso dalys.** Pažeisti arba susipynę laidai gali tapti elektros smūgio priežastimi.
- e) **Jeigu su elektriniu įrankiu dirbate lauke, naudokite tik tokius ilginimo kabelius, kurie tinka lauko darbams.** Naudojant lauko darbams pritaikytus ilginimo kabelius, sumažinamas elektros smūgio pavojus.
- f) **Jeigu su elektriniu įrankiu neišvengiamai reikia dirbti drėgnoje aplinkoje, naudokite žemimo grandinės pertraukiklį.** Naudojant žemimo grandinės pertraukiklį, sumažėja elektros smūgio pavojus.
- 3) ŽMONIŲ SAUGA**
- a) **Būkite atidūs, sutelkite dėmesį į tai, ką Jūs darote ir, dirbdami su elektriniu įrankiu, vadovaukitės sveiku protu. Nedirbkite su prietaisu, jei esate pavargę arba vartojote narkotikus, alkoholį ar medikamentus.** Akimirksniu neatidumas naudojant prietaisą gali tapti rimtų sužalojimų priežastimi.
- b) **Naudokite asmenines apsaugos priemones ir visuomet užsidėkite apsauginius akinius.** Naudojant asmenines apsaugos priemones, pvz., respiratorių ar apsauginę kaukę, neslystančius batus, apsauginį šalną, klausos apsaugos priemones ir kt., rekomenduojamas dirbant su tam tikros rūšies įrankiais, sumažėja rizika susižeisti.
- c) **Saugokitės, kad neįjungtumėte prietaiso atsitiktinai. Prieš prijungdami elektrinį įrankį prie elektros tinklo ir/arba akumulatoriaus, prieš pakeldami ar nešdami įsitikinkite, kad jis yra išjungtas.** Jeigu nešdami elektrinį įrankį pirštą laikysite ant jungiklio arba prietaisą įjungsite į elektros tinklą, kai jungiklis yra įjungtas, gali įvykti nelaimingas atsitikimas.
- d) **Prieš įjungdami prietaisą pašalinkite reguliavimo įrankius arba veržlių raktus.** Prietaiso besisukančioje dalyje esantis įrankis ar raktas gali tapti sužalojimų priežastimi.
- e) **Nepervertinkite savo galimybių. Dirbdami atsistokite patikimai ir visada išlaikykite pusiausvyrą.** Patikima stovėseną ir tinkamą kūno laikyseną leis geriau kontroliuoti prietaisą netikėtose situacijose.
- f) **Dėvėkite tinkamą aprangą. Nedėvėkite plačių drabužių ir papuošalų. Saugokite plaukus, drabužius ir pirštines nuo besisukančių prietaiso dalių.** Laisvus drabužius, papuošalus bei ilgus plaukus gali įtraukti besisukančios dalys.
- g) **Jeigu yra numatyta galimybė prijungti dulkių nusiurbimo ar surinkimo įrenginius, visada įsitikinkite, ar jie yra prijungti ir ar teisingai naudojami.** Naudojant dulkių nusiurbimo įrenginius sumažėja kenksmingas dulkių poveikis.
- 4) RŪPESTINGA ELEKTRINIŲ ĮRANKIŲ PRIEŽIŪRA IR NAUDOJIMAS**
- a) **Neperkraukite prietaiso. Naudokite Jūsų darbu tinkamą elektrinį įrankį.** Su tinkamu elektriniu įrankiu Jūs dirbsite geriau ir saugiau, jei neviršysite nurodyto galimumo.
- b) **Nenaudokite elektrinio įrankio su sugedusiu jungikliu.** Elektrinis įrankis, kurio nebegalima įjungti ar išjungti, yra pavojingas ir jį reikia remontuoti.
- c) **Prieš reguliuodami prietaisą, keisdami darbo įrankius ar prieš valydami prietaisą, iš elektros tinklo lizdo ištraukite kištuką ir/arba išimkite akumuliatorių.** Ši saugumo priemonė apsaugos jus nuo netikėto prietaiso įsijungimo.
- d) **Nenaudojamą prietaisą sandėliuokite vaikams ir nemokantiems juo naudotis asmenims neprieinamoje vietoje.** Elektriniai įrankiai yra pavojingi, kai juos naudoja nepatyrę asmenys.
- e) **Rūpestingai prižiūrėkite prietaisą. Tikrinkite, ar besisukančios prietaiso dalys tinkamai veikia ir niekur neklūva, ar nėra sulūžusių ar šiaip pažeistų dalių, kurios įtakotų prietaiso veikimą.** Prieš vėl naudojant prietaisą pažeistos prietaiso dalys turi būti suremontuotos. Daugelio nelaimingų atsitikimų priežastis yra blogai prižiūrimi elektriniai įrankiai.
- f) **Pjovimo įrankiai turi būti aštrūs ir švarūs.** Rūpestingai prižiūrėti pjovimo įrankiai su aštriomis pjaujamosiomis briaunomis mažiau stringa ir juos yra lengviau valdyti.
- g) **Elektrinį įrankį, papildomą įrangą, darbo įrankius ir t. t. naudokite taip, kaip nurodyta šioje instrukcijoje. Taip pat atsižvelkite į darbo sąlygas bei atliekamo darbo pobūdį.** Naudojant elektrinius įrankius ne pagal jų paskirtį galima sukelti pavojingas situacijas.
- 5) RŪPESTINGA AKUMULIATORINIŲ ĮRANKIŲ PRIEŽIŪRA IR NAUDOJIMAS**
- a) **Akumulatoriaus krovimui naudoti tik tuos įkroviklius, kuriuos rekomenduoja gamintojas.** Naudojant kitokio tipo akumulatoriams skirtą įkroviklį, kyla gaisro pavojus.
- b) **Su prietaisu galima naudoti tik jam skirtą akumuliatorių.** Naudojant kitokius akumulatorius atsiranda pavojus susižeisti bei sukelti gaisrą.
- c) **Nelaikykite sąvaržėlių, monetų, raktų, vinių, varžtų ar kitokių metalinių daiktų arti ištraukto iš instrumento akumulatoriaus kontakto.** Užtrumpinus akumulatoriaus kontaktus galima nusideginti ar sukelti gaisrą.
- d) **Netinkamai naudojant akumuliatorių, iš jo gali ištekti skystis. Venkite kontakto su šiuo skystičiu. Jei skystis pateko ant odos, nuplaukite jį vandeniu, jei pateko į akis - nedelsiant kreipkitės į gydytoją.** Akumulatoriaus skystis gali sukelti odos sudirginimą ar nudegimus.

6) APTARNAVIMAS

- a) **Prietaisą turi remontuoti tik kvalifikuotas specialistas ir naudoti tik originalias atsargines dalis.** Taip galima garantuoti, jog prietaisais išliks saugus.

DARBŲ SAUGOS NUORODOS DIRBANTIEMS SU AKUMULIATORINIAIS GREŽTUVAIS/SUKTUVAIS

- Saugokite, kad nepažeistumėte prietaiso į ruošinį esančius varžtus, vinius ir pan; prieš pradėdami darbą juos pašalinkite
- Patikrinkite, ar srovės šaltinio įtampa sutampa su įtampos dydžiu, nurodytu prietaiso vardinėje lentelėje (230 V ar 240 V pažymėtus instrumentus galima įjungti į 220 V įtampos tinklą)
- Jeigu pajutote, kad prietaisais veikia ne taip, kaip visada, arba girdisi nebūdingi garsai, tuojau pat jį išjunkite ir ištraukite kištuką iš elektros tinklo lizdo
- SKIL gali garantuoti neprikaištingą prietaiso veikimą tik tuo atveju, jei naudojama tinkama papildoma įranga ir priedai, kuriuos galite įsigyti įgaliotųjų SKIL atstovų parduotuvėse
- Leidžiama naudoti tik tokius įrankius, kurių maksimalus leistinas apsisukimų skaičius yra ne mažesnis, nei maksimalus Jūsų prietaiso sukčių skaičius
- Šį prietaisą turėtų naudoti tik asmenys, kuriems 16 ir daugiau metų
- **Saugiai laikykite tvirtinamą dirbinį** (dirbinį, kuris segamas ar kalamas kabių kalimo įrankiais, saugiau laikyti spaustuvu nei ranka)
- **Dirbdami ten, kur besisukantis įrankis galėtų kliudyti paslėptą laidą ar savo paties maitinimo laidą, laikykite prietaisą už izoliuotų rankenų** (dėl kontakto su laidininku, kuriuo teka elektros srovė, metalinėse prietaiso dalyse atsiranda įtampa ir naudotojas gali gauti elektros smūgį)
- **Naudodami tam skirtus paieškos prietaisus, patikrinkite, ar gręžimo vietoje nėra paslėptų komunalinių tinklų vamzdžių, arba pasikvieskite į pagalbą vietinius komunalinių paslaugų tiekėjus** (kontaktas su elektros laidais gali sukelti gaisro bei elektros smūgio pavojų; pažeidus dujotiekio vamzdį, gali įvykti sprogimas; pažeidus vandentiekio vamzdį, galima pridaryti daugybę nuostolių bei sukelti elektros smūgio pavojų)
- **Draudžiama apdirbti medžiagas, kurių sudėtyje yra asbesto** (asbestas pasižymi vėžą sukeliančiu poveikiu)
- Kai kurių medžiagų, kaip antai dažų, kurių sudėtyje yra švino, kai kurių medžių rūšių medienos, mineralų ir metalo dulksės gali būti kenksmingos (kontaktas su šiomis dulėmis arba įkvėptos dulksės gali sukelti operatoriui arba šalia esantiems žmonėms alergines reakcijas ir/arba kvėpavimo sistemos susirgimus); **mūvėkite priešdulkinę puskaukę arba dirbdami naudokite dulkių ištraukimo įrenginį, jei jį galima prijungti**

- Kai kurių rūšių dulksės priskiriamos kancerogeninėms (pvz., ažuolo arba buko medienos dulksės), ypač susimaišiusios su medienos taurinimui naudojamais priedais; **mūvėkite priešdulkinę puskaukę arba dirbdami naudokite dulkių ištraukimo įrenginį, jei jį galima prijungti**
- Vadovaukitės Jūsų šalyje taikomų direktyvų reikalavimais, skirtais medžiagoms, su kuriomis norite dirbti
- Prieš atliekant bet kokius prietaiso aptarnavimo darbus ar keičiant priedus, jį transportuojant ir sandėliuojant, būtina nustatyti sukimosi krypties perjungiklį F ② vidurinę padėtį (jungimo blokavimas)

ĮKROVIMAS/AKUMULIATORIAI

- Akumuliatorių įkraukite tik komplekte esančiu krovikliu
- Nelieskite kroviklio kontaktų
- Jokių būdu nepalikite prietaiso, akumuliatorių kroviklio ar akumuliatorių lietuje
- Patalpos, kurioje laikomas prietaisais, akumuliatorių kroviklis ar akumuliatorių, temperatūra neturi viršyti 40°C ir neturi būti žemesnė, nei 0°C
- Įmesti į ugnį akumuliatoriai sprogsta, jų nedeginkite jokiais smetimais
- Nenaudokite pažeistų ar sugedusių kroviklių; atneškite kroviklį patikrinti į įgaliotą SKIL įrankių taisyklą
- Jei elektros laidas arba kištukas yra pažeisti, nenaudokite kroviklio, bet pakeiskite laidą ar kištuką, arba kreipkitės į SKIL įgaliotą įrankių taisyklą
- Nenaudokite pažeistų akumuliatorių baterijų, jas būtina tuoj pat pakeisti
- Nemėginkite ardyti akumuliatorių baterijos ar kroviklio
- Nemėginkite akumuliatorių krovikliu krauti baterijų, kurias įkrauti draudžiama
- Ant įkroviklio/akumuliatoriaus esančių simbolių paaiškinimas
- ③ Prieš naudodami įrankį perskaitykite instrukcijų vadovą
- ④ Įkroviklį naudokite tik patalpoje
- ⑤ Dviguba izoliacija (įžeminimo laido nereikia)
- ⑥ Neteisingas įkroviklio jungties poliarškumas gali kelti pavojų (akumuliatorių kraukite tik patietu įkrovikliu)
- ⑦ Nemeskite kroviklio į buitinių atliekų konteinerius
- ⑧ Nemeskite bateriją į buitinių atliekų konteinerius
- ⑨ Nikelio/metalų hidrido technologija užtikrina daugiau energijos ir mažiau kenkia aplinkai

NAUDOJIMAS

- Baterijos įkrovimas ⑩
 - naujų prietaisų akumuliatoriai nėra įkrauti
 - įjunkite akumuliatorių kroviklį į elektros tinklą
 - užsidega indikatorius B
 - įstatykite akumuliatorių bateriją į kroviklį
 - indikatorius B pradeda mirksėti (⑩a)
 - po maždaug 2-3 valandų baterija bus įkrauta, tuomet indikatorius B nustos mirksėti ir ims šviesti pastoviai; tai reiškia, jog kroviklis automatiškai persijungė į palaikantįjį krovimo režimą (⑩b)
- ! **baigę krauti, iš karto išimkite bateriją iš kroviklio; tuomet ji ilgiau tarnaus**

SVARBI INFORMACIJA:

- jei įstačius akumuliatorių į kroviklį, indikatorius B nemirksi (10b), tai gali reikšti, jog:
 - 1) akumulatorius yra per šaltas arba per karštas (akumuliatorius gali būti įkraunamas tik tuo atveju, jei aplinkos temperatūra ne didesnė, nei 45°C bei ne žemesnė, nei 0°C); tuomet kroviklis automatiškai persijungia į palaikantįjį krovimo režimą tol, kol temperatūra sugrįš į normos ribas, o po to vėl persijungia į akumuliatoriaus įkrovimo režimą
 - 2) akumuliatorių reikia keisti
- krovimo metu akumuliatorius ir kroviklis įkaista; tai yra normalus reiškinys
- prieš įdėdami bateriją į kroviklį patikrinkite, ar jos paviršius švarus ir sausas
- nekraukite baterijos, jei aplinkos temperatūra didesnė, nei 40°C ar žemesnė, nei 0°C; galite sugadinti kroviklį ir bateriją
- draudžiama išimti bateriją iš veikiančio prietaiso
- ! **naujas arba ilgą laiką nenaudotas baterijos visą galimą išvystys tik po maždaug 5 įkrovimo/ iškrovimo ciklų**
- nereikia iš naujo krauti baterijos kiekvieną kartą trumpai padirbus su prietaisu, nes trumpėja jos tarnavimo laikas
- nikelio metalo hidrido baterijos negalima išmesti kartu su buitinėmis atliekomis, ją reikia atiduoti sunaikinimui ar perdirbimui pagal galiojančių įstatymų reikalavimus (apie tai primins simbolis 8)
- ! **prieš išmesdami bateriją apvyniokite jos galus, kad netycia nekiltų paviršinio nuotėkio srovė**
- jei ilgą laiką nenaudojate prietaiso, ištraukite baterijos kroviklio kištuką iš elektros lizdo
- Jungiklis A 2 yra skirtas įjungti ir išjungti prietaisą bei reguliuoti greitį
Stipriau ar silpniau spaudžiant jungiklį, apsisukimų skaičių galima sklandžiai reguliuoti nuo 0 iki maksimalaus
- Sukimosi krypties perjungiklis 11
 - kol šis perjungiklis neužsifiksavo kairėje arba dešinėje padėtyje, negalėsite nuspausti jungiklio A 2
- ! **sukimosi kryptį perjungti tik prietaisui visiškai sustojus**
- Antgalių pakeitimas 12
 - darbo antgalį įstatykite į gręžimo patroną kiek galima giliau
 - ! **nenaudokite antgalių su pažeistu kotu**
 - ! **naudokite tik aštrius antgalius**
- Sukimo momento reguliatorius (VariTorque) 13
 - gręžimo riboja suklio perduodamą sukimo momentą (26 sankaba padėčių)
 - sukimo momentas didėja, perstatant sankabos nustatymo žiedą C nuo 1-mos iki 25-tos padėties; padėtyje D sankaba yra užblokuojama - tuomet galima atlikti sunkius gręžimo ir varžtų sukimo darbus
 - sukdami varžtus pradėkite nuo VariTorque žiedo padėties 1 ir tik po to palaipsniui didinkite sukimo momentą, kol pasieksite pageidaujamą įsukimo gylį

- Mechaninis greičių perjungimas 13
 - perjungiklį E nustatykite norimam greičiui
 - ! **greičių perjungiklį leidžiama naudokite tik esant mažiems varklio sūkiams**
- DIDELĖ GALIA
 - didelis sukimo momentas
 - skirtas varžtams sukti ir didelio skersmens skylėms gręžti
 - sriegimui
- DIDELIS GREITIS
 - žemas sukimo momentas
 - skirtas mažo skersmens skylėms gręžti
- Akumuliatoriaus talpos indikatorius 14
Parodo, kiek įkrauto akumuliatoriaus talpos likę
- Prietaiso laikymas ir valdymas
 - ventiliacines angas H 2 laikykite neuždengtas
 - nespauskite prietaiso pernelyg stipriai; tegul prietaisas dirba už Jus

NAUDOJIMO PATARIMAI

- Gręžiant metalą
 - jei reikia gręžti didelio skersmens skylę, prieš tai išgręžkite mažą skylutę
 - retkarčiais patepkite grąžtą alyva
- Prieš sukant varžtą medinio ruošinio gale, visų pirma reikia išgręžti skylutę, kad medis nesuskiltų
- Norėdami pasiekti optimalius rezultatus, sukdami varžtą (ypač jį išsukdami) pastoviai laikykite prietaisą prispausta
- Sukant varžtą į kietmedį, prieš tai reikėtų išgręžti skylutę
- Vibracijos lygis
Vibracijos sklaidos lygis, nurodytas ant šio instrukcijų vadovo užpakalinio viršelio, išmatuotas pagal standartą EN 60745 išdėstytais standartiuzoto bandymo reikalavimus; ši vertė gali būti naudojama vienam įrankiui palyginti su kitu bei išankstiniam vibracijos poveikiui įvertinti, kai įrankis naudojamas paminėtais būdais
 - naudojant įrankį kitokiais būdais arba su kitokiais bei netinkamai prižiūrimais priedais, gali žymiai **padidėti** poveikio lygis
 - laikotarpiams, kai įrankis išjungtas arba yra įjungtas, tačiau juo nedirbama, gali žymiai **sumažėti** poveikio lygis
- ! **apsisaugokite nuo vibracijos poveikio prižiūredami įrankį ir jo priedus, laikydami rankas šiltai ir derindami darbo ciklus su pertraukėlimis**

PRIEŽIŪRA / SERVISAS

- Prižiūrėkite prietaisą ir kroviklį, kad jie visuomet būtų švarūs
 - baterijų kroviklio kontaktus geriausia valyti alkoholiu arba specialiu kontaktų valikliu
- ! **prieš valydami kroviklį ištraukite kištuką iš el. tinklo lizdo**

- Jeigu prietaisas/kroviklis, nepaisant gamykloje atliekamo kruopštaus gamybos ir kontrolės proceso, vis dėlto sugestų, jo remontas turi būti atliekamas įgaliotose SKIL elektrinių įrankių remonto dirbtuvėse
 - **neišardyta** prietaisą arba kroviklį kartu su pirkimo čekiu siųskite tiekėjui į artimiausią SKIL firmos įgaliotą elektros prietaisų techninio aptarnavimo tarnybą (adresus bei atsarginių dalių brėžinius rasite www.skileurope.com)

APLINKOSAUGA

- **Nemeskite elektrinių įrankių, papildomos įrangos ir pakuotės į buitinių atliekų konteinerius** (galioja tik ES valstybėms)
 - pagal ES Direktyvą 2002/96/EG dėl naudotų elektrinių ir elektroninių prietaisų atliekų utilizavimo ir pagal vietinius valstybės įstatymus atitarnavę elektriniai įrankiai turi būti surenkami atskirai ir gabenami į antrinių žaliavų tvarkymo vietas, kur jie turi būti sunaikinami ar perdirbami aplinkai nekenksmingu būdu
 - apie tai primins simbolis ⑦, kai reikės išmesti atitarnavusį prietaisą





- GB** **CE DECLARATION OF CONFORMITY** We declare under our sole responsibility that this product is in conformity with the following standards or standardized documents: EN 60 335, EN 60 745, EN 55 014, in accordance with the provisions of the directives 2006/95/EC, 2004/108/EC, 98/37/EC (until Dec. 28, 2009), 2006/42/EC (from Dec. 29, 2009 on).
NOISE/VIBRATION Measured in accordance with EN 60 745 the sound pressure level of this tool is 72 dB(A) (standard deviation: 3 dB) and the vibration < 2,5 m/s² (hand-arm method; uncertainty K = 1,5 m/s²).
Technical file at: SKIL Europe BV (PT-SEU/PJE), 4825 BD Breda, NL.
- F** **CE DÉCLARATION DE CONFORMITÉ** Nous déclarons sous notre propre responsabilité que ce produit est en conformité avec les normes ou documents normalisés suivants: EN 60 335, EN 60 745, EN 55 014, conforme aux réglementations 2006/95/CE, 2004/108/CE, 98/37/CE (jusqu'au 28.12.2009), 2006/42/CE (à partir du 29.12.2009).
BRUIT/VIBRATION Mesuré selon EN 60 745 le niveau de la pression sonore de cet outil est 72 dB(A) (déviati on standard: 3 dB) et la vibration < 2,5 m/s² (méthode main-bras; incertitude K = 1,5 m/s²).
Dossier technique auprès de: SKIL Europe BV (PT-SEU/PJE), 4825 BD Breda, NL.
- D** **CE KONFORMITÄTSEKTLÄRUNG** Wir erklären in alleiniger Verantwortung, daß dieses Produkt mit den folgenden Normen oder normativen Dokumenten übereinstimmt: EN 60 335, EN 60 745, EN 55 014, gemäß den Bestimmungen der Richtlinien 2006/95/EG, 2004/108/EG, 98/37/EG (bis 28.12.2009), 2006/42/EG (ab 29.12.2009).
GERÄUSCH/VIBRATION Gemessen gemäß EN 60 745 beträgt der Schalldruckpegel dieses Gerätes 72 dB(A) (Standard- abweichung: 3 dB) und die Vibration < 2,5 m/s² (Hand-Arm Methode; Unsicherheit K = 1,5 m/s²).
Technische Unterlagen bei: SKIL Europe BV (PT-SEU/PJE), 4825 BD Breda, NL.
- NL** **CE CONFORMITEITSVERKLARING** Wij verklaren, dat dit product voldoet aan de volgende normen of normatieve documenten: EN 60 335, EN 60 745, EN 55 014, overeenkomstig de bepalingen van de richtlijnen 2006/95/EG, 2004/108/EG, 98/37/EG (tot 28-12-2009), 2006/42/EG (vanaf 29-12-2009).
GELUID/VIBRATIE Gemeten volgens EN 60 745 bedraagt het geluidsrukniveau van deze machine 72 dB(A) (standaard deviatie: 3 dB) en de vibratie < 2,5 m/s² (hand-arm methode; onzekerheid K = 1,5 m/s²).
Technisch dossier bij: SKIL Europe BV (PT-SEU/PJE), 4825 BD Breda, NL.
- S** **CE KONFORMITETSFÖRKLARING** Vi intygar och ansvarar för, att denna produkt överensstämmer med följande norm och dokument: EN 60 335, EN 60 745, EN 55 014, enl. bestämmelser och riktlinjerna 2006/95/EG, 2004/108/EG, 98/37/EG (till 28.12.2009), 2006/42/EG (from 29.12.2009).
LJUD/VIBRATION Ljudtrycksnivån som uppmätts enligt EN 60 745 är på denna maskin 72 dB(A) (standard deviation: 3 dB) och vibration < 2,5 m/s² (hand-arm metod; onoggrannhet K = 1,5 m/s²).
Teknisk tillverkningsdokumentation finns hos: SKIL Europe BV (PT-SEU/PJE), 4825 BD Breda, NL.
- DK** **CE KONFORMITETSEKTLÆRING** Vi erklærer under almindeligt ansvar, at dette produkt er i overensstemmelse med følgende normer eller normative dokumenter: EN 60 335, EN 60 745, EN 55 014, i henhold til bestemmelserne i direktiverne 2006/95/EF, 2004/108/EF, 98/37/EF (indtil 28.12.2009), 2006/42/EF (fra 29.12.2009).
STØJ/VIBRATION Måles efter EN 60 745 er lydtrykniveau af dette værktøj 72 dB(A) (standard deviation: 3 dB) og vibrationsniveauet < 2,5 m/s² (hånd-arm metoden; usikkerhed K = 1,5 m/s²).
Teknisk dossier hos: SKIL Europe BV (PT-SEU/PJE), 4825 BD Breda, NL.
- N** **CE SAMSVARSEKTLÆRING** Vi erklærer at det er under vårt ansvar at dette produkt er i samsvar med følgende standarder eller standard- dokumenter: EN 60 335, EN 60 745, EN 55 014, i samsvar med reguleringer 2006/95/EF, 2004/108/EF, 98/37/EF (frem til 28.12.2009), 2006/42/EF (fra 29.12.2009).
STØY/VIBRASJON Målt ifølge EN 60 745 er lydtryknivået av dette verktøyet 72 dB(A) (standard deviasjon: 3 dB) og vibrasjonsnivået < 2,5 m/s² (hånd-arm metode; usikkerhet K = 1,5 m/s²).
Tekniske underlag hos: SKIL Europe BV (PT-SEU/PJE), 4825 BD Breda, NL.
- FIN** **CE TODISTUS STANDARDINMUKAISUUDESTA** Todistamme täten ja vastaamme yksin siitä, että nämä tuote en alluueteltujen standardien ja standardoimisasiakirjojen vaatimusten mukainen EN 60 335, EN 60 745, EN 55 014, seuraavien sääntöjen mukaisesti 2006/95/EY, 2004/108/EY, 98/37/EY (28.12.2009 asti), 2006/42/EY (29.12.2009 alkaen).
MELU/TÄRINÄ Mitattuna EN 60 745 mukaan työkalun melutaso on 72 dB(A) (keskihajonta: 3 dB) ja tärinän voimakkuus < 2,5 m/s² (käsi-käsivarsi metodi; epävarmuus K = 1,5 m/s²).
Tekninen tiedosto kohdasta: SKIL Europe BV (PT-SEU/PJE), 4825 BD Breda, NL.
- E** **CE DECLARACION DE CONFORMIDAD** Declaramos bajo nuestra sola responsabilidad que este producto está en conformidad con las normas o documentos normalizados siguientes: EN 60 335, EN 60 745, EN 55 014, de acuerdo con las regulaciones 2006/95/CE, 2004/108/CE, 98/37/CE (hasta el 28.12.2009), 2006/42/CE (a partir del 29.12.2009).
RUIDOS/VIBRACIONES Medido según EN 60 745 el nivel de la presión acústica de esta herramienta se eleva a 72 dB(A) (desviación estándar: 3 dB) y la vibración a < 2,5 m/s² (método brazo-mano; incertidumbre K = 1,5 m/s²).
Expediente técnico en: SKIL Europe BV (PT-SEU/PJE), 4825 BD Breda, NL.

- P** **CE DECLARAÇÃO DE CONFIRMIDADE** Declaramos sob nossa exclusiva responsabilidade que este producto cumpre as seguintes normas ou documentos normativos: EN 60 335, EN 60 745, EN 55 014, conforme as disposições das directivas 2006/95/CE, 2004/108/CE, 98/37/CE (até 28.12.2009), 2006/42/CE (a partir de 29.12.2009).
RUIDO/VIBRAÇÕES Medido segundo EN 60 745 o nível de pressão acústica desta ferramenta é 72 dB(A) (espaço de erro: 3 dB) e a vibração < 2,5 m/s² (método braço-mão; incerteza K = 1,5 m/s²).
Processo técnico em: SKIL Europe BV (PT-SEU/PJE), 4825 BD Breda, NL.
- I** **CE DICHIARAZIONE DI CONFORMITÀ** Dichiaro, assumendo la piena responsabilità di tale dichiarazione, che il prodotto è conforme alle seguenti normative e ai relativi documenti: EN 60 335, EN 60 745, EN 55 014 in base alle prescrizioni delle direttive 2006/95/EG, 2004/108/EG, 98/37/EG (fino al 28.12.2009), 2006/42/EG (a partire dal 29.12.2009).
RUMOROSITÀ/VIBRAZIONE Misurato in conformità al EN 60 745 il livello di pressione acustica di questo utensile è 72 dB(A) (deviazione standard: 3 dB) e la vibrazione < 2,5 m/s² (metodo mano-braccio; incerteza K = 1,5 m/s²).
Fascicolo tecnico presso: SKIL Europe BV (PT-SEU/PJE), 4825 BD Breda, NL.
- H** **CE MINŐSÉGI TANUSÍTVÁNY** Teljes felelősségünk tudatában kijelentjük, hogy jelen termék a következő szabványoknak vagy kötelező hatósági előírásoknak megfelel: EN 60 335, EN 60 745, EN 55 014, a 2006/95/EK, 2004/108/EK, 98/37/EK (2009.12.28-ig), 2006/42/EK (2009.12.29-től kezdve) előírásoknak megfelelően.
ZAJ/REZGÉS Az EN 60 745 alapján végzett mérések szerint ezen készülék hangnyomás szintje 72 dB(A) (normál eltérés: 3 dB) a rezgésszám < 2,5 m/s² (kézre-ható érték; szórás K = 1,5 m/s²).
A műszaki dokumentáció a következő helyen található: SKIL Europe BV (PT-SEU/PJE), 4825 BD Breda, NL.
- CZ** **CE STRVZUJÍCÍ PROHLÁŠENÍ** Potvrzujeme na odpovědnost, že tento výrobek odpovídá následujícím normám nebo normativním podkladům: EN 60 335, EN 60 745, EN 55 014, podle ustanovení směrnic 2006/95/ES, 2004/108/ES, 98/37/ES (do 28.12.2009), 2006/42/ES (od 29.12.2009).
HLUCNOSTI/VIBRACÍ Měřeno podle EN 60 745 činí tlak hlukové vlny tohoto přístroje 72 dB(A) (standardní odchylka: 3 dB) a vibrací < 2,5 m/s² (metoda ruka-paže; nepřesnost K = 1,5 m/s²).
Technická dokumentace u: SKIL Europe BV (PT-SEU/PJE), 4825 BD Breda, NL.
- TR** **CE STANDARDIZASYON BEYANI** Yeğane sorumlu olarak, bu ürünün aşağıdaki standartlara veya standart belgelerine uygun olduğunu beyan ederiz: EN 60 335, EN 60 745, EN 55 014, yönetmeliği hükümlerini uyarınca 2006/95/EG, 2004/108/EG, 98/37/EG (28.12.2009 tarihine kadar), 2006/42/EG (29.12.2009 tarihinden itibaren).
GÜRÜLTÜ/TİTREŞİM Ölçülen EN 60 745 göre ses basıncı bu makinanın seviyesi 72 dB(A) (standart sapma: 3 dB) ve titreşim < 2,5 m/s² (el-kol metodu; tolerans K = 1,5 m/s²).
Teknik belgelerin bulunduğu merkez: SKIL Europe BV (PT-SEU/PJE), 4825 BD Breda, NL.
- PL** **OŚWIADCZENIE ZGODNOŚCI CE** Niniejszym oświadczamy ponosząc osobistą odpowiedzialność, że produkt wykonany jest zgodnie z następującymi normami i dokumentami normalizującymi: EN 60 335, EN 60 745, EN 55 014, z godnie z wytycznymi 2006/95/EU, 2004/108/EU, 98/37/EU (do 28.12.2009), 2006/42/EU (od 29.12.2009).
HAŁASU/WIBRACJE Pomiarów dokonano zgodnie z normą EN 60 745 ciśnienie akustyczne narzędzia wynosi 72 dB(A) (poziom odchylenie: 3 dB), zaś vibracje < 2,5 m/s² (metoda dłoni-ręka; błąd pomiaru K = 1,5 m/s²).
Dokumentacja techniczna: SKIL Europe BV (PT-SEU/PJE), 4825 BD Breda, NL.
- RU** **ЗАЯВЛЕНИЕ О СООТВЕТСТВИИ CE** Мы с полной ответственностью заявляем, что это изделие соответствует следующим стандартам или стандартизованным документам: EN 60 335, EN 60 745, EN 55 014, в соответствии с инструкциями 2006/95/ЕС, 2004/108/EG, 98/37/ЕС (до 28.12.2009), 2006/42/EG (начиная с 29.12.2009).
ШУМНОСТИ/ВИБРАЦИИ При измерении в соответствии со стандартом EN 60 745 уровень звукового давления для этого инструмента составляет 72 дБ (А) (стандартное отклонение: 3 дБ), и вибрации < 2,5 м/с² (по методу для рук; недостоверность K = 1,5 м/с²).
Техническая документация у: SKIL Europe BV (PT-SEU/PJE), 4825 BD Breda, NL.
- UA** **CE ВІДПОВІДНІСТЬ CE** Ми заявляємо, що відповідність даного продукту наступним стандартам і регулюючим документам повністю нашою відповідальністю: EN 60 335, EN 60 745, EN 55 014, відповідно до положень директив 2006/95/EG, 2004/108/EG, 98/37/EG до 28.12.2009 р.), 2006/42/EG (після 29.12.2009 р.).
ШУМ/ВІБРАЦІЯ Зміряний відповідно до EN 60 745 рівень тиску звуку даного інструменту 72 дБ(А) (стандартне відхилення: 3 дБ) і вібрація < 2,5 м/с² (ручна методика; похибка K = 1,5 м/с²).
Технічні документи в: SKIL Europe BV (PT-SEU/PJE), 4825 BD Breda, NL.
- GR** **CE ΔΗΛΩΣΗ ΣΥΜΒΑΤΟΤΗΤΑΣ** Δηλώνουμε υπευθύνως ότι το προϊόν αυτό είναι κατασκευασμένο σύμφωνα με τους εξής κανονισμούς ή κατασκευαστικές συστάσεις: EN 60 335, EN 60 745, EN 55 014, κατά τις διατάξεις των κανονισμών της Κοινής Αγοράς 2006/95/ΕΚ, 2004/108/ΕΚ, 98/37/ΕΚ (έως 28.12.2009), 2006/42/ΕΚ (από 29.12.2009).
ΟΡΥΘΥΟ/ΚΡΑΔΑΣΜΟΣ Μετρημένη σύμφωνα με EN 60 745 η στάθμη ακουστικής πίεσης αυτού του εργαλείου ανέρχεται σε 72 dB(A) (κοινή απόκλιση: 3 dB) και ο κραδασμός σε < 2,5 m/s² (μεθοδος χειρός/βραχίονα - ανασφάλεια K = 1,5 m/s²).
Τεχνικός φάκελος από: SKIL Europe BV (PT-SEU/PJE), 4825 BD Breda, NL.

- RO** **DECLARAȚIE DE CONFORMITATE CE** Declarăm pe proprie răspundere că acest produs este conform cu următoarele standarde sau documente standardizate: EN 60 335, EN 60 745, EN 55 014, în conformitate cu regulile 2006/95/CE, 2004/108/CE, 98/37/CE (până la 28.12.2009), 2006/42/CE (începând cu 29.12.2009).
ZGOMOT/VIBRAȚII Măsurat în conformitate cu EN 60 745 nivelul de presiune a sunetului generat de acest instrument este de 72 dB(A) (abaterea standard: 3 dB) iar nivelul vibrațiilor < 2,5 m/s² (metoda mină - braț; incertitudine K = 1,5 m/s²).
Documentație tehnică la: SKIL Europe BV (PT-SEU/PJE), 4825 BD Breda, NL.
- BG** **СЕ ДЕКЛАРАЦИЯ ЗА СЪОТВЕТСТВИЕ** Декларираме на изцяло наша отговорност, че това изделие е съобразено със следните стандарти или стандартизирани документи: EN 60 335, EN 60 745, EN 55 014, в съответствие с нормативната уредба на 2006/95/EG, 2004/108/EG, 98/37/EG (до 28.12.2009), 2006/42/EG (от 29.12.2009).
ШУМ/ВИБРАЦИИ Измерено в съответствие с EN 60 745 нивото на звуково налягане на този инструмент е 72 dB(A) (стандартно отклонение: 3 dB) а вибрациите са < 2,5 m/s² (метод ръка-рамо; неопределеност K = 1,5 m/s²).
Подробни технически описания при: SKIL Europe BV (PT-SEU/PJE), 4825 BD Breda, NL.
- SK** **CE PREHLASENIE O ZHODE** Výhradne na našu vlastnú zodpovednosť prehlasujeme, že tento výrobok zodpovedá nasledujúcim normám alebo normovaným dokumentom: EN 60 335, EN 60 745, EN 55 014, v súlade s predpismi 2006/95/EG, 2004/108/EG, 98/37/EG (do 28.12.2009), 2006/42/EG (od 29.12.2009).
HLUKU/VIBRÁCIÁCH Meraný podľa EN 60 745 je úroveň akustického tlaku tohto nástroja 72 dB(A) (štandardná odchýlka: 3 dB) а vibrácie sú < 2,5 m/s² (metóda ruka - paža; nepresnosť K = 1,5 m/s²).
Súbor technickej dokumentácie sa nachádzajú na adrese: SKIL Europe BV (PT-SEU/PJE), 4825 BD Breda, NL.
- HR** **CE IZJAVA O USKLA ĐENOSTI** Izjavljujemo uz punu odgovornost da je ovaj proizvod usklađen sa slijedećim normama i normativnim dokumentima: EN 60 335, EN 60 745, EN 55 014, prema odredbama smjernica 2006/95/EG, 2004/108/EG, 98/37/EG (do 28.12.2009), 2006/42/EG (od 29.12.2009).
BUĆI/ VIBRACIJAMA Mjereno prema EN 60 745 prag zvučnog tlaka ovog električnog alata iznosi 72 dB(A) (standardna devijacija: 3 dB) а vibracija < 2,5 m/s² (postupkom na šaci-rući; nesigurnost K = 1,5 m/s²).
Tehnička dokumentacija se može dobiti kod: SKIL Europe BV (PT-SEU/PJE), 4825 BD Breda, NL.
- SRB** **CE IZJAVA O USKLA ĐENOSTI** Pod punom odgovornošću izjavljujemo da je ovaj proizvod usklađen sa sledećim standardima ili standardizovanim dokumentima: EN 60 335, EN 60 745, EN 55 014, u skladu sa odredbama smernica 2006/95/EG, 2004/108/EG, 98/37/EG (do 28.12.2009), 2006/42/EG (od 29.12.2009).
BUKA/VIBRACIJE Mereno u skladu sa EN 60 745 nivo pritiska zvuka ovog alata iznosi 72 dB(A) (normalno odstupanje: 3 dB) а vibracija < 2,5 m/s² (mereno metodom na šaci-rući; nesigurnost K = 1,5 m/s²).
Tehnička dokumentacija kod: SKIL Europe BV (PT-SEU/PJE), 4825 BD Breda, NL.
- SLO** **IZJAVA O USTREZNOSTI CE** Odgovorno izjavljamo, da je ta izdelek v skladu z naslednjimi standardi ali standardnimi dokumenti: EN 60 335, EN 60 745, EN 55 014, v skladu s predpisi navodil 2006/95/ES, 2004/108/ES, 98/37/ES (do 28.12.2009), 2006/42/ES (od 29.12.2009).
HRUP/VIBRACIJA Izmerjeno v skladu s predpisom EN 60 745 je raven zvočnega pritiska za to orodje 72 dB(A) (standarden odmik: 3 dB) in vibracija < 2,5 m/s² (metoda "dlan-roka"; netočnost K = 1,5 m/s²).
Tehnična dokumentacija se nahaja pri: SKIL Europe BV (PT-SEU/PJE), 4825 BD Breda, NL.
- EST** **CE VASTAVUSDEKLARATSIOON** Kinnitame ainuvastutajana, et see toode vastab järgmistele standarditele või normdokumentidele: EN 60 335, EN 60 745, EN 55 014 vastavalt direktiivide 2006/95/EÜ, 2004/108/EÜ, 98/37/EÜ (kuni 28.12.2009), 2006/42/EÜ (alates 29.12.2009) nõuetele.
MÜRA/VIBRATSIOON Vastavalt kooskõlas normiga EN 60 745 läbi viiidud mõõtmistele on antud seadme helirõhk 72 dB(A) (standardkõrvalekalle: 3 dB) ja vibratsioon < 2,5 m/s² (käe-randme-meetod; mõõtemääramatus K = 1,5 m/s²).
Tehniline toimik saadaval aadressil: SKIL Europe BV (PT-SEU/PJE), 4825 BD Breda, NL.
- LV** **CE DEKLARACIJA PAR ATBILSTĪBU STANDARTIEM** Mēs ar pilnu atbildību paziņojam, ka šis izstrādājums atbilst standartiem vai standartizācijas dokumentiem EN 60 335, EN 60 745, EN 55 014 un ir saskaņā ar direktīvām 2006/95/ES, 2004/108/ES, 98/37/ES (līdz 28.12.2009) un 2006/42/ES (no 29.12.2009).
TROKŠNIS/VIBRĀCIJA Saskaņā ar standartu EN 60 745 noteiktais instrumenta radītā trokšņa skaņas spiediena līmenis ir 72 dB(A) (pie tipiskās izkliedes: 3 dB) un vibrācijas intensitāte ir < 2,5 m/s² (strādājot rokas režīmā; izkliede K = 1,5 m/s²).
Tehniskā lieta no: SKIL Europe BV (PT-SEU/PJE), 4825 BD Breda, NL.
- LT** **CE ATITIKTIKYS DEKLARACIJA** Mes atsakingai pareiškiame, kad šis gaminyus atitinka tokius standartus ir normatyvinius dokumentus: EN 60 335, EN 60 745, EN 55 014 pagal reglamentų 2006/95/EB, 2004/108/EB, 98/37/EB (iki 2009-12-28), 2006/42/EB (nuo 2009-12-29) nuostatas.
TRIUKŠMINGUMAS/VIBRACIJA Šio prietaiso triukšmingumas buvo išmatuotas pagal EN 60 745 reikalavimus keliamo triukšmo garso slėgio lygis siekia 72 dB(A) (standartinis nuokrypis: 3 dB) ir vibracijos pagreitis rankos plaštakos srityje tipiniu atveju yra mažesnis, kaip < 2,5 m/s² (paklauida K = 1,5 m/s²).
Techninė byla laikoma: SKIL Europe BV (PT-SEU/PJE), 4825 BD Breda, NL.

